



RAYCHEM

TE Internal #: 466338-000

Screened, Backshell, Aluminum Alloy, Straight, Shell Size 02,
Ferrule / HexaShield Termination[View on TE.com >](#)

Connectors > Connector Accessories > Connector Backshells

Connector Backshell Product Style: **Screened**Connector Backshell Product Type: **Backshell**Primary Product Material: **Aluminum Alloy**Body Orientation: **Straight**Compatible With Connector Shell Size: **02****Features****Product Type Features**

Connector Backshell Product Style	Screened
Connector Backshell Product Type	Backshell
Sealable	Yes
Termination Device Type	Ferrule, HexaShield

Body Features

Primary Product Material	Aluminum Alloy
Primary Product Plating Material	Cadmium (SAE AMS-QQ-P-416, Type II, Class 3)

Contact Features

Primary Product Underplating Material	Suitable Material per SAE-AS85049 (500 Hour Salt Spray)
---------------------------------------	---

Housing Features

Body Orientation	Straight
Compatible With Connector Shape	Circular

Operation/Application

Compatible With Connector Shell Size	02
--------------------------------------	----

Product Compliance[For compliance documentation, visit the product page on TE.com>](#)



EU RoHS Directive 2011/65/EU	Not Compliant
EU ELV Directive 2000/53/EC	Not Compliant
China RoHS 2 Directive MIIT Order No 32, 2016	Restricted Materials Above Threshold
EU REACH Regulation (EC) No. 1907/2006	<p>Current ECHA Candidate List: JUNE 2024 (241)</p> <p>Candidate List Declared Against: JUNE 2023 (235)</p> <p>SVHC > Threshold:</p> <p>Cd (3% in Plating)</p> <p>Pb (.3% in Backshell)</p> <p>Article Safe Usage Statements: Use personal protective equipment as required. Do not eat, drink or smoke when using this product. Wash thoroughly after handling. Recycle if possible and dispose of the article by following all applicable governmental regulations relevant to your geographic location.</p>
Halogen Content	Low Halogen - Br, Cl, F, I < 900 ppm per homogenous material. Also BFR/CFR/PVC Free
Solder Process Capability	Not applicable for solder process capability


Product Compliance Disclaimer

This information is provided based on reasonable inquiry of our suppliers and represents our current actual knowledge based on the information they provided. This information is subject to change. The part numbers that TE has identified as EU RoHS compliant have a maximum concentration of 0.1% by weight in homogenous materials for lead, hexavalent chromium, mercury, PBB, PBDE, DBP, BBP, DEHP, DIBP, and 0.01% for cadmium, or qualify for an exemption to these limits as defined in the Annexes of Directive 2011/65/EU (RoHS2). Finished electrical and electronic equipment products will be CE marked as required by Directive 2011/65/EU. Components may not be CE marked. Additionally, the part numbers that TE has identified as EU ELV compliant have a maximum concentration of 0.1% by weight in homogenous materials for lead, hexavalent chromium, and mercury, and 0.01% for cadmium, or qualify for an exemption to these limits as defined in the Annexes of Directive 2000/53/EC (ELV). Regarding the REACH Regulation, the information TE provides on SVHC in articles for this part number is based on the latest European Chemicals Agency (ECHA) 'Guidance on requirements for substances in articles' posted at this URL: <https://echa.europa.eu/guidance-documents/guidance-on-reach>

Customers Also Bought



TE Part #425030-000
HEX40-AC-45-23-A13-1



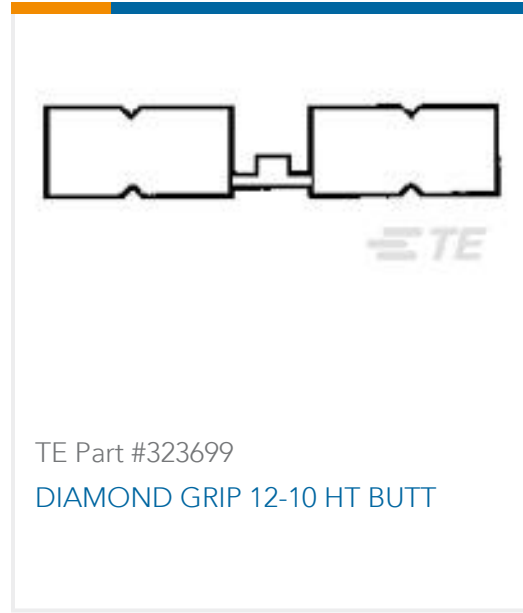
TE Part #451385-000
D-500-0467-2-613-079



TE Part #EG9627-000
D-200-86



TE Part #930607-000
HEXA6-AC-00-02-A18-1



Documents

Product Drawings

[HEXA6-AB-00-02-A25-1](#)

English

Datasheets & Catalog Pages

[HexaShield High Performance Adapters](#)

English