



Connectors > Connector Accessories > Connector Backshells > Circular Connector Backshells & Clamps



Connector Backshell Product Style: **Screened**

Connector Backshell Product Type: **Backshell**

Primary Product Material: **303 Stainless Steel**

Body Orientation: **45°**

Compatible With Connector Shell Size: **13**

## Features

### Product Type Features

Connector Backshell Product Style	Screened
Connector Backshell Product Type	Backshell
Sealable	Yes
Termination Device Type	Ferrule, HexaShield

### Body Features

Primary Product Material	303 Stainless Steel
Primary Product Plating Material	Electroless Nickel (SAE AMS-C-26074, Class 1, Grade B), Electroless Nickel per AMS-C-26074 Class 3 or 4, Grade B

### Housing Features

Body Orientation	45°
Compatible With Connector Shape	Circular

### Usage Conditions

Operating Temperature Range	-65 – 200 °C[-85 – 392 °F]
-----------------------------	----------------------------

### Operation/Application

Compatible With Connector Shell Size	13
--------------------------------------	----

### Other

Connector Interface Specification	MIL-DTL-83723 / SERIES III
TE Connector Interface Code	54



## Product Compliance

[For compliance documentation, visit the product page on TE.com>](#)

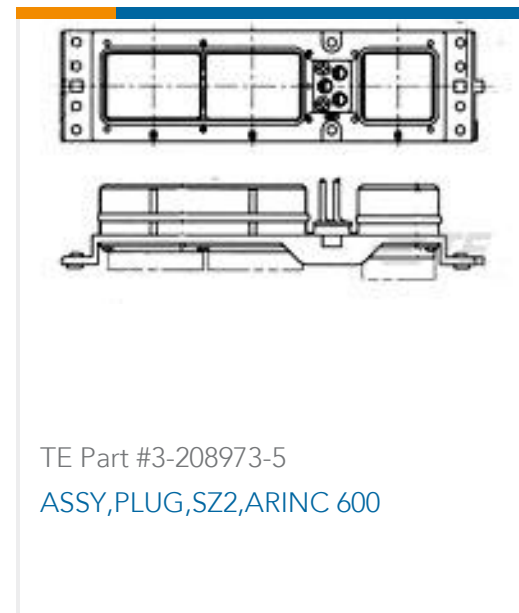
EU RoHS Directive 2011/65/EU	Compliant
EU ELV Directive 2000/53/EC	Compliant
China RoHS 2 Directive MIIT Order No 32, 2016	No Restricted Materials Above Threshold
EU REACH Regulation (EC) No. 1907/2006	<p>Current ECHA Candidate List: JUNE 2024 (241)</p> <p>Candidate List Declared Against: JAN 2024 (240)</p> <p>SVHC &gt; Threshold: Pb (.3% in BODY &amp; NUT)</p> <p><b>Article Safe Usage Statements:</b> Do not eat, drink or smoke when using this product. Wash thoroughly after handling. Recycle if possible and dispose of the article by following all applicable governmental regulations relevant to your geographic location.</p>
Halogen Content	Low Halogen - Br, Cl, F, I < 900 ppm per homogenous material. Also BFR/CFR/PVC Free
Solder Process Capability	Not applicable for solder process capability

### Product Compliance Disclaimer

This information is provided based on reasonable inquiry of our suppliers and represents our current actual knowledge based on the information they provided. This information is subject to change. The part numbers that TE has identified as EU RoHS compliant have a maximum concentration of 0.1% by weight in homogenous materials for lead, hexavalent chromium, mercury, PBB, PBDE, DBP, BBP, DEHP, DIBP, and 0.01% for cadmium, or qualify for an exemption to these limits as defined in the Annexes of Directive 2011/65/EU (RoHS2). Finished electrical and electronic equipment products will be CE marked as required by Directive 2011/65/EU. Components may not be CE marked. Additionally, the part numbers that TE has identified as EU ELV compliant have a maximum concentration of 0.1% by weight in homogenous materials for lead, hexavalent chromium, and mercury, and 0.01% for cadmium, or qualify for an exemption to these limits as defined in the Annexes of Directive 2000/53/EC (ELV). Regarding the REACH Regulation, the information TE provides on SVHC in articles for this part number is based on the latest European Chemicals Agency (ECHA) 'Guidance on requirements for substances in articles' posted at this URL: <https://echa.europa.eu/guidance-documents/guidance-on-reach>

## Customers Also Bought

<p>TE Part #828807-000 55PC1131-16-3/6/9-9</p>	<p>TE Part #YDTS26W21-39SAV001 PLUG ASSY</p>	<p>TE Part #CP3776-000 HEX40-AC-45-15-A5-2</p>	<p>TE Part #CM6244-000 HEX40-KC-45-13-A3-1</p>
--	--	--	--



## Documents

### Product Drawings

[HEX54-AC-45-13-A3-1](#)

English

### CAD Files

[3D PDF](#)

3D

Customer View Model

[ENG\\_CVM\\_CVM\\_248942-000\\_O.2d\\_dxf.zip](#)

English

Customer View Model

[ENG\\_CVM\\_CVM\\_248942-000\\_O.3d\\_igs.zip](#)

English

Customer View Model

[ENG\\_CVM\\_CVM\\_248942-000\\_O.3d\\_stp.zip](#)

English

By downloading the CAD file I accept and agree to the [Terms and Conditions](#) of use.

### Datasheets & Catalog Pages

[HexaShield High Performance Adapters](#)

English