



Connectors > Connector Accessories > Connector Backshells



Connector Backshell Product Style: **Unscreened**

Connector Backshell Product Type: **Backshell**

Primary Product Material: **Aluminum Alloy**

Body Orientation: **Right Angle**

Connector Interface Specification: **MIL-C-38999 Series III & IV**

## Features

### Product Type Features

Connector Backshell Product Style	Unscreened
Connector Backshell Product Type	Backshell

### Body Features

Primary Product Material	Aluminum Alloy
Primary Product Plating Material	Cadmium

### Contact Features

Primary Product Underplating Material	Electroless Nickel
---------------------------------------	--------------------

### Housing Features

Body Orientation	Right Angle
Compatible With Connector Shape	Circular

### Dimensions

Product Length	25.7 mm[1.01 in]
----------------	------------------

### Other

Connector Interface Specification	MIL-C-38999 Series III & IV
-----------------------------------	-----------------------------

## Product Compliance

[For compliance documentation, visit the product page on TE.com>](#)

EU RoHS Directive 2011/65/EU	Not Compliant
EU ELV Directive 2000/53/EC	Not Compliant



<p>China RoHS 2 Directive MIIT Order No 32, 2016</p>	<p>Restricted Materials Above Threshold</p>
<p>EU REACH Regulation (EC) No. 1907/2006</p>	<p>Current ECHA Candidate List: JUNE 2024 (241)                  Candidate List Declared Against: JAN 2024 (240)                  SVHC &gt; Threshold:                  Cd (3% in Plating)                  Pb (.3% in Backshell)  <b>Article Safe Usage Statements:</b>                  Use personal protective equipment as required. Do not eat, drink or smoke when using this product. Wash thoroughly after handling. Recycle if possible and dispose of the article by following all applicable governmental regulations relevant to your geographic location.</p>
<p>Halogen Content</p>	<p>Low Halogen - Br, Cl, F, I &lt; 900 ppm per homogenous material. Also BFR/CFR/PVC Free</p>
<p>Solder Process Capability</p>	<p>Not applicable for solder process capability</p>

Product Compliance Disclaimer

This information is provided based on reasonable inquiry of our suppliers and represents our current actual knowledge based on the information they provided. This information is subject to change. The part numbers that TE has identified as EU RoHS compliant have a maximum concentration of 0.1% by weight in homogenous materials for lead, hexavalent chromium, mercury, PBB, PBDE, DBP, BBP, DEHP, DIBP, and 0.01% for cadmium, or qualify for an exemption to these limits as defined in the Annexes of Directive 2011/65/EU (RoHS2). Finished electrical and electronic equipment products will be CE marked as required by Directive 2011/65/EU. Components may not be CE marked. Additionally, the part numbers that TE has identified as EU ELV compliant have a maximum concentration of 0.1% by weight in homogenous materials for lead, hexavalent chromium, and mercury, and 0.01% for cadmium, or qualify for an exemption to these limits as defined in the Annexes of Directive 2000/53/EC (ELV). Regarding the REACH Regulation, the information TE provides on SVHC in articles for this part number is based on the latest European Chemicals Agency (ECHA) 'Guidance on requirements for substances in articles' posted at this URL: <https://echa.europa.eu/guidance-documents/guidance-on-reach>

## Customers Also Bought



TE Part #DT04-2P  
REC, 2P, GRY, N



TE Part #DT06-2S  
PLG, 2P, GRY, N



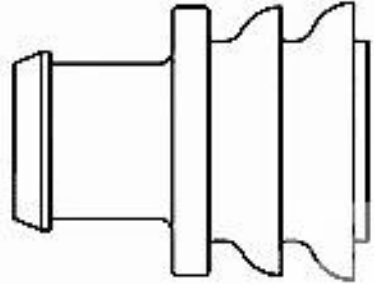
TE Part #W2S  
Wedgelocks: DEUTSCH DT



TE Part #0460-202-16141  
DEUTSCH Solid Contacts



TE Part #282104-1  
AMP SUPERSEAL 1.5MM,  
CONNECTOR HOUSING



TE Part #281934-2  
SINGLE WIRE SEAL



TE Part #114017-ZZ  
SEALING PLUG, SIZE 12/16, WHT



## Documents

### Product Drawings

[HEX40-AB-90-19-A7-1](#)

English

---

### CAD Files

[3D PDF](#)

3D

Customer View Model

[ENG\\_CVM\\_CVM\\_094711-000\\_O.2d\\_dxf.zip](#)

English

Customer View Model

[ENG\\_CVM\\_CVM\\_094711-000\\_O.3d\\_igs.zip](#)

English

Customer View Model

[ENG\\_CVM\\_CVM\\_094711-000\\_O.3d\\_stp.zip](#)

English

By downloading the CAD file I accept and agree to the [Terms and Conditions](#) of use.

---

### Datasheets & Catalog Pages

[HexaShield High Performance Adapters](#)

English

---

### Product Specifications

[Specification for HexaShield Adapters for Circular Connectors](#)

English