

EMI-shielded vertical plastic housing for standard cables HDRA-E68LGKP()

Vertical housing

EMI shielded

ANSI/SFF8441

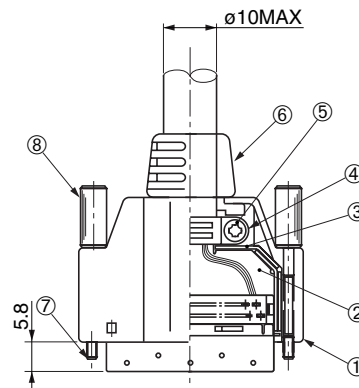
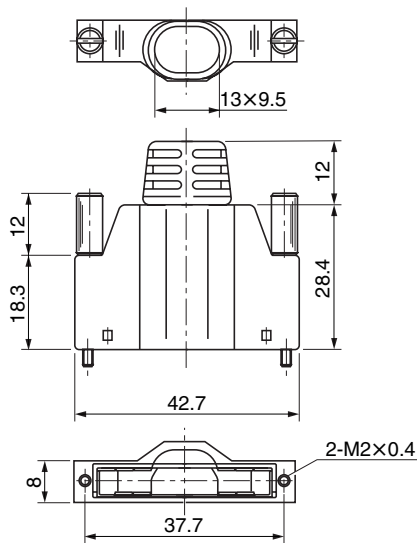


● Configuration of product Part No.

HDRA- E 68 LGKP ()

- ① Series name
 - ② No. of contacts: 68
 - ③ A: Vertical cable holding type
C: Vertical ultrasonic welding type
E: Vertical ultrasonic welding type
F: Vertical ultrasonic welding type
- Outside diameter of cable is shown in the dimension table.

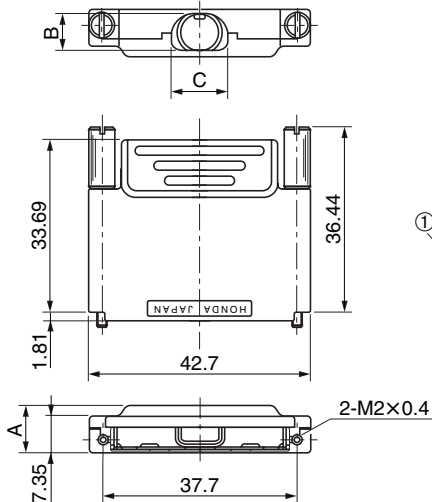
HDRA-E68LGKPA



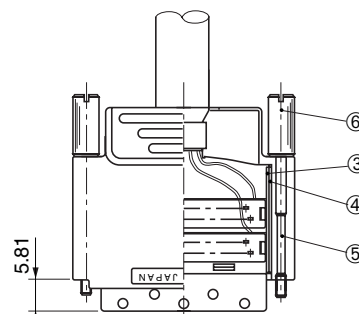
● Components

①	Cover
②	Inner shell A
③	Inner shell B
④	Cable clamp
⑤	Screw
⑥	Bushing
⑦	Thumb screw
⑧	Cap

HDRA-E68LGKPC,LGKPE,LGKPF



The following figure shows HDRA-E68LGKPF.



● Components

①	Cover A
②	Cover B
③	Shell A
④	Shell B
⑤	Thumb screw
⑥	Cap

Part No.	A	B	C
HDRA-E68LGKPC	11.5	9.5	10.5x9.5
HDRA-E68LGKPE	9.5	7.5	10.5
HDRA-E68LGKPF	9	7.2	

For use with connectors: HDR series IDC type cable connector : -LGKPA for MA, -LGKPC/-LGKPE for MA1, and -LGKPF for MC1

Required tools (for LGKPC, LGKPE and LGKPF):Clamp caulking tools: FLPT-0017B (Refer to page Tool-8)

Ultrasonic welder, Housing holding jig, Sonic welder