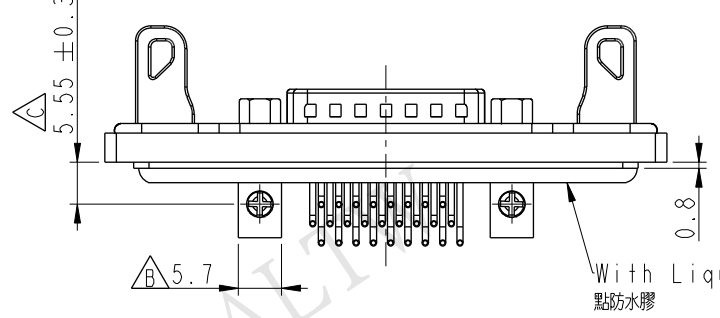
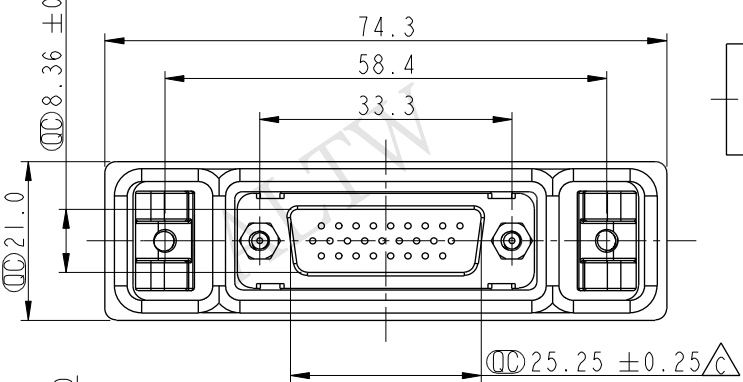
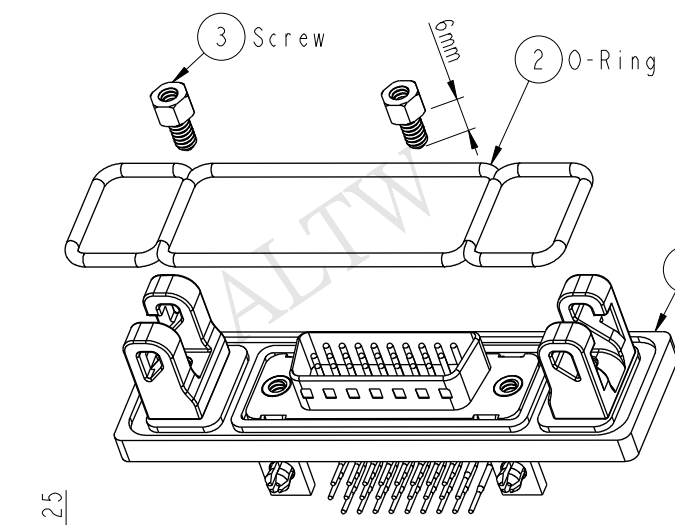


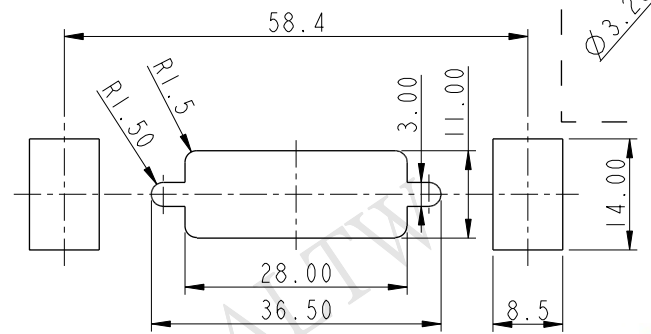
THIS DOCUMENT IS SUBJECT TO CHANGE WITHOUT NOTICE. IT IS CONFIDENTIAL AND A PROPERTY OF Amphenol LTW. DISCLOSURE TO THIRD PARTY HAS TO BE AUTHORIZED BY Amphenol LTW.

REV.	ECN NO.	DATE	SIGN	DESCRIPTION
B	LEN1390202	2013/09/02	Lu Di	Update Dimension
C	LEN1490286	2014/09/16	Vicky	Update Dimension

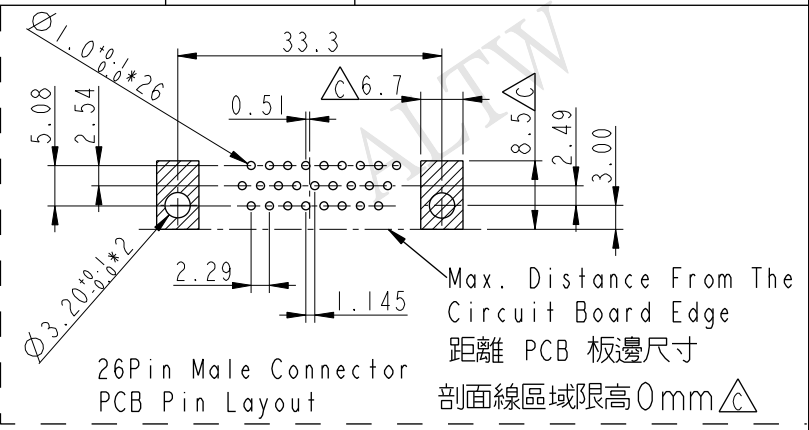
**ALTW**  
**CONFIDENTIAL**  
 2014-09-16  
**R&D DEPT.**



PANEL THICKNESS  
Screw L=6.0 For Panel Thickness Between 1.2~2.0mm

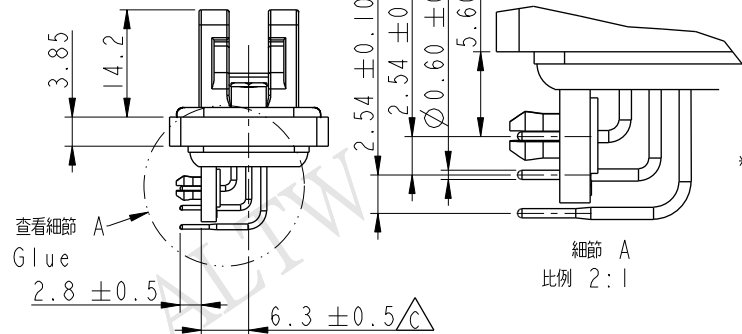


RECOMMENDED PANEL CUT-OUT



- Note:
- \*  $\varnothing$  Important Dimension.
  - \* Waterproof Rate: IP68  
IP68: 1M of depth of water 24 hours
  - \* Material:  
Panel: Zinc  
Panel Link: Zinc  
Screw: Stainless, #4-40 UNC  
O-Ring: Silicone, Black  
Insulator: PBT  
Shell: Cold Rolled Steel  
Contact: Copper Alloy  
Board Lock: Copper Alloy
  - \* Finish:  
Panel: Nickel Plated  
Panel Link: Nickel Plated  
Board Lock: Nickel Plated  
Shell: Nickel Plated  
Contact: Gold Flash

**ALTW**  
**DCC DEPT.**  
**CONFIDENTIAL**  
 2014.09.19  
**ISSUED**



UNIT: mm

TOLERANCE	
.X	±0.25
.XX	±0.1
.XXX	±0.05
ANGLES	±1°

TITLE D-SUB CONN PANEL QUICK HD26P M CONN M PIN			
SCALE 1:1	SIZE A4	SHEET 1 OF 1	
REV. C	WC-REV. A.3	$\varnothing$ : Inspection item	

**Amphenol LTW**  
**安費諾亮泰企業股份有限公司**

ITEM NO. HDB-26PMMP-QB8001	DRAWN BY Vicky	DATE 2014-09-16
DWG NO. HDB-26PMMP-QB8001	CHECKED BY Sam	DATE 2014-09-16
CUSTOMER ALTW	APPROVED BY Rita	DATE 2014-09-16

A

F

E

D

C

B

A

2

3

4

5

6

7

8

FWW10702-01-02A1