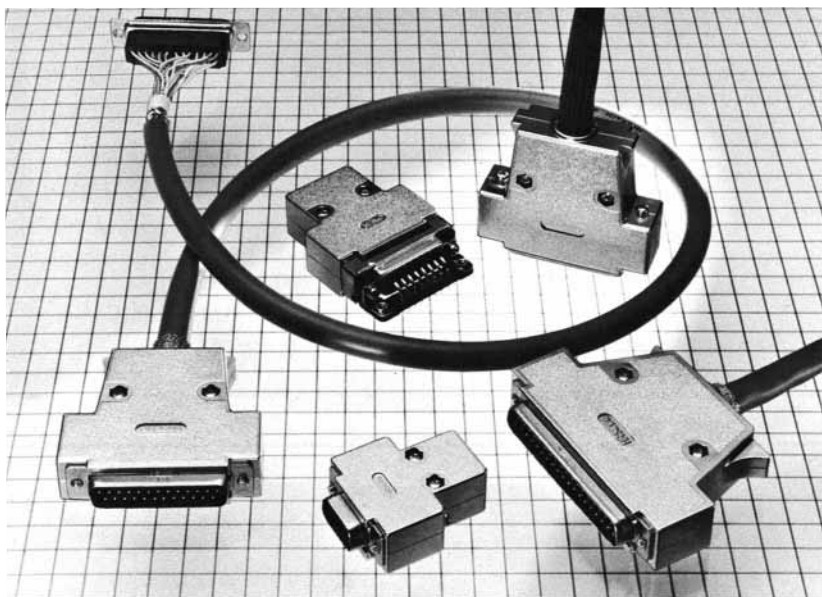


# CTH SERIES METALIZED PLASTIC “D” SUBMINIATURE SHELL

## General

The HIROSE "CTH" plug cases are made of plated plastic for achieve high shielding effectiveness. 9, 15, 25 and 37-contact models are available. Suitable for

protecting the interfaces between units from electro-magnetic interference.



## Features

- (1) Standard screw type locking mechanism provides a strong and secure lock.
- (2) Plated ABS resin enable shell to be lightweight and strong with excellent shielding characteristics (ABS resin UL94HB/plating UL746C)
- (3) Enhanced shielding effectiveness by clamping the cable shielding part with two types of clamps sandwiched between the plug cases.
- (4) The clamp has a screw to ground the drain wire. Can easily in corporate soldering (HD), ribbon cable type (FD) and crimping (CD).

## Applications

Computers, peripherals and terminals, control equipment, and measuring instruments.

## Material and Finish

Parts	Materials	Finish
Plug Case	ABS	Chrome plated over nickel plated

## Ordering Informations

### Plug Case

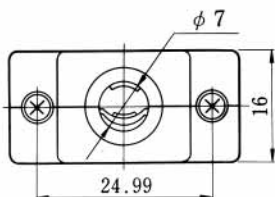
H D
B
-
C T
H
1
(4-40)
(10)

(1)    (2)            (3)    (4)    (5)    (6)

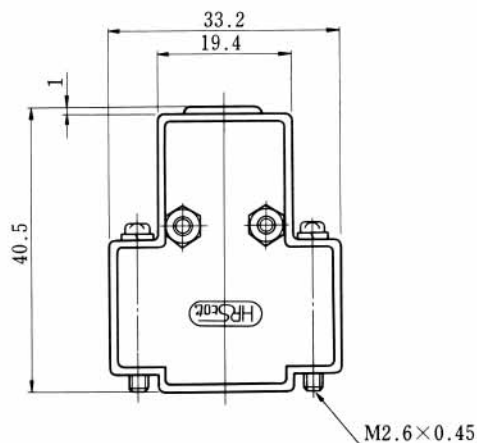
- (1) Series Name
- (2) Connector size: E (9 contacts), A (15 contacts), B (25 contacts), C (37 contacts)  
 Note: Not available for 50pos. cover.
- (3) Type of plug case  
 CT: With vertical cable inlet opening
- (4) Serial sign for series  
 H: Plug case made of plated plastic
- (5) No sign: Lock screw to be driven with screwdriver  
 1: Hand-driven lock screw
- (6) No sign: M2.6  
 (4-40): Inch



HDE-CTH (10)

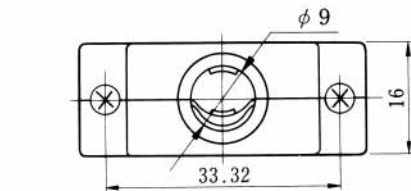


HRS No	Part No.	RoHS
CL211-0276-1-10	HDE-CTH (10)	YES
CL211-0309-9-10	HDE-CTH (4-40) (10)	
CL211-0621-8-10	HDE-CTH1 (10)	
CL211-0865-2-10	HDE-CTH1 (4-40) (10)	

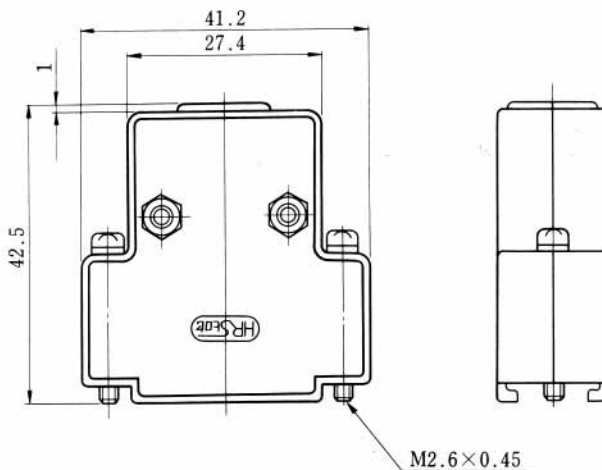




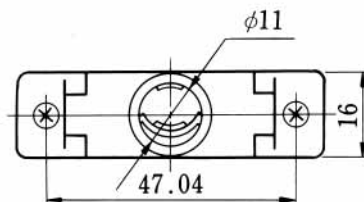
HDA-CTH (10)



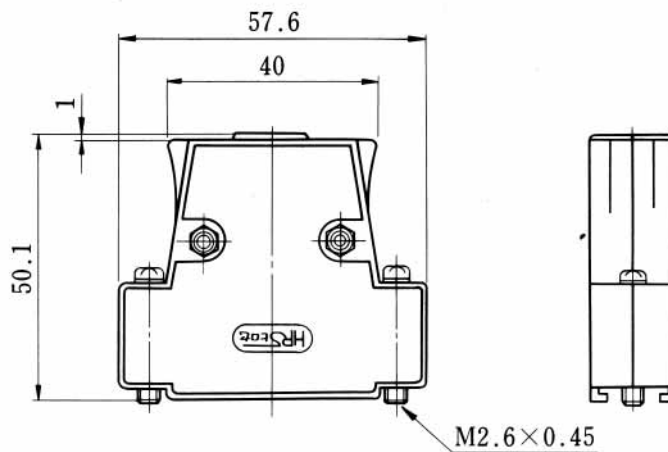
HRS No	Part No.	RoHS
CL211-0277-4-10	HDA-CTH (10)	YES
CL211-0346-5-10	HDA-CTH (4-40) (10)	
CL211-0622-0-10	HDA-CTH1 (10)	
CL211-0882-1-10	HDA-CTH1 (4-40) (10)	



HDB-CTH (10)



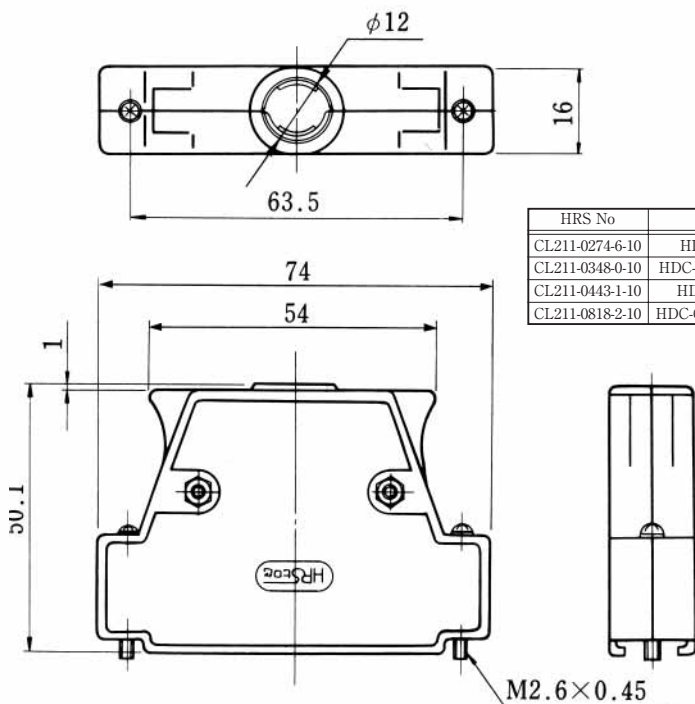
HRS No	Part No.	RoHS
CL211-0278-7-10	HDB-CTH (10)	YES
CL211-0347-8-10	HDB-CTH (4-40) (10)	
CL211-0306-0-10	HDB-CTH1 (10)	
CL211-0532-0-10	HDB-CTH1 (4-40) (10)	



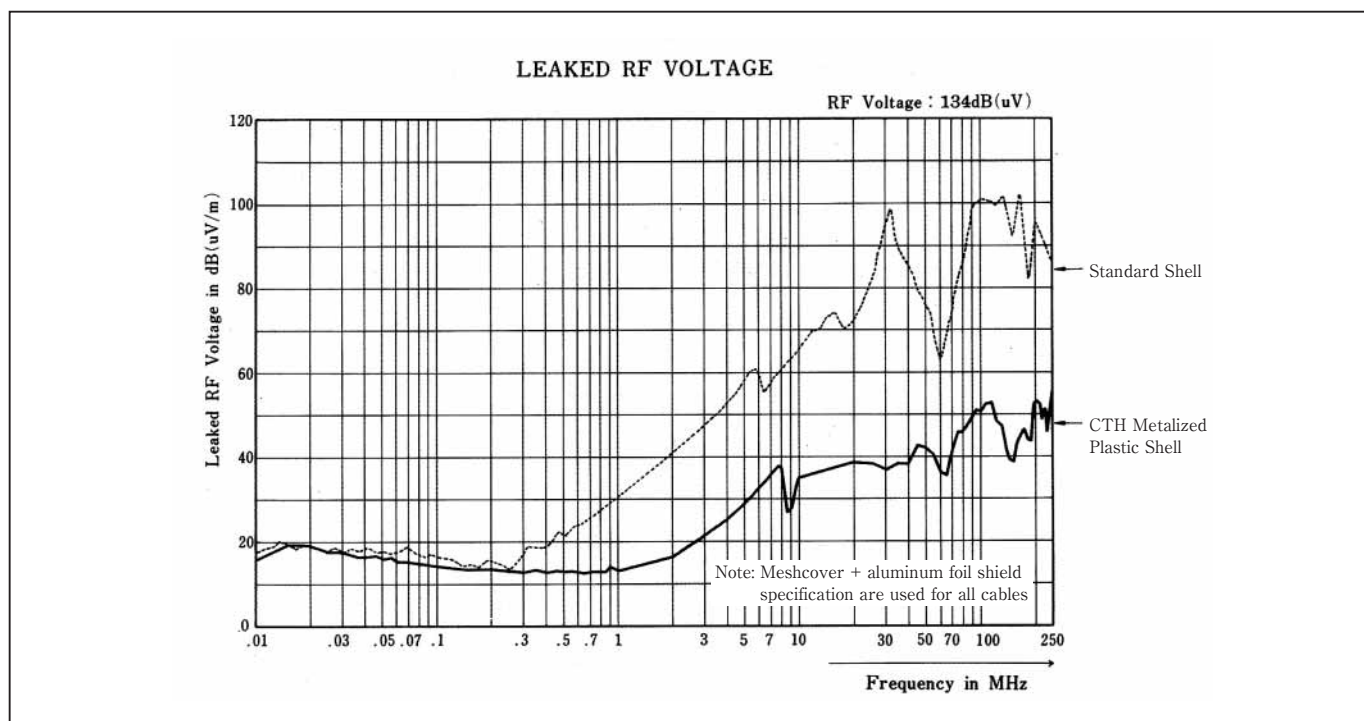
Sep. 1.2024 Copyright 2024 HIROSE ELECTRIC CO., LTD. All Rights Reserved.  
 Nov. 1.2016 Copyright 2016 HIROSE ELECTRIC CO., LTD. All Rights Reserved.



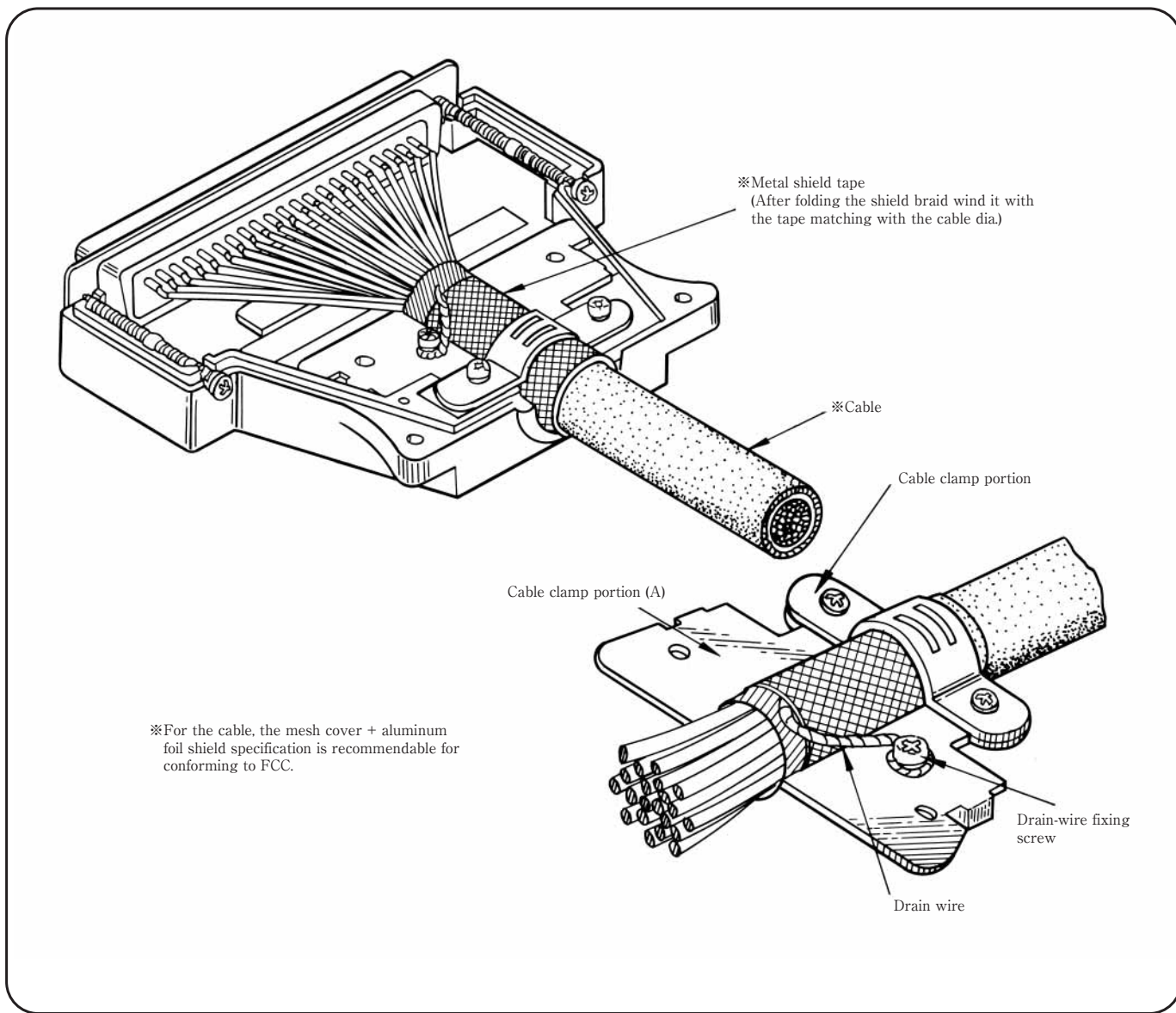
HDE-CTH (10)



## Shielding Characteristics



## Metalized Plastic Shell Assembling Method



## EMI Test Method

