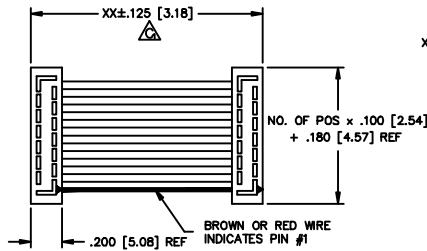
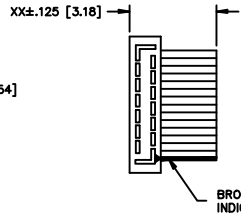


REV. T

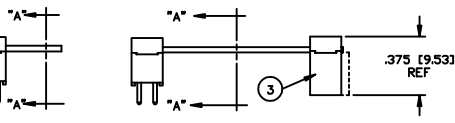
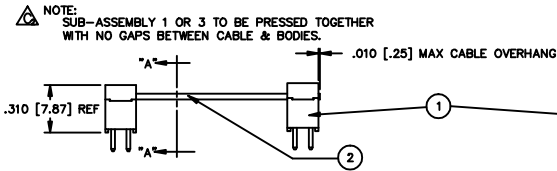
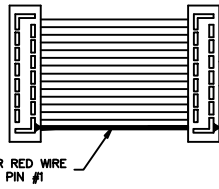
-D (DOUBLE END)  
FIGURE 1



-S (SINGLE END)  
SAME AS FIG. 1 UNLESS OTHERWISE SHOWN



-T (TRANSFER END)  
SEE NOTE 3  
SAME AS FIG. 1 UNLESS OTHERWISE SHOWN



DRAWING SIZE IN INCHES	UNLESS OTHERWISE NOTED	TOLERANCES ARE	TITLE	DWG NO.
ONE PLACE DECIMALS ± .1	THREE PLACE DECIMALS ± .005	ANGLES ± 1°	.100 C.L. MOLD TO POS. DOUBLE ROW, MALE ASSEMBLY	HCMD-XX-Y-XX-XX-XX-XXX
TWO PLACE DECIMALS ± .01	FOUR PLACE DECIMALS ± .0020			SHEET 1 OF 2

HCMD-XX-X-XX-XX-XX-XXX-XXX

NO. OF POSITIONS PER ROW  
02, 03, 04, 05, 07, 08,  
09, 10, 13, 14, 15, 17,  
20, 25, 30, 32, 36  
(STANDARD COLOR-CODED  
CABLE N/A FOR 32 AND 36  
POSITIONS. SEE -G OPTION.)

END ASSEMBLY  
-S: SINGLE END  
-D: DOUBLE END  
-T: TRANSFER END

ASSEMBLY LENGTH:  
(2 INCH MINIMUM)

LEAD STYLE  
-01: (SEE TABLE 1)  
-02: (SEE TABLE 1)

OPTION #2  
(SEE OPTIONS BELOW AND SHT 2)

OPTION #1  
(SEE OPTIONS BELOW AND SHT 2)

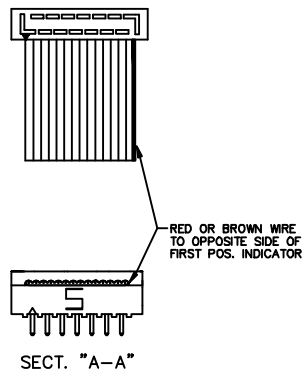
**PLATING**

-T = .000150 BRIGHT ACID TIN ON ENTIRE CONTACT. (USED ONLY WITH FEMALE STRIP OF A -T END OPTION.)  
-S = .00010 AU. ON TAIL AREA WITH THE BALANCE OF .000150 BRIGHT ACID TIN - USE HCMD-XX-XX-S. (NOT TO BE USED WITH FEMALE STRIP OF A -T END OPTION.)  
(STANDARD PLATING IS .000150 BRIGHT ACID TIN OVER ENTIRE TERMINAL - USE HCMD-XX-XX-T. FOR A -T OPTION, STANDARD PLATING FOR THE FEMALE END IS .000150 BRIGHT ACID TIN, EXCEPT CONTACT AREA IS .00010 AU. - USE HCSD-XX-01-SX.)

**-N NOTCH POLARIZATION**

AVAILABLE ONLY WITH TRANSFER END OPTION, ONLY THE SOCKET IS POLARIZED. USE HCSD-XX-01-N

-RW REVERSE WIRING

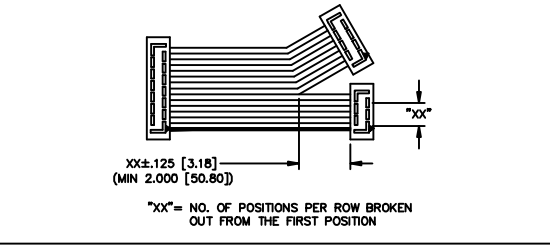


-G GRAY CABLE

SUBSTITUTE GRAY CABLE FOR STANDARD COLOR CODED CABLE  
USE: CB-XX-28-7/36-050-G

NOTE:  
USE GRAY CABLE FOR -32 AND -36 POSITIONS.

-B"XX" BREAKOUT OPTION

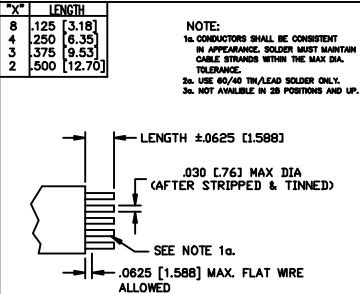


**TABLE 1**

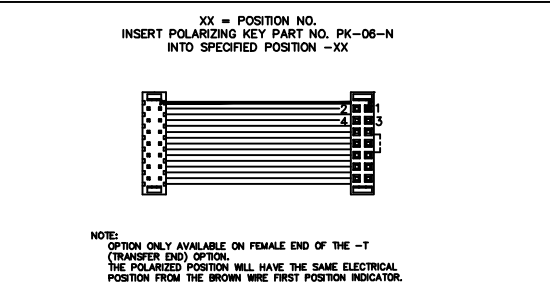
LEAD STYLE	"A"	1	2	3 (-T END ONLY)
-01	.120 [3.05]	HCMD-XX-01-X	CB-XX-28-7/36-050-C	HCSD-XX-01-X
-02	.230 [5.84]	HCMD-XX-02-X	CB-XX-28-7/36-050-C	HCSD-XX-01-X

SPECIFY NO. OF POS. IN PART CALLOUT -XX

-ST"X" STRIPPED & TINNED



-P"XX" POLARIZED MATING



- NOTES:
- IF OPTION IS SPECIFIED WITH -T END ASSEMBLY, SUB-ASSEMBLIES B & C WILL BE HCSD-XX-01-X
  - IF OPTION IS SPECIFIED WITH -T END ASSEMBLY, SUB-ASSEMBLIES B & C WILL BE HCSS-XX-01-X
  - HIDDEN LINES ARE USED TO SHOW POLARIZATION WHEN USING -T-N OPTION
  - Ⓢ REPRESENTS CRITICAL DIMENSIONS FOR STATISTICAL PROCESS CONTROL
  - ALL ASSEMBLIES TO BE 100% ELECTRICALLY TESTED FOR SHORTS AND OPENS.
  - ALL ASSEMBLIES TO BE 100% HI-POT TESTED AT 1000V.
  - WIRE: 28 AWG, 7/36, STRANDED. TINNED WITH PVC INSULATOR.

Do not scale from this print

**PROPRIETARY NOTE**  
THE INFORMATION CONTAINED HEREIN IS UNCLASSIFIED EXCEPT WHERE SHOWN OTHERWISE. IT IS THE PROPERTY OF SAMTEC AND IS NOT TO BE REPRODUCED OR TRANSMITTED IN ANY FORM OR BY ANY MEANS, ELECTRONIC OR MECHANICAL, INCLUDING PHOTOCOPYING, RECORDING, OR BY ANY INFORMATION STORAGE AND RETRIEVAL SYSTEM, WITHOUT THE WRITTEN PERMISSION OF SAMTEC.

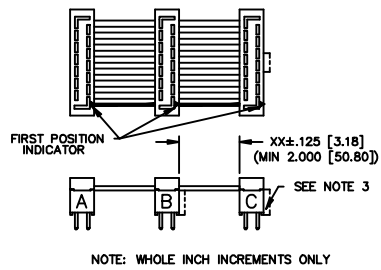
**samtec** EPCABLE HCMD-ASM

810 PROGRESS BLVD., NEW ALBANY, INDIANA 47150  
PHONE (812) 944-8733 P.O. BOX 1147  
CODE 50322

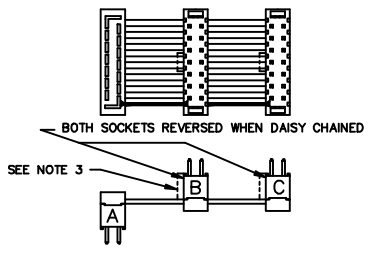
MADE IN: KOLB 8-3-90

HCMD-XX-Y-XX-XX-XX-XXX  
SHEET 1 OF 2

REV. T -D"XX"  
DAISY CHAIN-DOUBLE (SEE NOTE 1.)



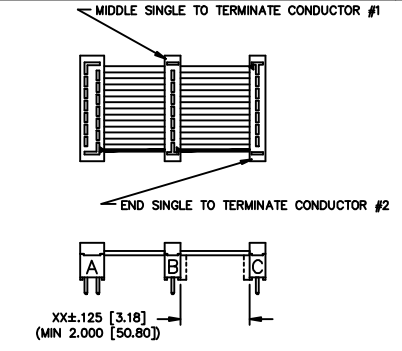
-R  
REVERSED CONNECTOR (SEE NOTE 1.)



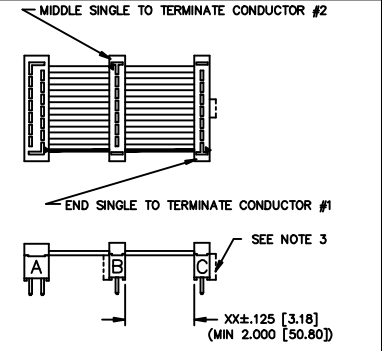
DIMENSIONS ARE IN INCHES		UNLESS OTHERWISE NOTED		TOLERANCES ARE:	
ONE PLACE DECIMALS ± .1	TWO PLACE DECIMALS ± .01	THREE PLACE DECIMALS ± .005	FOUR PLACE DECIMALS ± .0020	ANGLES ± 1'	

TITLE: 100 C.L. MOLD TO POS.  
DOUBLE ROW, MALE  
ASSEMBLY  
DWG NO: HMD-XX-X-XX-XX-XX-XX  
SHEET 2 of 2

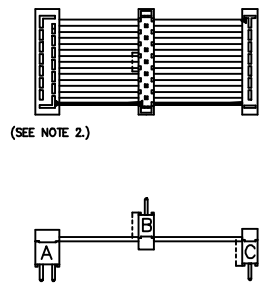
-W"XX"  
WIRING REVERSED (SEE NOTE 2.)



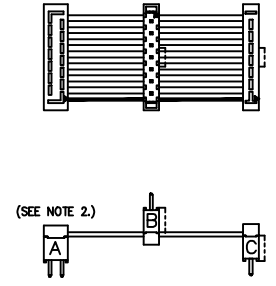
-S"XX"  
DAISY CHAIN-SINGLE (SEE NOTE 2.)



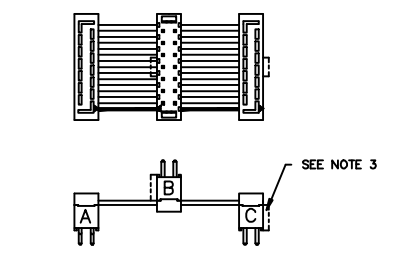
-W"XX"-M  
MIDDLE REVERSED



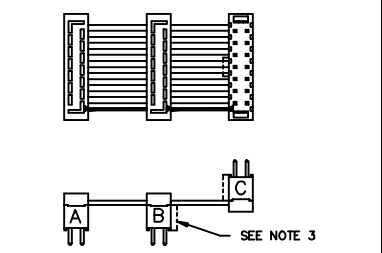
-S"XX"-M  
MIDDLE REVERSED



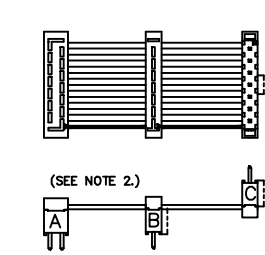
-D"XX"-O  
MIDDLE REVERSED (SEE NOTE 1.)



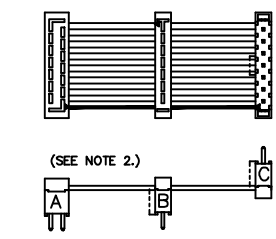
-D"XX"-O  
OUTSIDE REVERSED (SEE NOTE 1.)



-W"XX"-O  
OUTSIDE REVERSED



-D"XX"-O  
OUTSIDE REVERSED



MADE BY: KOLB 8-3-90

520 PARK EAST BLVD. NEW ALBANY, INDIANA 47150  
PHONE (812) 844-8733 P.O. BOX 1147  
CODE 56322

HMD-XX-X-XX-XX-XX-XX  
SHEET 2 of 2