

Housing - HC-STA-D25-CHWS-1TTM25-EL-AL - 1424387


Please be informed that the data shown in this PDF Document is generated from our Online Catalog. Please find the complete data in the user's documentation. Our General Terms of Use for Downloads are valid (<http://phoenixcontact.com/download>)



Coupling housings D25, With single locking latch, Material: Die-cast aluminum, salt water resistant, Cable outlets: 1, straight, Height: 68 mm, Cable gland: none, Gland: no, 1x M25, Standard



Key Commercial Data

Packing unit	1
GTIN	 4 055626 371276
GTIN	4055626371276

Technical data

Dimensions

Height	68 mm
Width	30 mm
Length	80 mm

Ambient conditions

Degree of protection of housing (IP)	IP66
	IP67
Degree of protection of housing (NEMA)	4 (UL 50e)
	4X (UL 50e)
	12 (UL 50e)
Ambient temperature (operation)	-40 °C ... 125 °C

General

Note	For contact inserts HC-D25, A16
Size	D25

Housing - HC-STA-D25-CHWS-1TTM25-EL-AL - 1424387

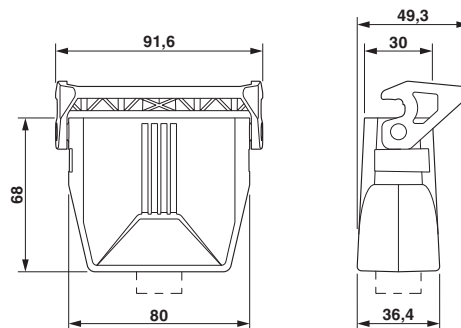
Technical data

General

Housing type	Coupling housings
Color	silver
Locking type	With single locking latch
No. of cable outlets	1
Cable exit	straight
Screw connection	none
Type of the screw connection	1x M25
Housing material	Die-cast aluminum, salt water resistant

Drawings

Dimensional drawing



Dimensional drawing

Classifications

eCl@ss

eCl@ss 5.1	27143424
eCl@ss 6.0	27261203
eCl@ss 7.0	27440202
eCl@ss 8.0	27440202
eCl@ss 9.0	27440202

ETIM

ETIM 5.0	EC000437
----------	----------