

# H364NRB

## SWITCH FUSIBLE HD 600V 200A 3P NEUTRAL



Product availability: Stock - Normally stocked in distribution facility



### Main

|                              |                                       |
|------------------------------|---------------------------------------|
| Product                      | Single Throw Safety Switch            |
| Current Rating               | 200 A                                 |
| Certifications               | UL listed file E2875                  |
| Enclosure Rating             | NEMA 3R galvanized steel              |
| Factory Installed Neutral    | Neutral (factory installed)           |
| Disconnect Type              | Fusible disconnect                    |
| Short Circuit Current Rating | 10 KA H or K<br>200 kA R, J or L      |
| Mounting Type                | Surface                               |
| Number of Poles              | 3                                     |
| Electrical Connection        | Lugs                                  |
| Duty Rating                  | Heavy duty                            |
| Voltage Rating               | 600 V AC/DC                           |
| Wire Size                    | AWG 6...250 kcmil copper or aluminium |

### Complementary

|                   |   |
|-------------------|---|
| Width             | 473.20 mm (18.63 in)  |
| Height            | 742.95 mm (29.25 in)  |
| Depth             | 215.90 mm (8.5 in)  |
| Tightening torque | 31.07 N.m (275 lbf.in) 0.02...0.20 in <sup>2</sup> (13.3...127 mm <sup>2</sup> ) AWG 6...250 kcmil) |

### Ordering and shipping details

|                     |                                  |
|---------------------|----------------------------------|
| Category            | 00009 - H&HU SW,2&3P,N3R,30-200A |
| Discount Schedule   | DE1                              |
| GTIN                | 00785901616313                   |
| Package weight(Lbs) | 20.98 kg (46.25 lb(US))          |
| Returnability       | Yes                              |
| Country of origin   | US                               |

### Offer Sustainability

|                            |   |
|----------------------------|---|
| Sustainable offer status   | Green Premium product   |
| California proposition 65  | WARNING: This product can expose you to chemicals including: Lead and lead compounds which is known to the State of California to cause Carcinogen & Reproductive harm. For more information go to <a href="http://www.p65warnings.ca.gov">www.p65warnings.ca.gov</a> |
| REACH Regulation           | <a href="#">REACH Declaration</a>   |
| REACH free of SVHC         | Yes   |
| EU RoHS Directive          | Compliant <a href="#">EU RoHS Declaration</a>   |
| Toxic heavy metal free     | Yes   |
| Mercury free               | Yes   |
| RoHS exemption information | <a href="#">Yes</a>   |
| China RoHS Regulation      | <a href="#">China RoHS Declaration</a>  |
| Environmental Disclosure   | <a href="#">Product Environmental Profile</a>   |
| Circularity Profile        | No need of specific recycling operations  |
| WEEE                       | The product must be disposed on European Union markets following specific waste collection and never end up in rubbish bins.  |

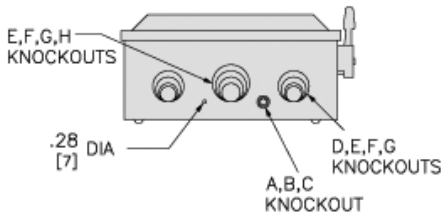
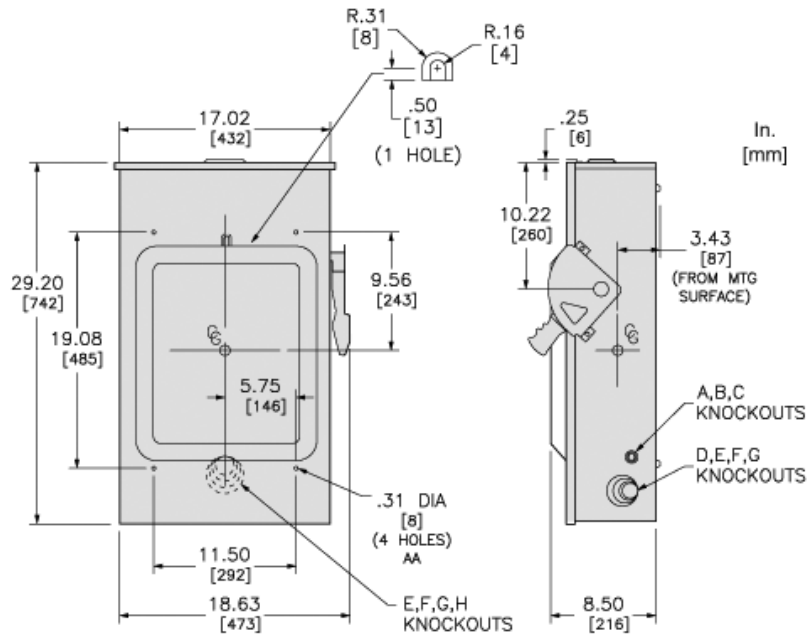
## Contractual warranty

---

|          |           |
|----------|-----------|
| Warranty | 18 months |
|----------|-----------|

---

Approximate Dimensions



| SYMBOL | KNOCKOUTS    |    |          |    |
|--------|--------------|----|----------|----|
|        | CONDUIT SIZE |    | DIAMETER |    |
|        | IN           | MM | IN       | MM |
| A      | .50          | 13 | .88      | 22 |
| B      | .75          | 19 | 1.13     | 29 |
| C      | 1.00         | 25 | 1.38     | 35 |
| D      | 1.25         | 32 | 1.75     | 45 |
| E      | 1.50         | 38 | 2.00     | 51 |
| F      | 2.00         | 51 | 2.50     | 64 |
| G      | 2.50         | 64 | 3.00     | 76 |
| H      | 3.00         | 76 | 3.50     | 89 |