



Main

Range	Lineryg
Product name	FT
Device short name	GV3G
Product or component type	Comb busbar
Accessory / separate part category	Connection accessory
Poles description	3P
Range compatibility	TeSys Deca TeSys K TeSys U TeSys GV3
Product compatibility	GV3P LC1D40A...D65A GV3L
Number of tap-offs	2
[I _{th}] conventional free air thermal current	115 A
Connection pitch	64 mm

Complementary

Mounting location	On terminal
[U _i] rated insulation voltage	690 V
Net weight	0.15 kg

Packing Units

Unit Type of Package 1	PCE
Number of Units in Package 1	1
Package 1 Height	3.0 cm
Package 1 Width	5.0 cm
Package 1 Length	12.0 cm
Package 1 Weight	154.0 g
Unit Type of Package 2	S01
Number of Units in Package 2	30
Package 2 Height	15.0 cm
Package 2 Width	15.0 cm
Package 2 Length	40.0 cm
Package 2 Weight	4.836 kg

Offer Sustainability

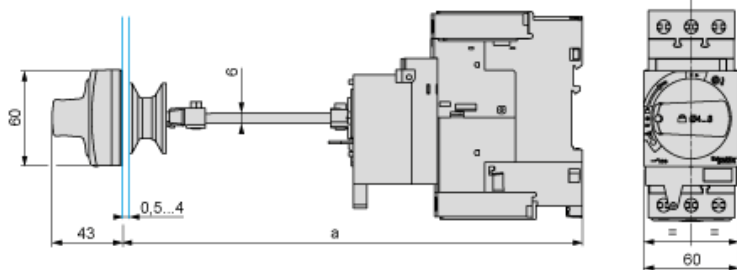
Sustainable offer status	Green Premium product
RECh Regulation	RECh Declaration
RECh free of SVHC	Yes
EU RoHS Directive	Compliant EU RoHS Declaration
Toxic heavy metal free	Yes
Mercury free	Yes
China RoHS Regulation	China RoHS Declaration

RoHS exemption information	Yes
Environmental Disclosure	Product Environmental Profile
Circularity Profile	End Of Life Information
WEEE	The product must be disposed on European Union markets following specific waste collection and never end up in rubbish bins

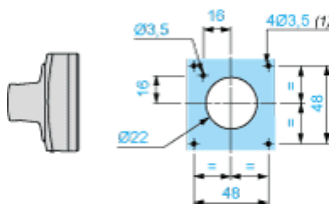
Contractual warranty

Warranty	18 months
----------	-----------

Mounting of External Operator GV3APN01, GV3APN02 or GV3APN04 for Motor Circuit Breakers GV3L

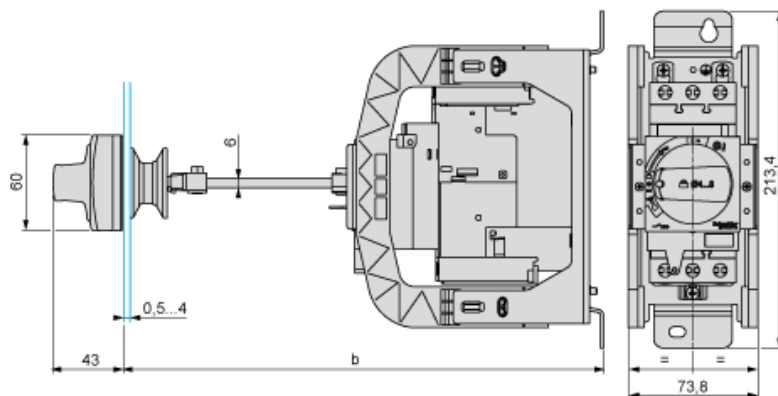


Door cut-out



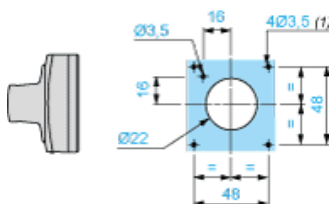
(1) For IP65 only.

Mounting of External Operator GVAPH03 for Motor Circuit Breakers GV3L



	b	
	Minimum	Maximum
GV3APN.. + GVAPH03	200	300
GV3APN.. + GVAPH03 + GVAPK12	300	492

Door cut-out



(1) For IP65 only.