

Materials and Finish

Housing: PBT Thermoplastic
 UL 94V-0 Rated
 Color: Black

Shield: Copper Alloy, Nickel Plated

Contact Material:
 Phosphor Bronze

Plating Options:

Standard: Nickel Underplating,
 Gold Flash Plated on Contact Area,
 Tin Plated on Solder Area

50 Option: Nickel Underplating,
 Contact Area Plated with 50u" Gold
 to Comply with ANSI/TIA-1096-A
 Tin Plated on Solder Area

Electrical Characteristics

Rated Current: 1.5A
 Rated Voltage: 125V DC
 Insulation Resistance:
 500 Megohms Min.
 Contact Resistance:
 20 milliohms Max.
 Dielectric Withstanding Voltage:
 1000V AC for 1 Minute

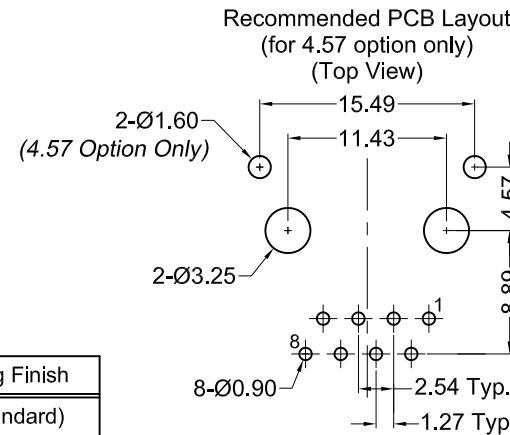
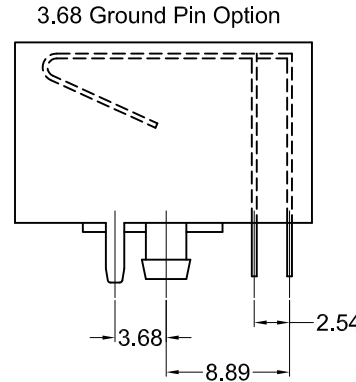
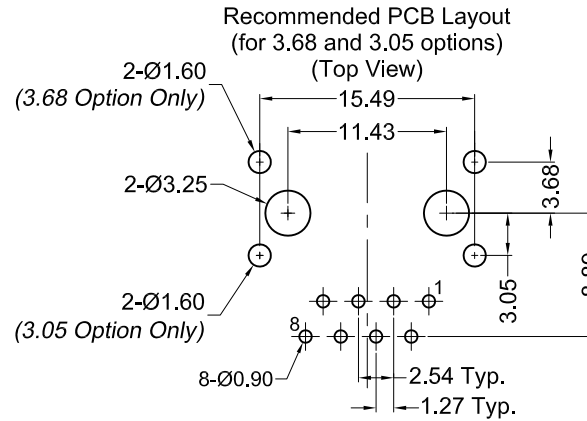
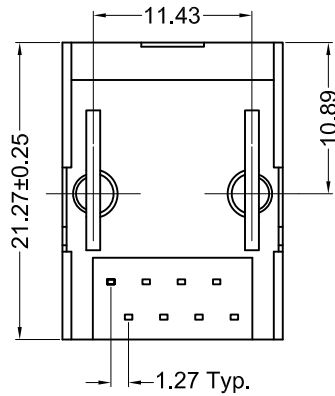
Mechanical Characteristics

Durability Rating:
 750 Mating Cycles Min.
 Operating Temperature:
 -40°C to +85°C

Electrical Performance

Category 5 100MHz Bandwidth Performance
 Performance meets near end crosstalk (NEXT)
 Requirements of -40dB @ 100MHz per
 EIA/TIA 568A in applications where UL
 Approved Category 5 cable (GA27-3773-1)
 is used

Shielded types offer 20dB shielding from
 30MHz to 300MHz



Part Number	Contact Plating Finish
GSX-NS-88-xxx	Gold Flash (standard)
GSX-NS-88-xxx-50	50u" Gold (-50 option)



Tolerances
X.X ± 0.35
X.XX ± 0.25
Unless Stated Otherwise

REV.	DATE	DESCRIPTION	REV. BY	CHK. BY	DRAWN BY	DATE
A2	3/6/08	ECO #08-030	R. Aguirre	H. MA	R. Aguirre	07/01/05
A3	05/13/10	ECO #10-025	S. Vien	H. MA		
A4	07/14/10	ECO #10-048	S. Vien	H. MA		
A5	07/06/12	ECO #12-039	S. Vien	P. DalCanto	UNITS	mm
A6	12/11/13	ECO #13-090	D. Gih	H. MA		
A7	07/24/15	ECO #15-001	H. MA	C. Furumasu		

GSX-NS-88-xxx

xxx = Ground pin option

Modular Jack, Rt. Ang., Shielded, RoHS Compliant

8 Position / 8 Contacts, 4 Sided Shield

