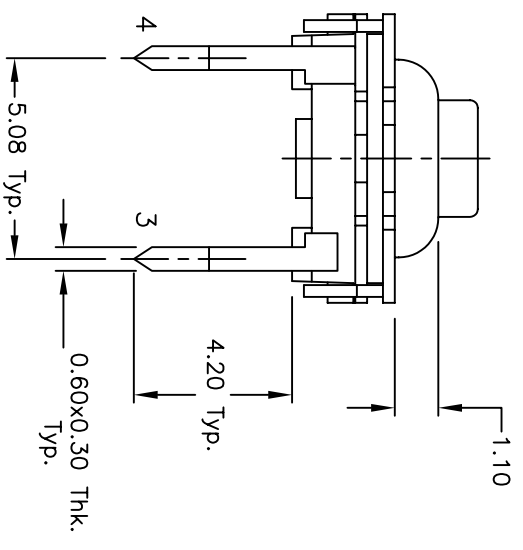
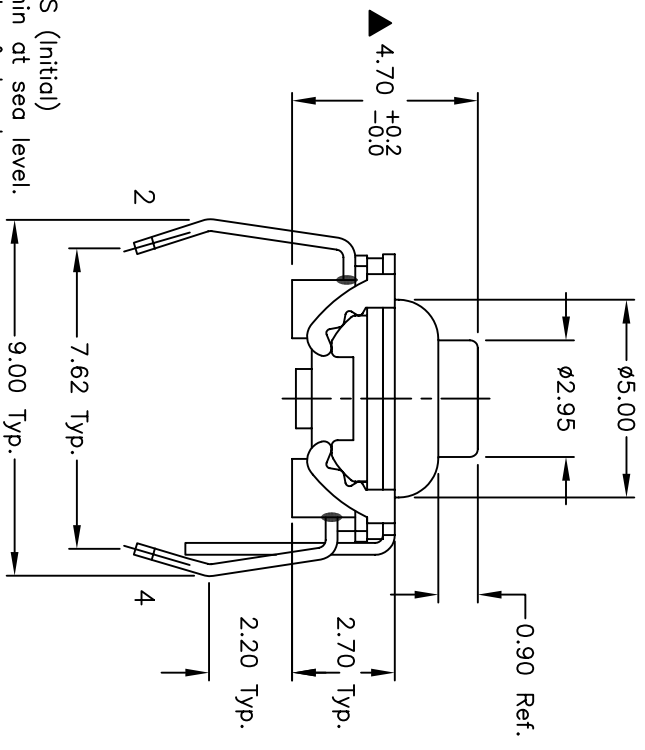
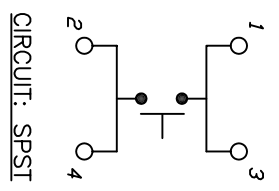


RECOMMENDED P.C.B. LAYOUT



NOTES:

1. ALL DIMENSIONS IN MM
2. GENERAL TOLERANCE: X.X=±0.4
X.XX=±0.25
3. TERM. NOS. FOR REF. ONLY
4. ACTUATION FORCE: 300±75gf
5. TRAVEL TO MAKE: 0.3mm +0.4/0.0
6. RATING: 30ma, @12V DC
7. CONTACT RESISTANCE: 50 MILLI-OHMS (Initial)
8. DIELECTRIC STRENGTH: 300 V RMS min at sea level.
9. ELECTRICAL LIFE CYCLE: 150,000 make & break cycles at full load.
10. ▲ DESIGNATE MAJOR DIMENSIONS.
11. OPERATING TEMP: -40°C to +85°C

REV.	ECN NO.	DESCRIPTION	DATE	CHKD
D	15471	REV. BOTTOM VIEW	10/28/05	PH
C	12191	REVISED NOTE 9, ADD NOTE11	5/28/02	CB
B	10888	REVISED AND REDRAWN	1/26/99	MM

REV.	ECN NO.	DESCRIPTION	DATE	CHKD
D	15471	REV. BOTTOM VIEW	10/28/05	PH
C	12191	REVISED NOTE 9, ADD NOTE11	5/28/02	CB
B	10888	REVISED AND REDRAWN	1/26/99	MM

E-SWITCH®

GS 4.70 F300 QP

SCALE	DATE	DR	DWG	REV
5:1	1/26/99	MM	L400101	D

THE INFORMATION CONTAINED IN THIS DOCUMENT IS PROPRIETARY TO E-SWITCH AND IS NOT TO BE COPIED OR TRANSFERRED