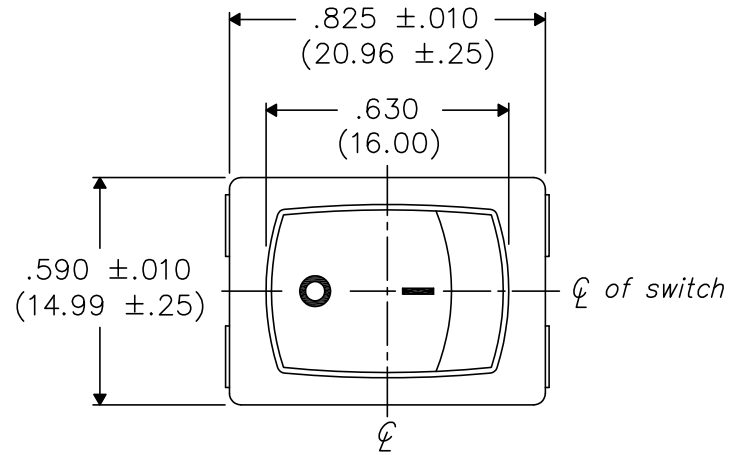
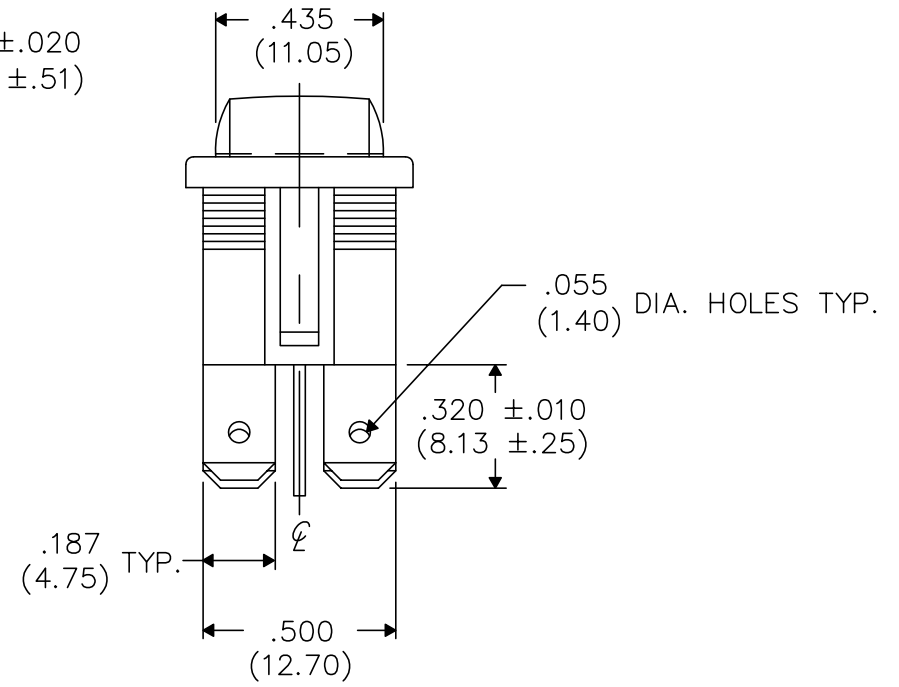
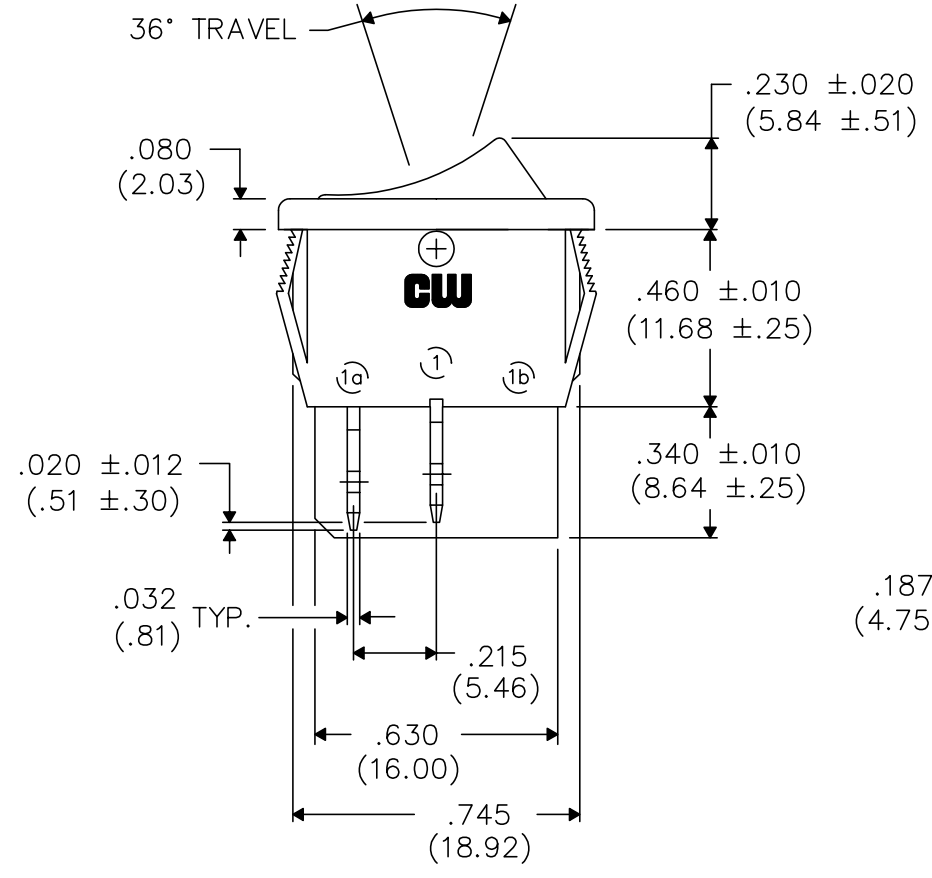
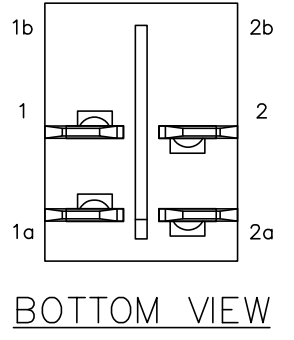
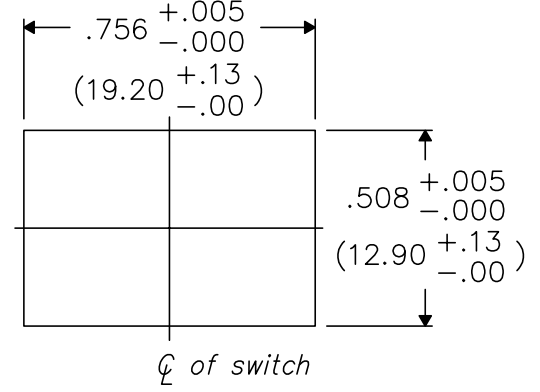


DIMENSIONS IN INCHES (MILLIMETERS)
DO NOT SCALE DRAWING

Dwg. No.
GRS-4021-0022



PANEL PIERCING



1 2 3 4 5 6 7 8 9 10

FORM-B4
REVISIONS
O
RELEASED. DGW 4-15-2002
4-25-02

CW INDUSTRIES
Southampton, Pa. 18966
TOLERANCES UNLESS OTHERWISE SPECIFIED
2 Place Decimal ±.010 METRIC
3 Place Decimal ±.005 1 Place Dec. ±.25mm
Angles ±1° 2 Place Dec. ±.13mm

Made for: CW IND.
Drawn by: DGW 4-15-2002
Checked by: GG 4-25-02
Approval: BF 4-25-02

Title: ROCKER SWIDGET ASSEMBLY (POP IN) D.P.- S.T.
Division: SWITCH
Dwg. No. GRS-4021-0022