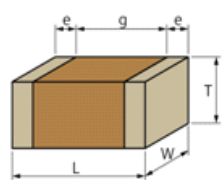





< List of part numbers with package codes >
GRM42A5C3F330JW01L

Shape

| | |
|---------------------------------------|---------------|
| L size | 4.5 ±0.3mm |
| W size | 2.0 ±0.2mm |
| T size | 1.0 +0/-0.3mm |
| External terminal width e | 0.3mm min. |
| Distance between external terminals g | 2.9mm min. |
| Size code in inch(mm) | 1808 (4520M) |

Notes

For LCD Backlight Inverters only

References

| Packaging | Specifications | Minimum quantity |
|-----------|------------------------|------------------|
| L | φ180mm Embossed taping | 3000 |

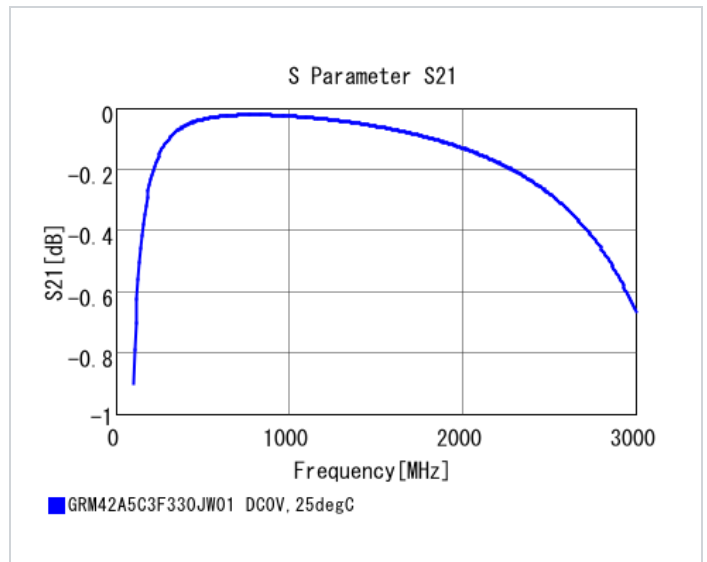
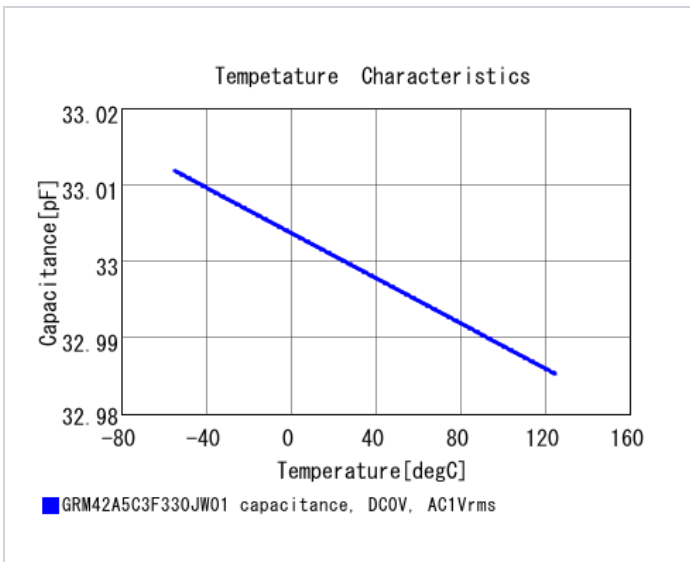
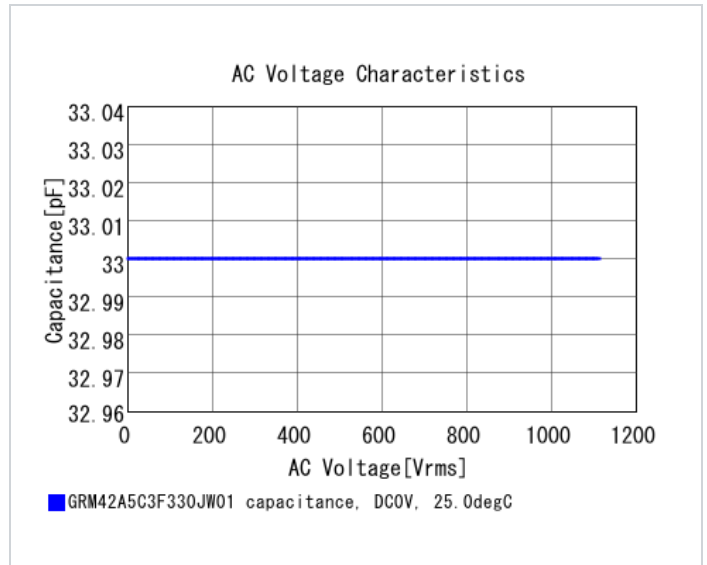
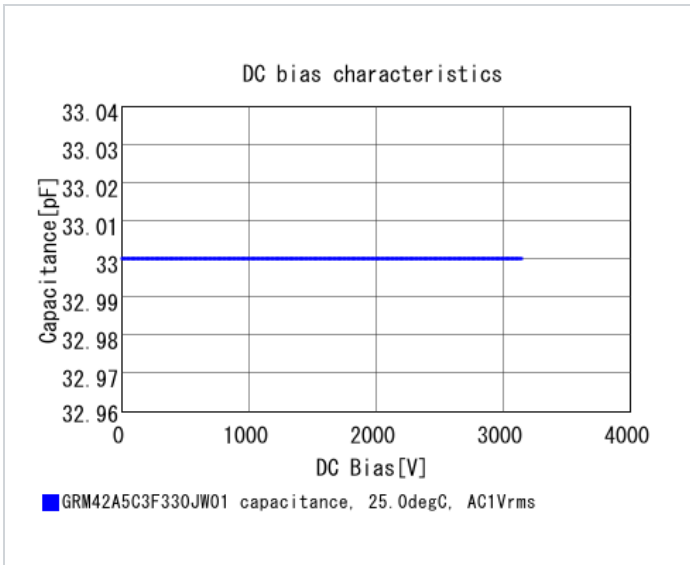
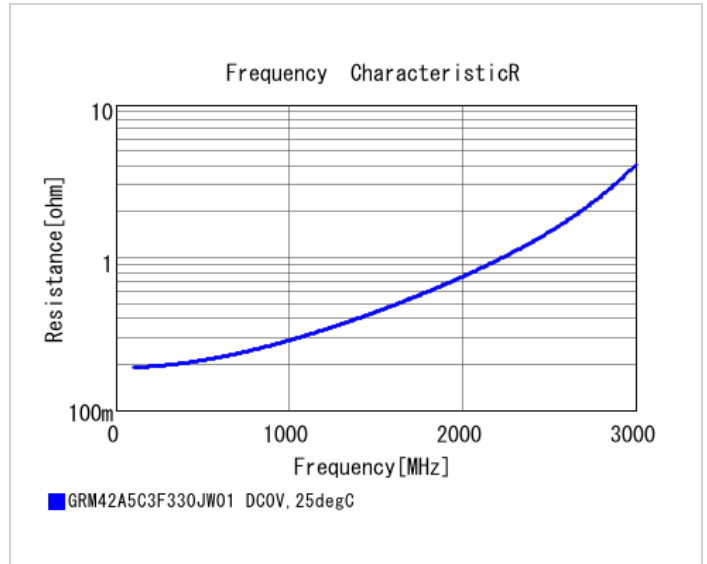
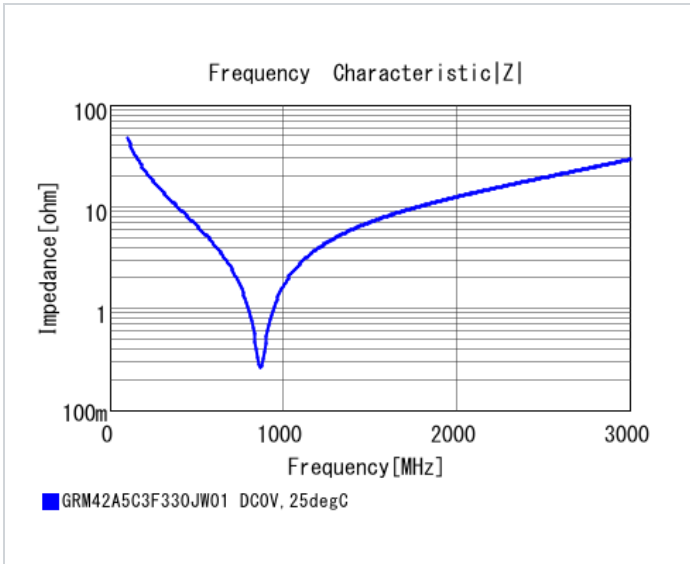
| Mass (typ.) | |
|-------------|--------|
| 1 piece | 54.0mg |

Specifications

| | |
|--|--------------|
| Capacitance | 33pF ±5% |
| Rated voltage | 3150Vdc |
| Temperature characteristics (complied standard) | C0G(EIA) |
| Temperature coefficient | 0±30ppm/°C |
| Temperature range of temperature characteristics | 25 to 125°C |
| Operating temperature range | -55 to 125°C |

Attention

- 1.This datasheet is downloaded from the website of Murata Manufacturing Co., Ltd. Therefore, it's specifications are subject to change or our products in it may be discontinued without advance notice. Please check with our sales representatives or product engineers before ordering.
- 2.This datasheet has only typical specifications because there is no space for detailed specifications. Therefore, please review our product specifications or consult the approval sheet for product specifications before ordering.



⚠ Attention

1.This datasheet is downloaded from the website of Murata Manufacturing Co., Ltd. Therefore, it's specifications are subject to change or our products in it may be discontinued without advance notice. Please check with our sales representatives or product engineers before ordering.

2.This datasheet has only typical specifications because there is no space for detailed specifications. Therefore, please review our product specifications or consult the approval sheet for product specifications before ordering.