

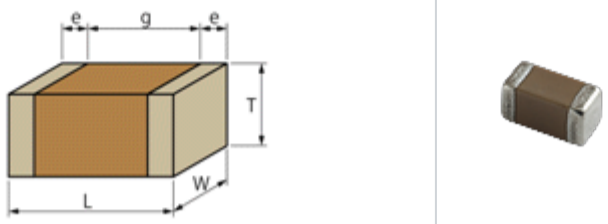
GRM31MF51H474ZA01#

"#" indicates a package specification code.

Available   Complies with RoHS

< List of part numbers with package codes >
 GRM31MF51H474ZA01L , GRM31MF51H474ZA01K , GRM31MF51H474ZA01B

Shape

	
L size	3.2 ± 0.15mm
W size	1.6 ± 0.15mm
T size	1.15 ± 0.1mm
External terminal width e	0.3 to 0.8mm
Distance between external terminals g (Min.)	1.5mm
Size code in mm(inch)	3216 (1206)

References

Packaging	Specifications	Minimum quantity
L	Embossed tape (180mm)	3000
K	Embossed tape (330mm)	10000
B	Packing in bulk	1000

Mass (typ.)	
1 piece	34mg
Reel (180mm)	149g

Specifications

Capacitance	0.47µF +80/-20%
Rated voltage	50Vdc
Temperature characteristics (complied standard)	Y5V(EIA)
Capacitance change rate	+22/-82%
Temperature range of temperature characteristics	-30 to 85
Operating temperature range	-30 to 85

Attention

- 1.This datasheet is downloaded from the website of Murata Manufacturing Co., Ltd. Therefore, it ' s specifications are subject to change or our products in it may be discontinued without advance notice. Please check with our sales representatives or product engineers before ordering.
- 2.This datasheet has only typical specifications because there is no space for detailed specifications. Therefore, please review our product specifications or consult the approval sheet for product specifications before ordering.