

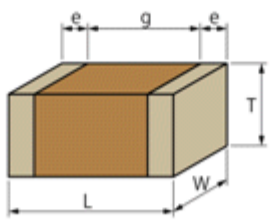

# GRM31CR61E106KA12#

" # " indicates a package specification code.

Available   Complies with RoHS

< List of part numbers with package codes >  
 GRM31CR61E106KA12L , GRM31CR61E106KA12K , GRM31CR61E106KA12B

## Shape

|  |              |
|--|--------------|
| L size                                       | 3.2 ± 0.2mm  |
| W size                                       | 1.6 ± 0.2mm  |
| T size                                       | 1.6 ± 0.2mm  |
| External terminal width e                    | 0.3 to 0.8mm |
| Distance between external terminals g (Min.) | 1.5mm        |
| Size code in mm(inch)                        | 3216 (1206)  |

## References

| Packaging | Specifications         | Minimum quantity |
|-----------|------------------------|------------------|
| L         | Embossed tape ( 180mm) | 2000             |
| K         | Embossed tape ( 330mm) | 6000             |
| B         | Packing in bulk        | 1000             |

| Mass (typ.)   |      |
|---------------|------|
| 1 piece       | 52mg |
| Reel ( 180mm) | 160g |

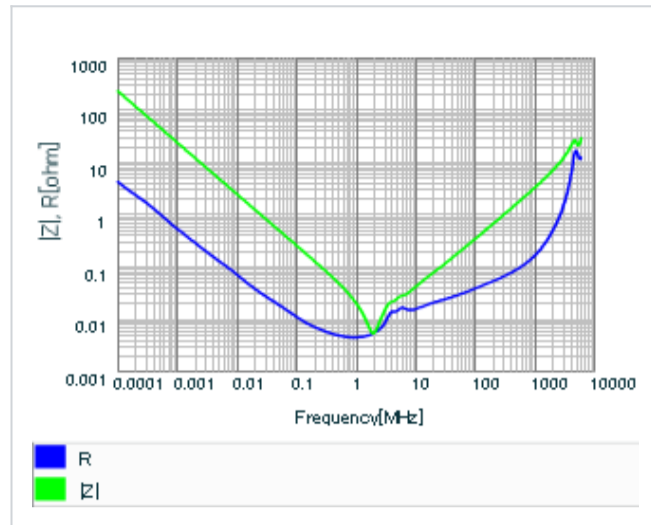
## Specifications

|  |            |
|--|------------|
| Capacitance                                      | 10µF ± 10% |
| Rated voltage                                    | 25Vdc      |
| Temperature characteristics (complied standard)  | X5R(EIA)   |
| Capacitance change rate                          | ± 15%      |
| Temperature range of temperature characteristics | -55 to 85  |
| Operating temperature range                      | -55 to 85  |

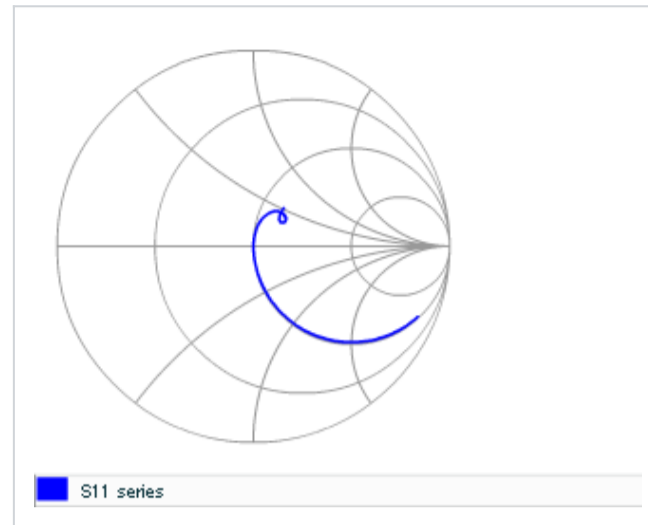
### Attention

- 1.This datasheet is downloaded from the website of Murata Manufacturing Co., Ltd. Therefore, it ' s specifications are subject to change or our products in it may be discontinued without advance notice. Please check with our sales representatives or product engineers before ordering.
- 2.This datasheet has only typical specifications because there is no space for detailed specifications. Therefore, please review our product specifications or consult the approval sheet for product specifications before ordering.

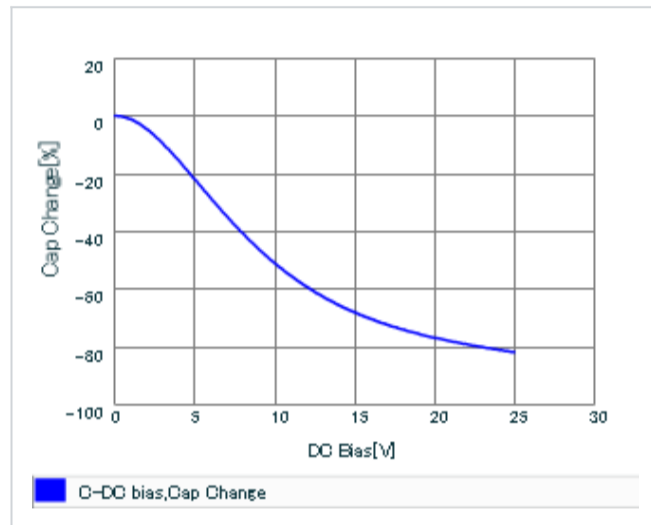
▪ Frequency characteristics (ESR, Impedance)



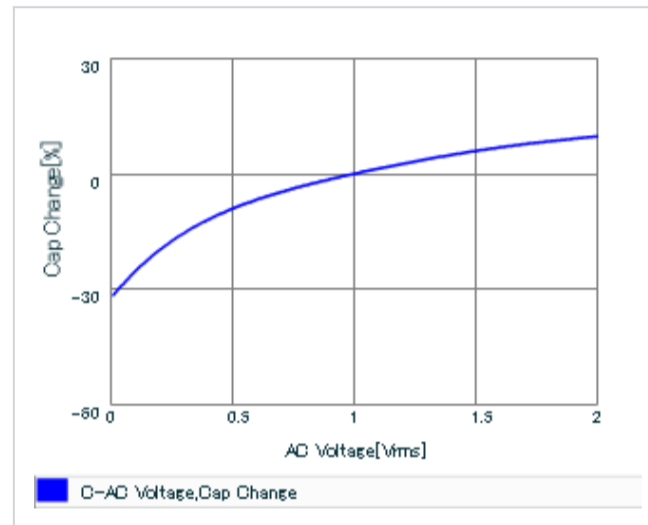
▪ S parameter (Smith chart S11)



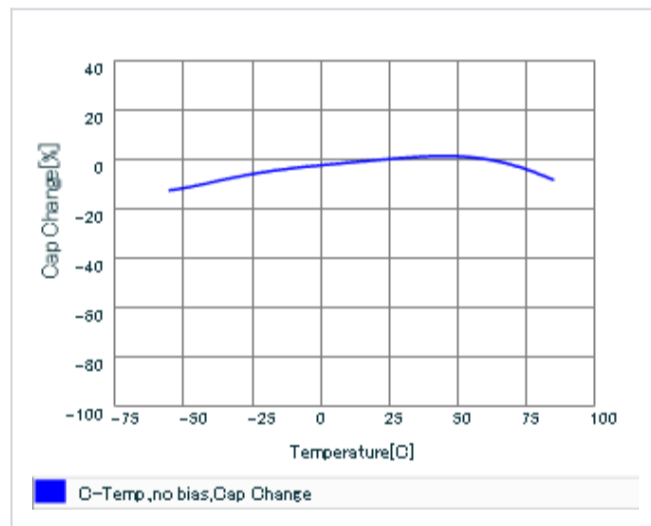
▪ DC bias characteristics



▪ AC voltage characteristics



▪ Capacitance - temperature characteristics



▪ Calorific property by ripple current

