

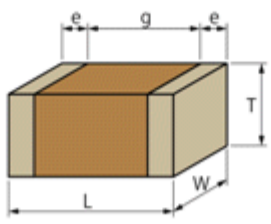
GRM219R60J106ME19#

" # " indicates a package specification code.

Available   Complies with RoHS

< List of part numbers with package codes >
 GRM219R60J106ME19D , GRM219R60J106ME19J , GRM219R60J106ME19B

Shape

	
L size	2.0 ± 0.1mm
W size	1.25 ± 0.1mm
T size	0.85 ± 0.1mm
External terminal width e	0.2 to 0.7mm
Distance between external terminals g (Min.)	0.7mm
Size code in mm(inch)	2012 (0805)

References

Packaging	Specifications	Minimum quantity
D	Paper tape (180mm)	4000
J	Paper tape (330mm)	10000
B	Packing in bulk	1000

Mass (typ.)	
1 piece	11.0mg
Reel (180mm)	162g

Specifications

Capacitance	10µF ± 20%
Rated voltage	6.3Vdc
Temperature characteristics (complied standard)	X5R(EIA)
Capacitance change rate	± 15%
Temperature range of temperature characteristics	-55 to 85
Operating temperature range	-55 to 85

Attention

- 1.This datasheet is downloaded from the website of Murata Manufacturing Co., Ltd. Therefore, it ' s specifications are subject to change or our products in it may be discontinued without advance notice. Please check with our sales representatives or product engineers before ordering.
- 2.This datasheet has only typical specifications because there is no space for detailed specifications. Therefore, please review our product specifications or consult the approval sheet for product specifications before ordering.