

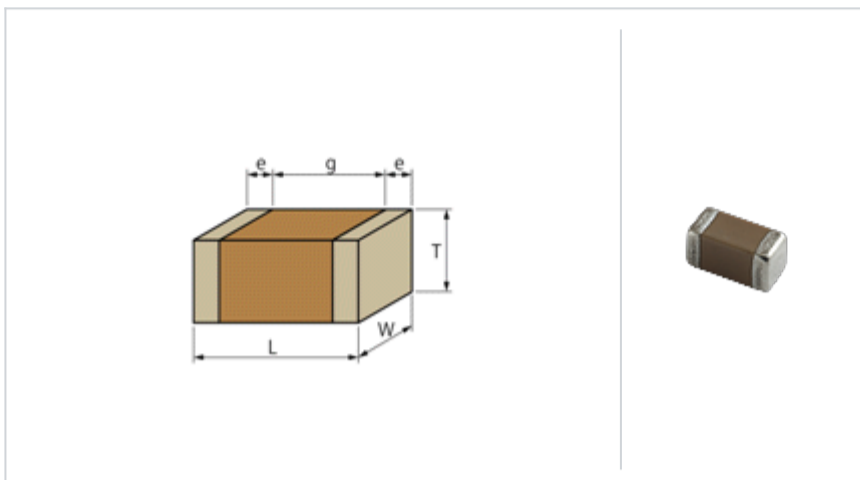
GRM1885C1H6R0DA01#

" # " indicates a package specification code.



< List of part numbers with package codes >
 GRM1885C1H6R0DA01D , GRM1885C1H6R0DA01J , GRM1885C1H6R0DA01C , GRM1885C1H6R0DA01B

Shape



L size	1.6 ± 0.1mm
W size	0.8 ± 0.1mm
T size	0.8 ± 0.1mm
External terminal width e	0.2 to 0.5mm
Distance between external terminals g (Min.)	0.5mm
Size code in mm(inch)	1608 (0603)

References

Packaging	Specifications	Minimum quantity
D	Paper tape (180mm)	4000
J	Paper tape (330mm)	10000
C	Bulk case	15000
B	Packing in bulk	1000

Mass (typ.)	
1 piece	6.3mg
Reel (180mm)	144g

Specifications

Capacitance	6.0pF ± 0.5pF
Rated voltage	50Vdc
Temperature characteristics (complied standard)	COG(EIA)
Temperature coefficient	0 ± 30ppm/
Temperature range of temperature characteristics	25 to 125
Operating temperature range	-55 to 125

⚠ Attention

- 1.This datasheet is downloaded from the website of Murata Manufacturing Co., Ltd. Therefore, it ' s specifications are subject to change or our products in it may be discontinued without advance notice. Please check with our sales representatives or product engineers before ordering.
- 2.This datasheet has only typical specifications because there is no space for detailed specifications. Therefore, please review our product specifications or consult the approval sheet for product specifications before ordering.