

GPO-135-4.8/2.4-0-SP ✓ ACTIVE

RAYCHEM | RAYCHEM GPO

TE Internal #: 4431574001

Black, 2:1, Single Wall Tubing, Shrinks To .094 in [2.4 mm],
Irradiated Modified Polyolefin, .189 in [4.8 mm] Inner Diameter,
RAYCHEM GPO

[View on TE.com >](#)



Heat Shrink Tubing > GPO-135 Heat Shrink Tubing



Primary Product Color: **Black**

Wall Type: **Single Wall**

Expanded Inside Diameter (Min): **4.8 mm [.189 in]**

Recovered Inside Diameter (Max): **2.4 mm [.094 in]**

Shrink Ratio: **2:1**

[All GPO-135 Heat Shrink Tubing \(13\)](#)

Features

Product Type Features

Wall Type	Single Wall
-----------	-------------

Body Features

Fluid Type	Gasoline, Hydraulic Fluid, Lubricating Oil
Primary Product Color	Black
Shrink Ratio	2:1
Primary Product Material	Irradiated Modified Polyolefin
Flexibility	Flexible

Dimensions

Recovered Wall Thickness (Tolerance)	.1 mm[.004 in]
Recovered Wall Thickness (Nominal)	.5 mm[.02 in]
Expanded Inside Diameter (Min)	4.8 mm[.189 in]
Recovered Inside Diameter (Max)	2.4 mm[.094 in]



Tubing Size Range	2.4 – 4.8 mm [.094 – .189 in]
-------------------	-------------------------------

Usage Conditions

Shrink Temperature (Min)	80 °C
Tubing Flammability Type	Flame-Retardant
Operating Temperature Range	-55 – 135 °C
Recovery Temperature	121 °C

Operation/Application

Mechanical Resistance	Abrasion, Fluids, Mechanical Damage, Strain Relief
-----------------------	--

Product Availability

Applicable Region	Global
-------------------	--------

Packaging Features

Packaging Method	Spool
------------------	-------

Other

Meets Low Outgassing Requirements	No
Product Source	Czech Republic

Product Compliance

[For compliance documentation, visit the product page on TE.com>](#)

EU RoHS Directive 2011/65/EU	Compliant
EU ELV Directive 2000/53/EC	Compliant
China RoHS 2 Directive MIIT Order No 32, 2016	No Restricted Materials Above Threshold
EU REACH Regulation (EC) No. 1907/2006	Current ECHA Candidate List: JUNE 2024 (241) Candidate List Declared Against: JUNE 2024 (241) Does not contain REACH SVHC
Halogen Content	Low Halogen - Br, Cl, F, I < 900 ppm per homogenous material. Also BFR/CFR/PVC Free
Solder Process Capability	Not applicable for solder process capability

Product Compliance Disclaimer

This information is provided based on reasonable inquiry of our suppliers and represents our current actual knowledge based on the information they provided. This information is subject to change. The part numbers that TE has identified as EU RoHS compliant have a maximum concentration of 0.1% by weight in homogenous materials for lead, hexavalent chromium, mercury, PBB, PBDE, DBP, BBP, DEHP, DIBP, and 0.01% for cadmium, or qualify for an exemption to these



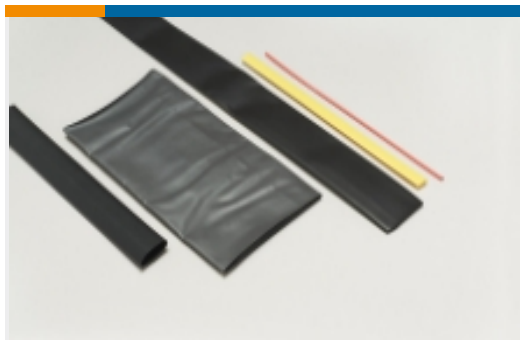
limits as defined in the Annexes of Directive 2011/65/EU (RoHS2). Finished electrical and electronic equipment products will be CE marked as required by Directive 2011/65/EU. Components may not be CE marked. Additionally, the part numbers that TE has identified as EU ELV compliant have a maximum concentration of 0.1% by weight in homogenous materials for lead, hexavalent chromium, and mercury, and 0.01% for cadmium, or qualify for an exemption to these limits as defined in the Annexes of Directive 2000/53/EC (ELV). Regarding the REACH Regulation, the information TE provides on SVHC in articles for this part number is based on the latest European Chemicals Agency (ECHA) 'Guidance on requirements for substances in articles' posted at this URL: <https://echa.europa.eu/guidance-documents/guidance-on-reach>

Compatible Parts



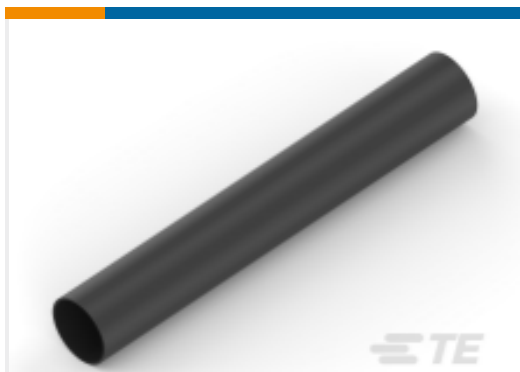
TE Part # EG1114-000
CV1981-ST-230V1600W-EU

Also in the Series | RAYCHEM GPO



Heat Shrink Tubing(13)

Customers Also Bought



TE Part #NB10784001
ATUM-32/8-0-SP



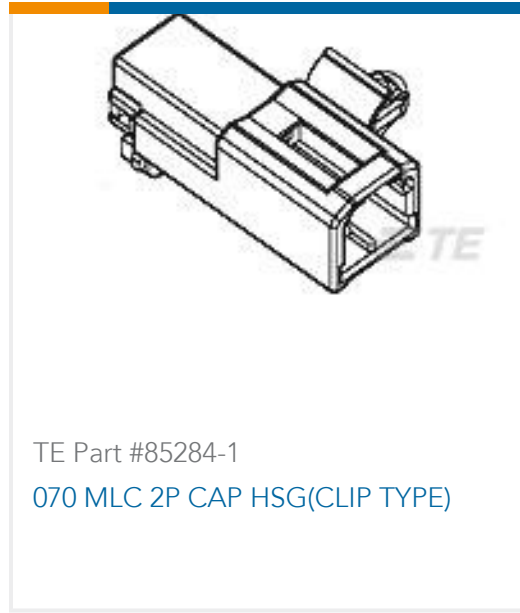
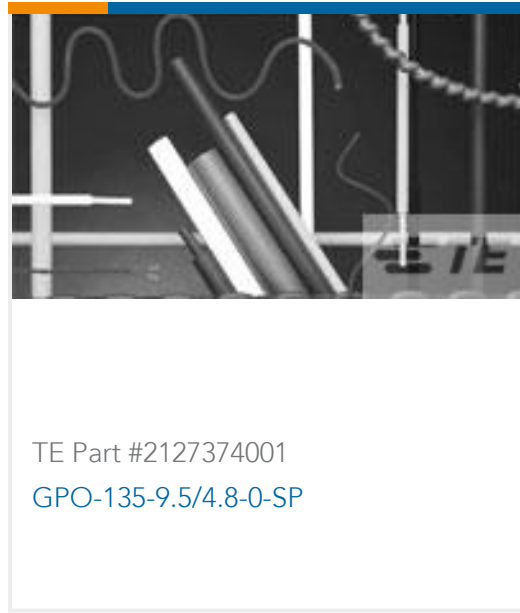
TE Part #521204-1
POSI-LOK HSG.250-2 POS RAST5



TE Part #1217378-2
RCPT 250POS-LOC 22-18 0126TPBR



TE Part #T1210240125-000
H24B-TS-M25



Documents

[Product Specifications](#)

[Application Specification](#)

English