

GDH10SA04 ✓ ACTIVE

Alcoswitch | Alcoswitch DIP, Alcoswitch DIP GDH

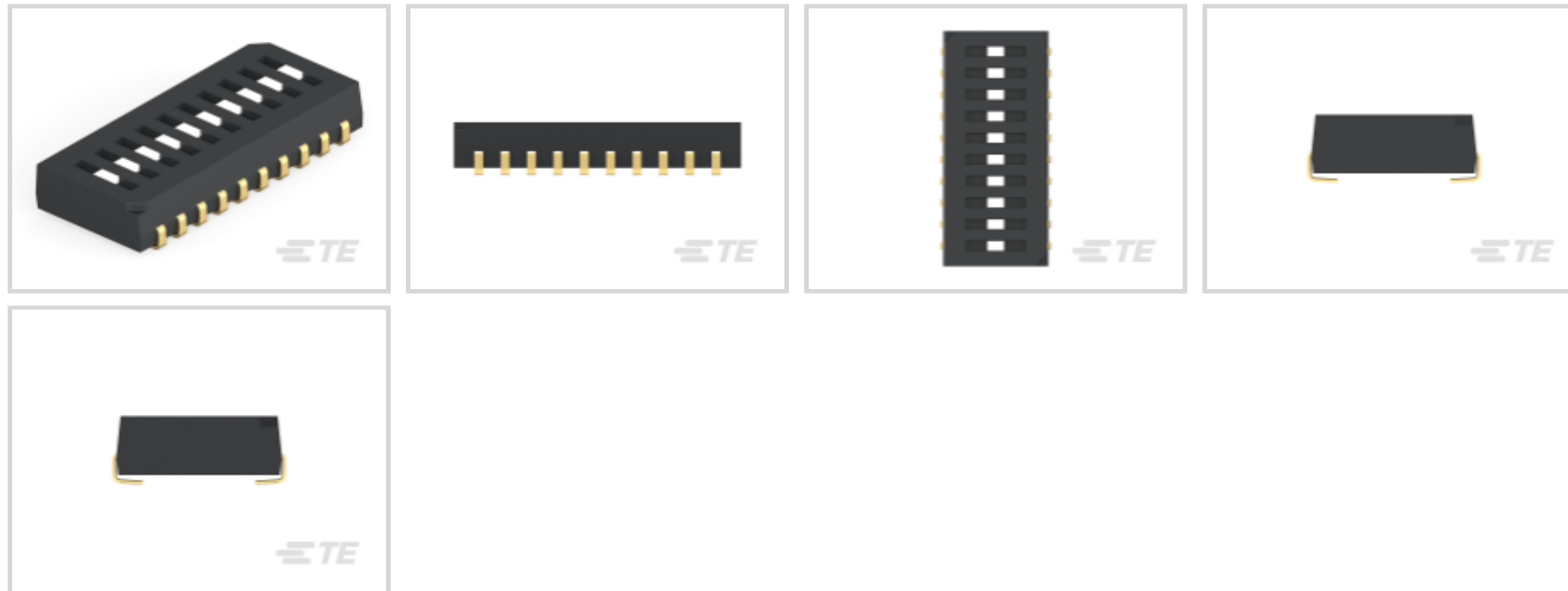
TE Internal #: 1977830-5

DIP & SIP Switches, Gold, Black, Polyphenylene Sulfide (PPS),
Sealed Device, 10 Switch, -30 – 85 °C, DIP, Alcoswitch DIP

[View on TE.com >](#)



Switches > DIP & SIP Switches



Switch Contact Plating Material: **Gold**

Case Color: **Black**

Case Material: **Polyphenylene Sulfide (PPS)**

Sealed Device: **Yes**

Number of Switches: **10**

Features

Product Type Features

Sealed Device	Yes
DIP & SIP Switch Type	DIP
Actuator Style	Recessed Rocker

Configuration Features

Number of Positions	10
Number of Switches	10
Configuration (Pole-Throw)	Single Pole - Single Throw

Electrical Characteristics

Contact Current Rating	.1 A
Operating Voltage	50 VDC

Body Features

Actuator Color	White
Sealing Method	Sealing Tape
Case Color	Black



Case Material	Polyphenylene Sulfide (PPS)
---------------	-----------------------------

Contact Features

Contact Underplating Material	Nickel
PCB Contact Termination Area Plating Material	Gold
Switch Contact Plating Material	Gold
Contact Base Material	Copper Alloy

Termination Features

Termination Method to Printed Circuit Board	Surface Mount
---	---------------

Housing Features

Low Profile	Yes
Centerline (Pitch)	1.27 mm[.05 in]

Dimensions

Product Length	13.83 mm[.544 in]
Product Height	2.2 mm[.093 in]

Usage Conditions

Operating Temperature Range	-30 – 85 °C
-----------------------------	-------------

Industry Standards

UL Flammability Rating	UL 94V-0
------------------------	----------

Packaging Features

Packaging Quantity	30
Packaging Method	Box & Tube, Tube

Product Compliance

[For compliance documentation, visit the product page on TE.com>](#)

EU RoHS Directive 2011/65/EU	Compliant
EU ELV Directive 2000/53/EC	Compliant
China RoHS 2 Directive MIIT Order No 32, 2016	No Restricted Materials Above Threshold
EU REACH Regulation (EC) No. 1907/2006	Current ECHA Candidate List: JUNE 2024 (241) Candidate List Declared Against: JAN 2024 (240) Does not contain REACH SVHC
Halogen Content	Low Halogen - Br, Cl, F, I < 900 ppm per homogenous material. Also BFR/CFR/PVC

Free

Solder Process Capability

Not reviewed for solder process capability

Product Compliance Disclaimer

This information is provided based on reasonable inquiry of our suppliers and represents our current actual knowledge based on the information they provided. This information is subject to change. The part numbers that TE has identified as EU RoHS compliant have a maximum concentration of 0.1% by weight in homogenous materials for lead, hexavalent chromium, mercury, PBB, PBDE, DBP, BBP, DEHP, DIBP, and 0.01% for cadmium, or qualify for an exemption to these limits as defined in the Annexes of Directive 2011/65/EU (RoHS2). Finished electrical and electronic equipment products will be CE marked as required by Directive 2011/65/EU. Components may not be CE marked. Additionally, the part numbers that TE has identified as EU ELV compliant have a maximum concentration of 0.1% by weight in homogenous materials for lead, hexavalent chromium, and mercury, and 0.01% for cadmium, or qualify for an exemption to these limits as defined in the Annexes of Directive 2000/53/EC (ELV). Regarding the REACH Regulations, TE's information on SVHC in articles for this part number is still based on the European Chemical Agency (ECHA) 'Guidance on requirements for substances in articles' (Version: 2, April 2011), applying the 0.1% weight on weight concentration threshold at the finished product level. TE is aware of the European Court of Justice ruling of September 10th, 2015 also known as O5A (Once An Article Always An Article) stating that, in case of 'complex object', the threshold for a SVHC must be applied to both the product as a whole and simultaneously to each of the articles forming part of its composition. TE has evaluated this ruling based on the new ECHA "Guidance on requirements for substances in articles" (June 2017, version 4.0) and will be updating its statements accordingly.

Compatible Parts



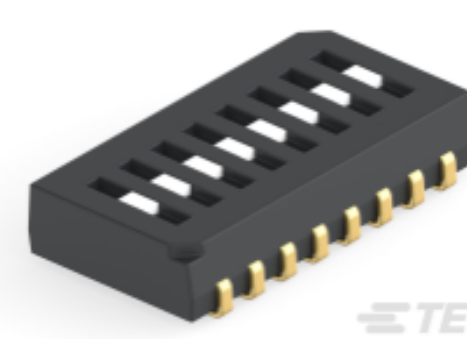
TE Part # 1571983-5
GDH04STR04=DIP SWITCH



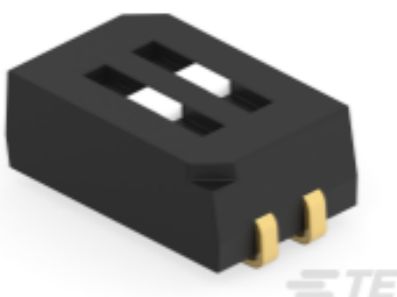
TE Part # 1-1571983-1
GDH08STR04=DIP SWITCH



TE Part # 1571983-4
GDH04S04=DIP SWITCH

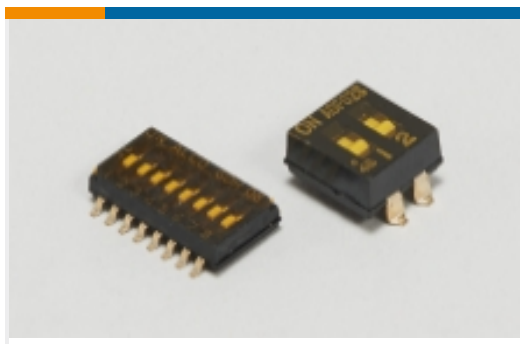


TE Part # 1977830-4
DIP SWITCH GDH08SA04



TE Part # 1977830-1
DIP SWITCH GDH02SA04

Also in the Series | [Alcoswitch DIP](#)

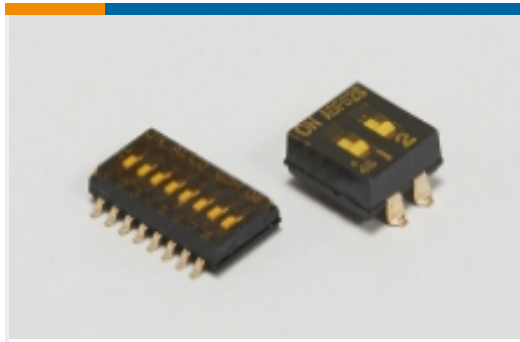


DIP & SIP Switches(185)



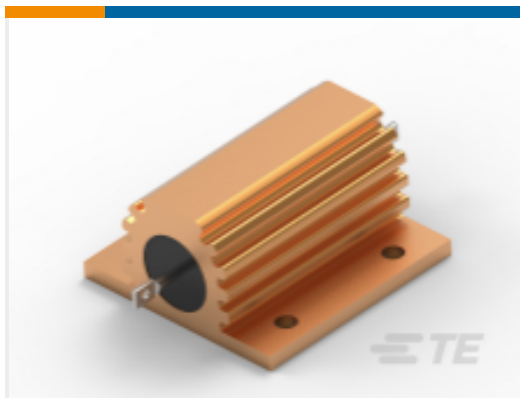
Rotary Switches(16)

Also in the Series | Alcoswitch DIP GDH



DIP & SIP Switches(22)

Customers Also Bought



TE Part #4-1630186-2
Power Resistors: Aluminum Housed,
HSA



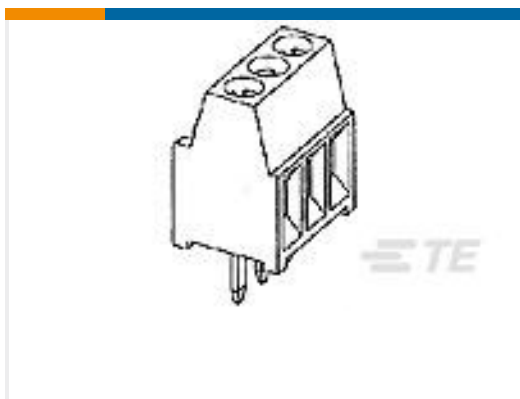
TE Part #2-1393250-7
W28-XQ1A-12=W28



TE Part #1903814-1
INDUSTRIAL USB REC ASSY R/A
1ROW



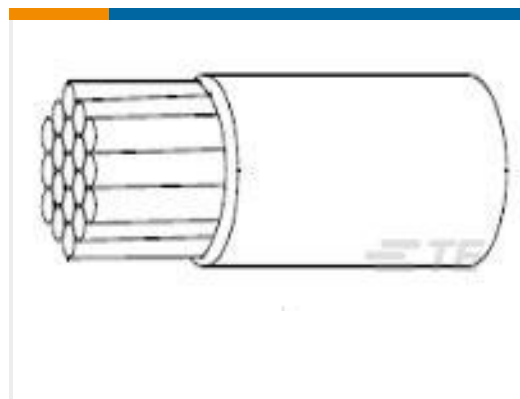
TE Part #1571983-8
GDH06S04=DIP SWITCH



TE Part #282834-2
TERMI-BLOK PCB MOUNT, 90 2P.



TE Part #1437622-2
KLN700A1/4=KNOB KNURL W/IND LI



TE Part #129796-000
22759/33-24-3



TE Part #YDTS24W13-35PAV001
RECP ASSY



TE Part #9-1437621-7
KLN500A1/8=KNOB KNURL W/IND LI



Documents

Product Drawings

[DIP SWITCH GDH10SA04](#)

English

CAD Files

[3D PDF](#)

3D

Customer View Model

[ENG_CVM_CVM_1977830-5_A.2d_dxf.zip](#)

English

Customer View Model

[ENG_CVM_CVM_1977830-5_A.3d_igs.zip](#)

English

Customer View Model

[ENG_CVM_CVM_1977830-5_A.3d_stp.zip](#)

English

By downloading the CAD file I accept and agree to the [Terms and Conditions](#) of use.

Datasheets & Catalog Pages

[SWITCHES_CORE_PROGRAM_CATALOG](#)

English