



PART NUMBER: GC0401S

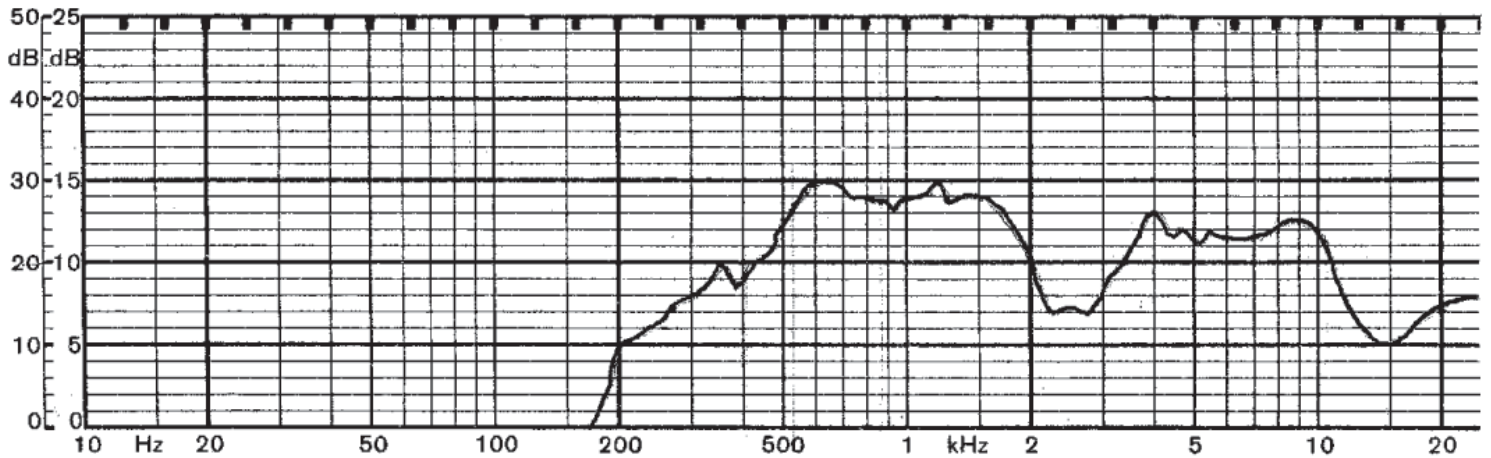
DESCRIPTION: SPEAKER

SPECIFICATIONS

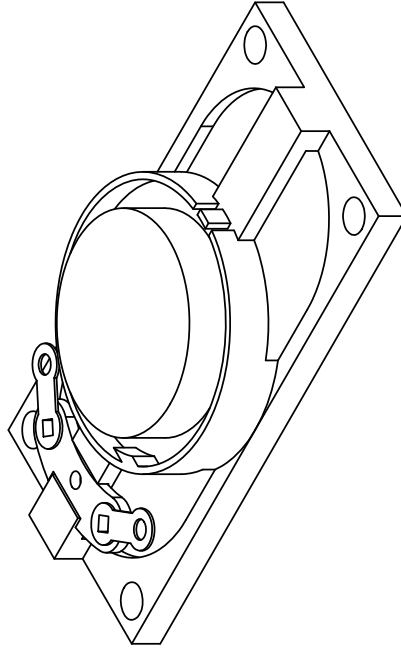
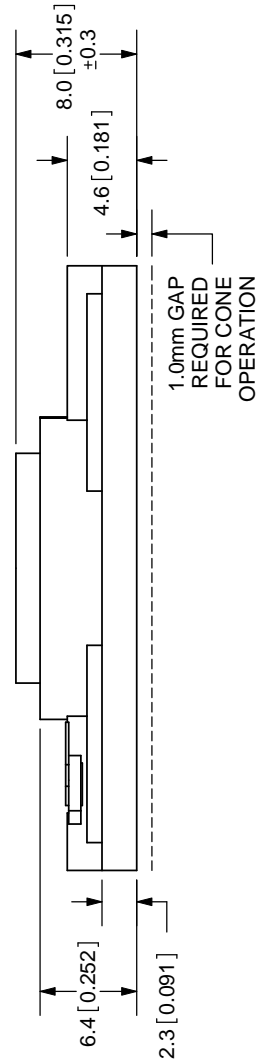
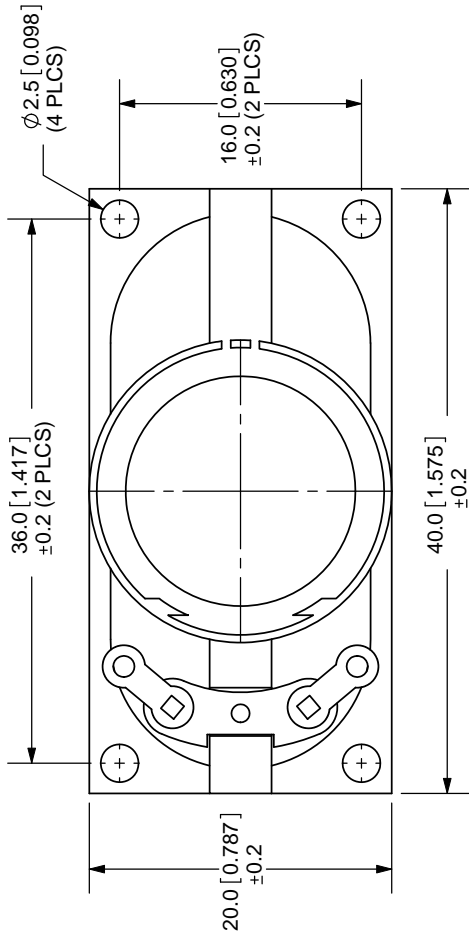
| parameter | conditions/description | min | nom | max | units |
|----------------------|--|-----|-----|--------|--------------|
| nominal size | 20 x 40 mm | | | | |
| impedance | at 1.5k Hz, 1 V | 6.8 | 8 | 9.2 | Ω |
| resonant frequency | at 1 V | 440 | 550 | 660 | Hz |
| sound pressure level | 1 W, 50 cm ave., at 0.6, 0.8, 1, 1.2k Hz | 86 | 89 | 92 | dB |
| response | 10 dB max. | Fo | | 12,000 | Hz |
| input power | | | 1 | 2 | W |
| operation | must be normal at program source | | 1 | | W |
| buzz, rattle, etc. | must be normal at sine wave | | 2.9 | | V dc |
| magnet | size: 11 x 1.5 mm | | | | |
| load test | 24 hours of white noise at | | 1 | | W |
| heat test | 20 ~ 50% RH for 24 hours | 63 | 65 | 67 | $^{\circ}$ C |
| humidity test | 90 ~ 95% RH for 24 hours | 38 | 40 | 42 | $^{\circ}$ C |
| RoHS | yes | | | | |

FREQUENCY RESPONSE CURVE

| parameter | conditions/description |
|-----------------------|------------------------|
| potentiometer range | 50 dB |
| rectifier | RMS |
| lower limit frequency | 20 Hz |
| wr. speed | 100 mm/sec |
| zero level | 60 dB |



| REV. | DESCRIPTION | DATE |
|------|------------------------|------------|
| A | NEW DRAWING | 6/4/2007 |
| B | cone gap diagram added | 10/21/2008 |
| C | terminal update | 12/10/2009 |



TOLERANCE:
±0.5mm UNLESS OTHERWISE
SPECIFIED



CUI INC

20050 SW 112th Ave.
Tualatin, OR 97062
Phone: 503-612-2300
800-275-4899
Fax: 503-612-2383
Website: www.cui.com

TITLE: LOW PROFILE NOTEBOOK SPEAKER REV: C

PART NO: GC0401S UNITS: MM [INCHES]

DRAWN BY: ZRJ APPROVED BY: SCALE: 2:1