

North American Fuse Links

FWA Series

130Vac (UL), 1000 to 4000A

Specifications

Description

North American style flush end high speed fuse links for the protection of DC common bus, DC drives, power converters/rectifiers and reduced voltage starters.

Technical Data

Rated Voltage: 130Vac (UL)

Rated Current: 1000-4000A

Breaking Capacity: 200kA RMS Sym at 130Vac, 50kA at 130Vdc

Standards/Agency Information

CE, UL Recognised on 1000-2000A fuse links.

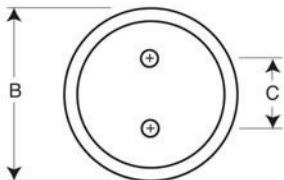


Catalogue Numbers

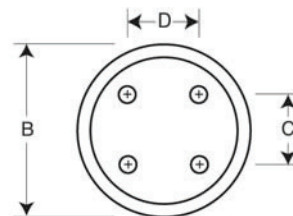
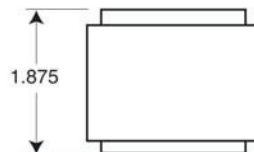
Catalogue Numbers	Rated Voltage	Rated Current (Amps)	I ² t (A ² Sec)		Watts Loss (W)
			Pre-Arcing	Clearing at 130Vac	
FWA-1000AH	130Vac (UL)	1000	170,000	460,000	60
FWA-1200AH		1200	270,000	730,000	70
FWA-1500AH		1500	520,000	1,400,000	78
FWA-2000AH		2000	860,000	2,400,000	108
FWA-2500AH		2500	1,500,000	4,100,000	130
FWA-3000AH		3000	2,100,000	5,700,000	150
FWA-4000AH		4000	3,400,000	9,200,000	257

Dimensions - in

1000-3000A



4000A



Rated Current (Amps)	B	C	D	Thread Depth
1000 to 2000	2	1	-	Tapped $\frac{3}{8}$ "-24 x $\frac{1}{2}$ " UNF
2500 to 3000	3	1.5	-	Tapped $\frac{1}{2}$ "-20 x $\frac{1}{2}$ " UNF
4000	3.5	1.5	1.5	Tapped $\frac{1}{2}$ "-20 x $\frac{1}{2}$ " UNF

1mm = 0.0394/1" = 25.4mm

Data Sheets: 720001, 5785301

North American Fuse Links

FWA Series

150Vac (UL), 70 to 1000A

Specifications

Description

North American style bolted tags high speed fuse links used for the protection of DC common bus, DC drives, power converters/rectifiers and reduced voltage starters.

Technical Data

Rated Voltage: 150Vac (UL)

Rated Current: 70-1000A

Breaking Capacity:

100kA RMS Sym. (70-400A)

200kA RMS Sym. (450-1000A)

20kA at 150Vdc (70-800A)

100kA at 80Vdc (70-1000A)



Standards/Agency Information

CE, UL Recognised.

Catalogue Numbers

Catalogue Numbers	Rated Voltage	Rated Current (Amps)	I ² t (A ² Sec)		Watts Loss (W)
			Pre-Arcing	Clearing at 150Vac	
FWA-70B	150Vac (UL)	70	470	4000	6.9
FWA-80B		80	670	6000	7.7
FWA-100B		100	1200	12,000	9
FWA-125B		125	1870	18,000	11.2
FWA-150B		150	2700	26,000	13.5
FWA-200B		200	4780	45,000	17.6
FWA-250B		250	7470	70,000	22.5
FWA-300B		300	10,760	100,000	27
FWA-350B		350	15,700	140,000	30.6
FWA-400B		400	20,300	180,000	35.2
FWA-500A		500	39,000	120,000	35
FWA-600A		600	46,000	140,000	47
FWA-700A		700	75,000	220,000	49
FWA-800A		800	92,000	280,000	58
FWA-1000A		1000	170,000	510,000	60

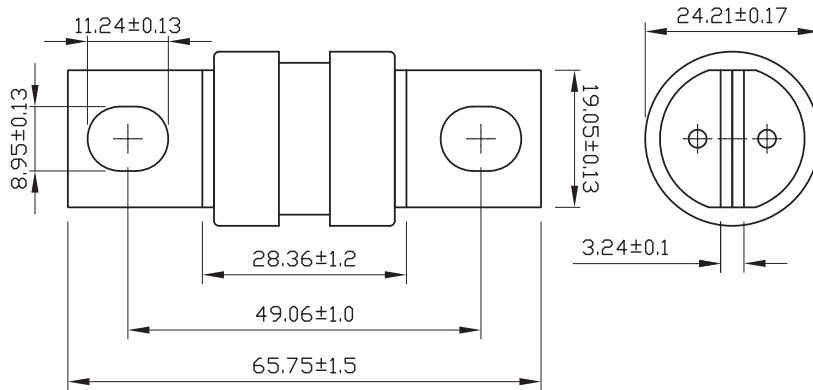
North American Fuse Links

FWA Series

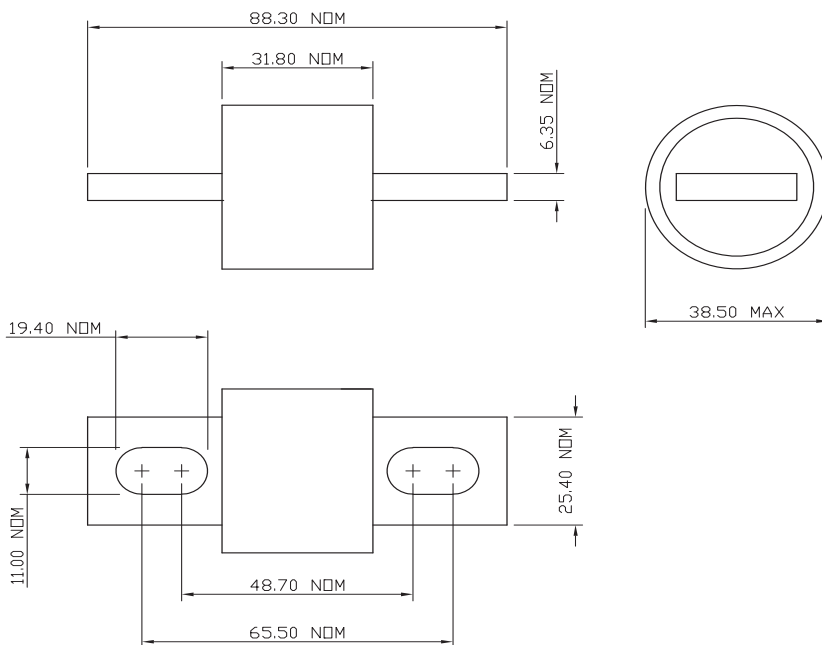
150Vac (UL), 70 to 1000A

Dimensions - mm

70-400A



500-1000A



North American Fuse Links

FWX Series

250Vac (UL), 35 to 2500A

Specifications

Description

North American style bolted tags and flush end high speed fuse links for the protection of DC common bus, DC drives, power converters/rectifiers and reduced voltage starters.

Technical Data

Rated Voltage: 250Vac (UL)
 Rated Current: 35-2500A
 Breaking Capacity: 200kA RMS Sym.
 20kA at 250Vdc (35-800A)



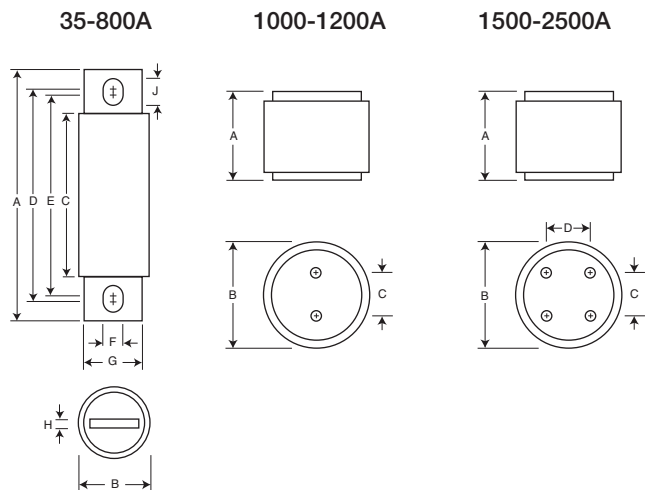
Standards/Agency Information

CE, UL Recognised and CSA Component Acceptance on 35-800A fuse links (20kA IR at 250Vdc).

Catalogue Numbers

Catalogue Numbers	Rated Voltage	Rated Current (Amps)	I ² t (A ² Sec)		Watts Loss (W)
			Pre-Arcing	Clearing at 250Vac	
FWX-35A	250Vac (UL)	35	50	230	4.2
FWX-40A		40	60	310	5.2
FWX-45A		45	80	390	5.7
FWX-50A		50	100	520	6
FWX-60A		60	140	740	8.1
FWX-70A		70	330	1400	7.2
FWX-80A		80	430	1850	8.1
FWX-90A		90	570	2450	9
FWX-100A		100	740	3150	10
FWX-125A		125	1130	4850	12.5
FWX-150A		150	1620	6950	15.7
FWX-175A		175	2170	9300	18.5
FWX-200A		200	2790	12,000	22
FWX-225A		225	3210	14,700	24
FWX-250A		250	3960	18,100	27
FWX-275A		275	4720	21,600	31
FWX-300A		300	6000	27,300	32
FWX-350A		350	10,600	48,600	39
FWX-400A		400	14,500	66,100	44
FWX-450A		450	22,100	101,000	49
FWX-500A		500	28,000	128,000	54
FWX 600A		600	41,100	188,000	62
FWX-700A		700	48,800	190,000	72
FWX-800A		800	59,000	230,000	84
FWX-1000AH		1000	44,000	360,000	100
FWX-1200AH	1200	92,000	750,000	103	
FWX-1500AH	1500	120,000	880,000	140	
FWX-1600AH	1600	160,000	1,200,000	140	
FWX-2000AH	2000	320,000	2,300,000	151	
FWX-2500AH	2500	670,000	4,700,000	163	

Dimensions - in



Amp Range	A	B	C	D	E	F	G	H	J	Tapped Thread Depth
35-60	3.19	0.81	1.59	2.59	2.25	0.34	0.63	0.13	0.52	-
70-200	3.13	1.22	1.59	2.44	2.19	0.34	1	0.19	0.47	-
225-600	3.84	1.5	1.59	2.94	2.25	0.41	1	0.25	0.75	-
700-800	3.84	2	1.59	3.03	2.28	0.41	1.5	0.25	0.78	-
1000-1200	2.59	3	1.5	-	-	-	-	-	-	3/8"-24 x 1/2"UNF
1500-2500	2.59	3.5	1.5	1.5	-	-	-	-	-	

1mm = 0.0394" / 1" = 25.4mm

Data Sheets: 720005, 359 (35-800A), 5785299 (100-2500A)

North American Fuse Links

FWH Series

500Vac (UL), 35 to 1600A

Specifications

Description

North American style bolted tags high speed fuse links, for the protection of DC common bus, power converters/rectifiers and reduced voltage starters.

Technical Data

Rated Voltage: 500Vac (UL)
 Rated Current: 35-1600A
 Breaking Capacity: 200kA RMS Sym.
 50kA at 500Vdc



Standards/Agency Information

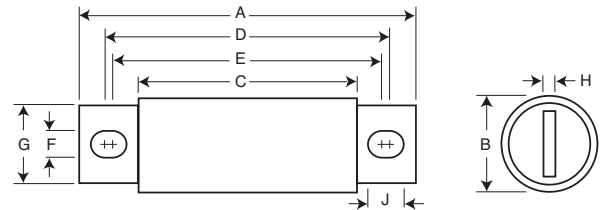
CE, UL Recognised and CSA Component Acceptance on 35-800A only (50kA IR at 500Vdc). UL Recognised on 35-1200A only, CSA Component Acceptance: 35-1600A.

Catalogue Numbers

Catalogue Numbers	Rated Voltage	Rated Current (Amps)	I ² t (A ² Sec)		Watts Loss (W)
			Pre-Arcing	Clearing at 250Vac	
FWH-35B	500Vac (UL)	35	34	150	8
FWH-40B		40	76	320	7.5
FWH-45B		45	105	450	7.5
FWH-50B		50	135	670	7.5
FWH-60B		60	210	900	9.9
FWH-70B		70	210	900	10.6
FWH-80B		80	305	1400	12.7
FWH-90B		90	360	1600	15
FWH-100B		100	475	2000	17
FWH-125B		125	800	3500	25
FWH-150B		150	1100	4600	30
FWH-175B		175	1450	6200	35
FWH-200B		200	1900	8500	40
FWH-225A		225	4600	23,300	39
FWH-250A		250	6300	32,200	41
FWH-275A		275	7900	40,300	46
FWH-300A		300	9800	49,800	51
FWH-325A		325	13,700	63,800	53
FWH-350A		350	14,500	72,900	58
FWH-400A		400	19,200	96,700	65
FWH-450A	450	24,700	127,000	74	
FWH-500A	500	29,200	149,000	84	
FWH-600A	600	41,300	206,000	108	
FWH-700A	700	55,000	298,000	120	
FWH-800A	800	76,200	409,000	129	
FWH-1000A	1000	92,000	450,000	145	
FWH-1200A	1200	122,000	600,000	180	
FWH-1400A	1400	200,000	1,000,000	210	
FWH-1600A	1600	290,000	1,400,000	230	

Dimensions - in

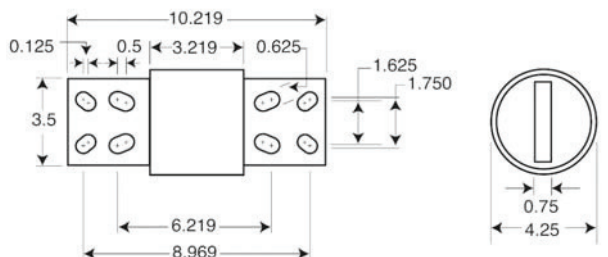
35-1200A



Amp Range	A	B	C	D	E	F	G	H	J
35-60	3.19	0.81	1.59	2.54	2.19	0.34	0.72	0.13	0.52
70-100	3.62	0.95	1.74	2.85	2.81	0.35	0.75	0.13	0.38
125-200	3.62	1.16	1.84	2.89	2.77	0.34	1	0.19	0.41
225-400	4.34	1.5	2.09	3.44	2.75	0.41	1	0.25	0.75
450-600	14.34	2	2.09	3.53	2.78	0.41	1.5	0.25	0.78
700-800	6.34	2.5	2.09	4.97	3.44	0.53	2	0.38	1.30
1000-1200	6.97	3	3.22	5.47	4.48	0.62	2.38	0.44	1.12
1400-1600	refer to drawing								

1mm = 0.0394" / 1" = 25.4mm

1400-1600A - in



Data Sheets: 720007, 360 (225-800A), 5785304 (35-200A, 1000-1600A)

North American Fuse Links

KAC Series

600Vac (UL), 1 to 1000A

Specifications

Description

North American style bolted tags high speed fuse links. These fuse links are supplied as replacements only. For new installations, Bussmann recommends the 700V FWP Series see pages 14-15.

Technical Data

Rated Voltage: 600Vac (UL)
 Rated Current: 1-1000A
 Breaking Capacity: 200kA RMS Sym.

Standards/Agency Information

CE, UL Recognised on 1-600A only.

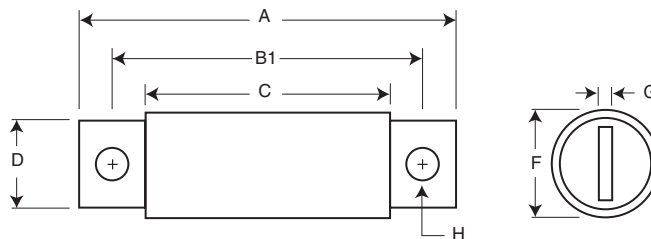


Catalogue Numbers

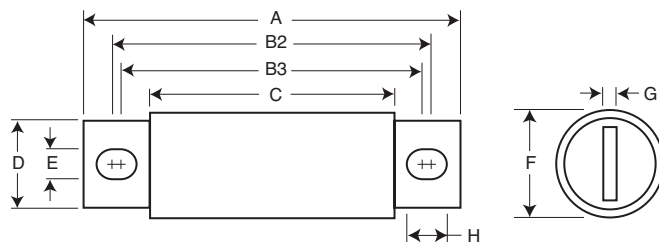
Catalogue Numbers	Rated Voltage	Rated Current (Amps)
KAC-1	600Vac (UL)	1
KAC-2		2
KAC-3		3
KAC-4		4
KAC-5		5
KAC-6		6
KAC-7		7
KAC-8		8
KAC-9		9
KAC-10		10
KAC-12		12
KAC-15		15
KAC-17.5		17.5
KAC-20		20
KAC-25		25
KAC-30		30
KAC-35		35
KAC-40		40
KAC-45		45
KAC-50		50
KAC-60		60
KAC-70		70
KAC-80		80
KAC-90		90
KAC-100		100
KAC-110		110
KAC-125		125
KAC-150		150
KAC-175		175
KAC-200		200
KAC-225	225	
KAC-250	250	
KAC-300	300	
KAC-350	350	
KAC-400	400	
KAC-450	450	
KAC-500	500	
KAC-600	600	
KAC-700	700	
KAC-800	800	
KAC-1000	1000	

Dimensions - in

1-30 and 450-1000A



35-400A



Rated Current (Amps)	A	B1	B2	B3	C	D	E	F	G	H
1-30	2.88	2.5	-	-	1.88	0.41	-	0.56	0.06	0.26
35-60	4.38	-	3.75	3.50	2.75	0.63	0.34	0.81	0.09	0.47
70-100	5	-	4.06	3.66	2.75	0.75	0.41	1	0.13	0.61
110-200	5.14	-	4.39	3.77	2.91	1	0.41	1.5	0.19	0.72
225-400	6.18	-	4.82	4.57	3	1.63	0.56	2	0.25	0.69
450-800	6.25	4.75	-	-	3.06	2	-	2.5	0.25	0.56
1000	7.25	4.75	-	-	3.06	2.75	-	3.5	0.38	0.56

1mm = 0.0394" / 1" = 25.4mm

North American Fuse Links

KBC Series

600Vac (UL), 35 to 800A

Specifications

Description

North American style bolted tags and flush-end high speed fuse links. These fuse links are supplied as replacements only. For new installations, Bussmann recommends the 700V FWP series fuse links, see pages 14-15.



Technical Data

Rated Voltage: 600Vac (UL)

Rated Current: 35-800A

Breaking Capacity: 200kA RMS Sym.

Standards/Agency Information

CE, UL Recognised 35-600A only.

Catalogue Numbers

Catalogue Numbers	Rated Voltage	Rated Current (Amps)
KBC-35	600Vac (UL)	35
KBC-40		40
KBC-45		45
KBC-50		50
KBC-60		60
KBC-70		70
KBC-80		80
KBC-90		90
KBC-100		100
KBC-110		110
KBC-125		125
KBC-150		150
KBC-175		175
KBC-200		200
KBC-225		225
KBC-250		250
KBC-300		300
KBC-350		350
KBC-400		400
KBC-450		450
KBC-500	500	
KBC-600	600	
KBC-800	800	

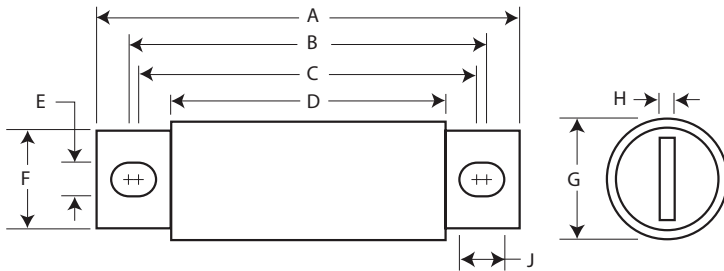
North American Fuse Links

KBC Series

600Vac (UL), 35 to 800A

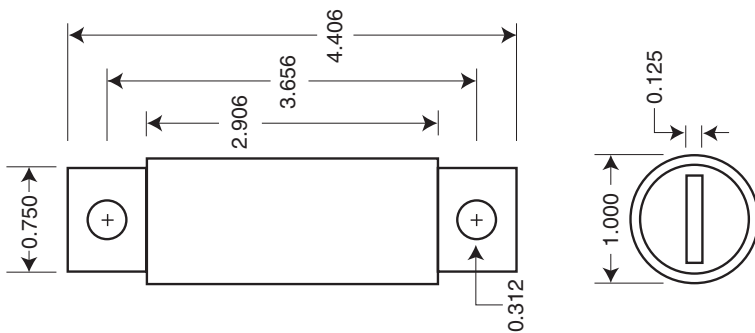
Dimensions - in

35-60 & 110-600A

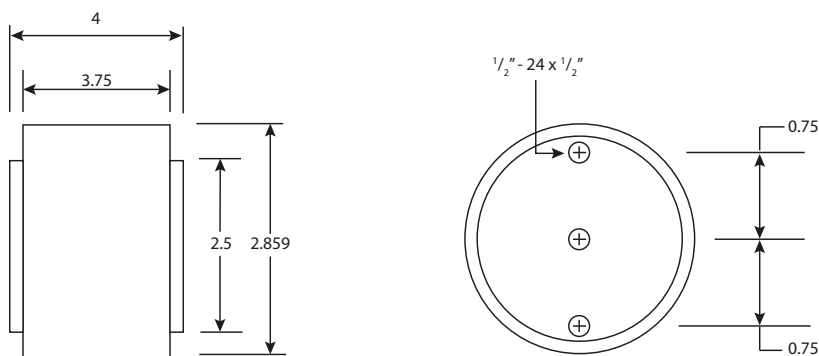


Rated Current (Amps)	A	B	C	D	E	F	G	H	J
35-60	4.38	3.75	3.50	2.75	0.34	0.63	0.81	0.09	0.47
70-100	Refer to drawing								
110-200	4.41	3.72	3.59	2.91	0.31	0.88	1.22	0.19	0.38
225-400	5.13	4.19	3.56	2.91	0.41	1	1.5	0.25	0.72
450-600	5.13	4.39	3.69	2.88	0.41	1.5	2	0.25	0.76
800	Refer to drawing								
1mm = 0.0394" / 1" = 25.4mm									

70-100A



800A



North American Fuse Links

FWP Series

700Vac (UL), 5 to 1200A

Specifications

Description

North American style bolted tags high speed fuse links for the protection of DC common bus, DC drives, power converters/rectifiers, reduced voltage starters.

Technical Data

Rated Voltage: 700Vac (UL)
 Rated Current: 5-1200A
 Breaking Capacity: 200kA RMS Sym.
 50kA at 700Vdc

Standards/Agency Information

CE, UL Recognised on 5-800A only.

Catalogue Numbers

Catalogue Numbers	Rated Voltage	Rated Current (Amps)	I ² t (A ² Sec)		Watts Loss (W)
			Pre-Arcing	Clearing at 700Vac	
FWP-5B	700Vac (UL)	5	1.6	11	1.5
FWP-10B		10	3.6	22	4
FWP-15B		15	10	70	5.5
FWP-20B		20	26	180	6
FWP-25B		25	44	320	7
FWP-30B		30	58	450	9
FWP-35B		35	34	160	12
FWP-40B		40	76	320	12
FWP-50B		50	135	600	12
FWP-60B		60	210	950	15.5
FWP-70B		70	305	2000	18
FWP-80B		80	360	2400	21
FWP-90B		90	415	2700	25
FWP-100B		100	540	3500	27
FWP-125A		125	1800	7300	28
FWP-150A		150	2900	11,700	32
FWP-175A		175	4200	16,700	35
FWP-200A		200	5500	22,000	43
FWP-225A		225	7700	31,300	45
FWP-250A		250	10,500	42,500	48
FWP-300A		300	17,600	71,200	58
FWP-350A		350	23,700	95,600	65
FWP-400A		400	31,000	125,000	78
FWP-450A		450	36,400	137,000	94
FWP-500A	500	45,200	170,000	107	
FWP-600A	600	66,700	250,000	122	
FWP-700A	700	54,000	300,000	125	
FWP-800A	800	78,000	450,000	140	
FWP-900A	900	91,500	530,000	150	
FWP-1000A	1000	120,000	600,000	170	
FWP-1200A	1200	195,000	1,100,000	190	



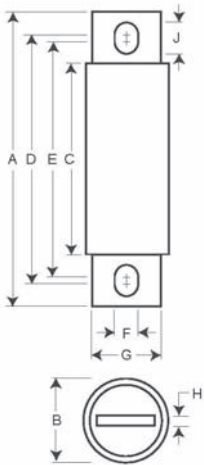
North American Fuse Links

FWP Series

700Vac (UL), 5 to 1200A

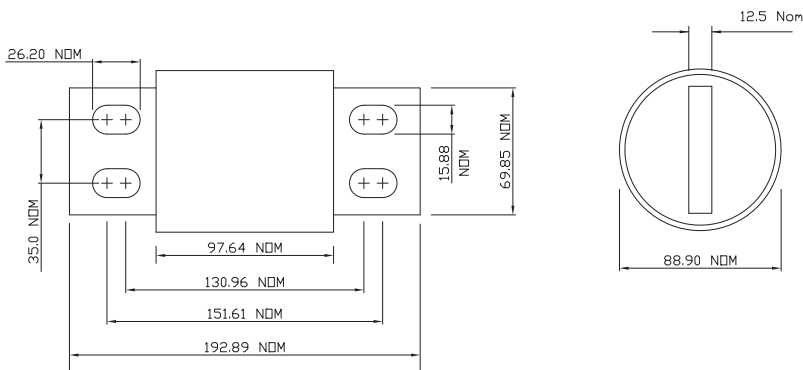
Dimensions

5-800A - in

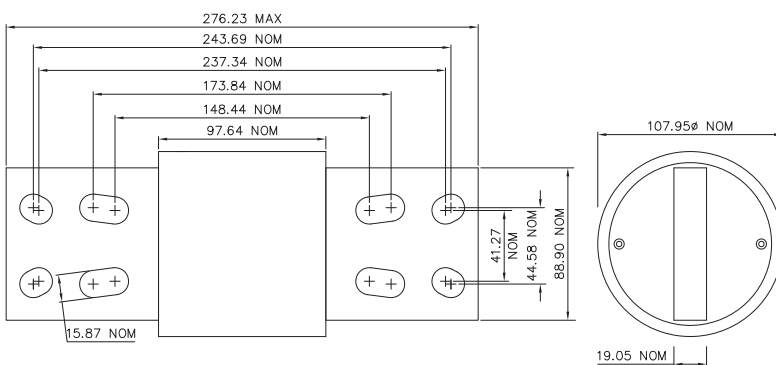


Amp Range	A	B	C	D	E	F	G	H	J
5-30	2.87	0.56	1.86	2.48	2.48	0.25	0.41	0.06	0.25
35-60	4.38	0.81	2.75	3.71	3.31	0.34	0.73	0.13	0.54
70-100	4.41	0.95	2.59	3.63	3.56	0.34	0.75	0.13	0.38
125-200	5.09	1.5	2.84	4.19	3.5	0.41	1	0.25	0.75
225-400	5.09	2	2.84	4.28	3.53	0.41	1.5	0.25	0.78
450-600	7.09	2.5	2.84	5.72	4.19	0.53	2	0.38	1.3
700-800	6.63	2	2.76	5.56	5.06	0.63	1.5	0.25	0.88
900-1000	Refer to drawing								
1200	Refer to drawing								
1mm = 0.0394" / 1" = 25.4mm									

900-1000A - mm



1200A - mm



Data Sheets: 720012, 5785316 (5-30A), 361 (125-600A), 5785308 (35-100A, 700-1200A)

North American Fuse Links

FWJ Series

1000Vac (UL), 35 to 2000A

Specifications

Description

North American style bolted tags high speed fuse links for the protection of DC common bus, DC drives power converters/rectifiers, reduced voltage starters.

Technical Data

Rated Voltage: 1000Vac (UL)
 Rated Current: 35-2000A
 Breaking Capacity: 25kA RMS Sym. (35-200A)
 100kA RMS Sym. (250-2000A)
 50kA at 800Vdc (35-200A and 450-600A)



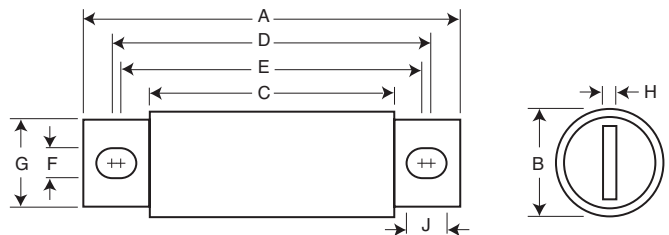
Standards/Agency Information

CE, UL Recognised on 35-600A only.

Catalogue Numbers

Catalogue Numbers	Rated Voltage	Rated Current (Amps)	I ² t (A ² Sec)		Watts Loss (W)
			Pre-Arcing	Clearing at 1000Vac	
FWJ-35A	1000Vac (UL)	35	210	2000	7
FWJ-40A		40	300	2500	8
FWJ-50A		50	470	3500	10
FWJ-60A		60	670	5000	11
FWJ-70A		70	1100	6900	12
FWJ-80A		80	1550	9700	13
FWJ-90A		90	1900	12,000	14
FWJ-100A		100	2800	17,500	15
FWJ-125A		125	4800	35,000	16
FWJ-150A		150	6300	45,000	25
FWJ-175A		175	7500	65,000	30
FWJ-200A		200	11,700	80,000	32
FWJ-250A		250	16,000	112,000	50
FWJ-300A		300	23,500	164,000	56
FWJ-350A		350	33,000	231,000	62
FWJ-400A		400	47,000	330,000	67
FWJ-500A		500	39,500	329,000	95
FWJ-600A		600	61,000	520,000	105
FWJ-800A		800	87,000	500,000	182
FWJ-1000A		1000	190,000	1,100,000	206
FWJ-1200A	1200	370,000	2,100,000	240	
FWJ-1400A	1400	470,000	2,700,000	248	
FWJ-1600A	1600	700,000	4,000,000	267	
FWJ-1800A	1800	925,000	5,300,000	239	
FWJ-2000A	2000	1,330,000	7,600,000	244	

Dimensions - in



Amp Range	A	B	C	D	E	F	G	H	J
35-60	5	0.94	3.11	4.24	4.18	0.35	0.75	0.13	0.38
70-100	4.93	1.13	3.09	4.27	4.16	0.35	1	0.19	0.41
125-200	5.69	1.53	3.26	4.80	4.06	0.45	1	0.25	0.82
250-400	5.77	2	3.5	4.81	4.15	0.43	1.5	0.25	0.76
500-600	7.2	2.5	3.47	5.98	4.71	0.56	2	0.38	1.2
800-2000	6.81	3.5	3.31	5.47	4.96	0.63	2.75	0.5	0.88

1mm = 0.0394" / 1" = 25.4mm