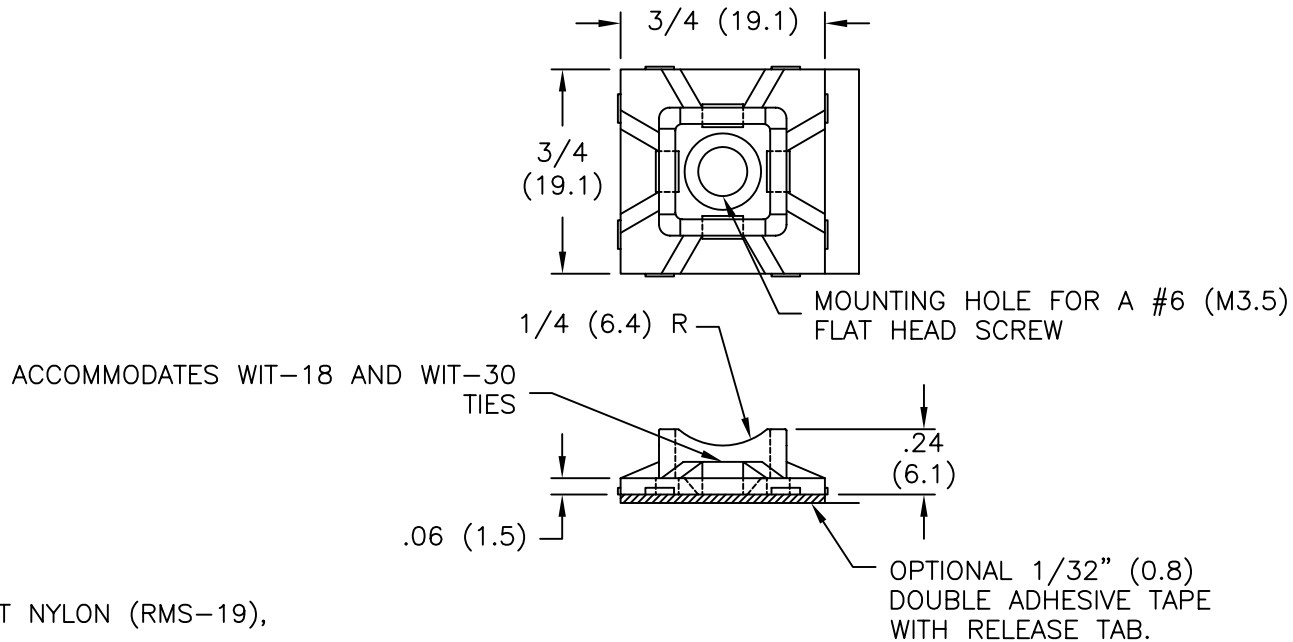


PART NO.	MATERIAL	COLOR	ADHESIVE
FTH-5-01	NYLON 6/6 (RMS-01)	NATURAL	NONE
FTH-5A-RT			ACRYLIC TAPE (RMS-15), WHITE LINER
FTH-5A1-RT			RUBBER TAPE (RMS-102), BLUE LINER
FTH-5-UVB	*UVB NYLON (RMS-46)	BLACK	NONE
FTH-5A-RT-UVB			ACRYLIC TAPE (RMS-15), WHITE LINER

*UVB=UV STABILIZED NYLON, BLACK (RMS-46)



NOTES:

1. FLAME RETARDANT NYLON (RMS-19),
COLOR: NATURAL,
ACRYLIC ADHESIVE TAPE (RMS-15), WHITE LINER,
AVAILABLE BY SPECIAL ORDER ONLY;
TO ORDER USE P/N: FTH-5A-RT-19
OR FTH-5-19 (WITHOUT TAPE).

TITLE: FLAT TIE HOLDER			DWG IN IN (MM) FINAL			
E	COMPLETELY RE-DRAWN & CHANGED FILE#	SM 10.18.01	TOLERANCES UNLESS NOTED	FILE # FTH-5	DWN: P.B.	APP:
D	RUBBER TAPE (RMS-102) ADDED	J.L. 8.22.00	.XX=±.010	MAT'L: SEE NOTES	DT: 06-29-94	DT:
C	MAT'L NOTES UPDATED	J.L. 01.10.00	.XXX=±.005	RE: RICHCO, INC.	RICHCO INC.	
B	RMS-46 ADDED TO PRINT.	J.L. 6.3.98	FRAC=±1/64	PO BOX 804238, CHICAGO, 60680		PART # SEE TABLE
A	CONVERTED TO ACAD	PB 06.29.94	ANG=±1°	(773) 539-4060		PRINT TYPE CA
REV	DESCRIPTION	ENGR DATE				