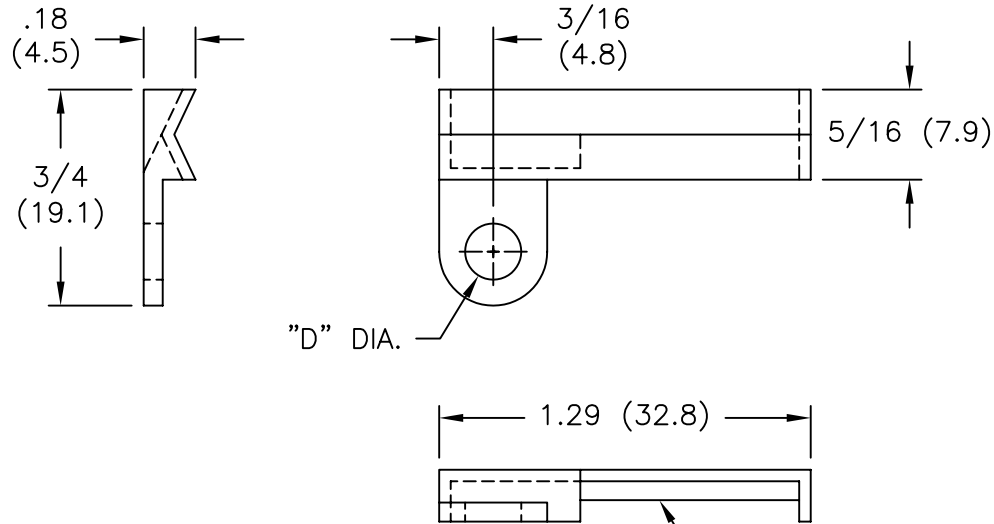


PART NO.	"D" DIA.
FTH-11-8-01	.170 (4.3)
FTH-11-10-01	.195 (5.0)



NOTES:

1. MATERIAL: NYLON 6/6 (RMS-01),
COLOR: NATURAL.
2. FLAME RETARDANT NYLON (RMS-19),
COLOR: NATURAL,
AVAILABLE BY SPECIAL ORDER ONLY;
TO ORDER USE P/N FTH-11-8-19 OR
FTH-11-10-19.

ACCOMMODATES WIT-18 THRU WIT-60 TIES

TITLE: FLAT TIE HOLDER				DWG IN IN (MM)	
TOLERANCES UNLESS NOTED .XX=±.010 .XXX=±.005 FRAC=±1/64 ANG=±1°		FILE # FTH-11 MAT'L: SEE NOTES RE: RICHCO, INC.	DWN: P.B. DT: 12-21-95 APP:	FINAL	
B CHANGED FILE NO. SM 10.25.01		RICHCO INC. PO BOX 804238, CHICAGO, 60680 (773) 539-4060		PART # SEE TABLE	PRINT TYPE CA
A DIM. 3/4 AND FR NYLON (RMS-19) ADDED J.L. 01.07.00					
REV DESCRIPTION ENGR DATE					