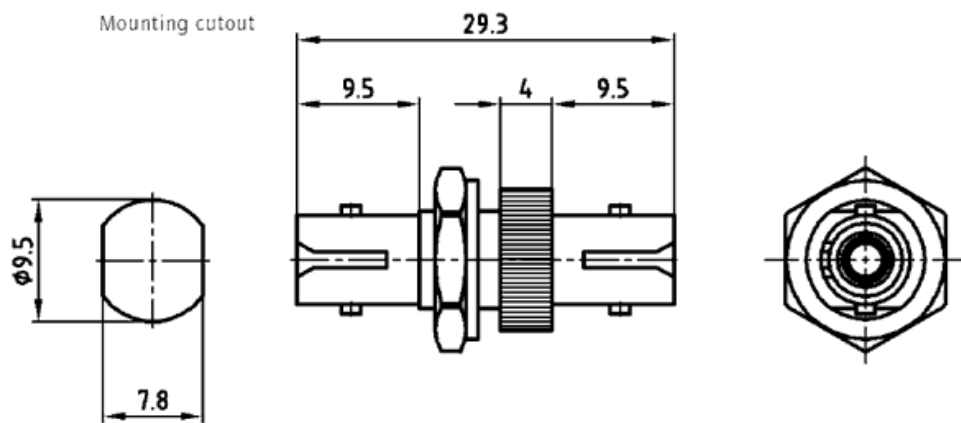




ST-Simplex-Metal Adapters
Singlemode / Multimode

Directive 2002/95/EC
„RoHS“
Compliant

(click on the schematic(s) for a more detailed view)



KAT1iXYA

Technical Data

- Housing material: Metal
- Plating: Nickel
- Sleeve: Phosphor-Bronze
Ceramic
- Adapters are supplied with dust caps

Kat 1 i XYA

Order Table

SM / MM (Singlemode/Multimode)	Sleeve	Outer housing colour	Part number
SM = Singlemode	ceramic	zinc diecast	FSTFST212CCX0X
MM = Multimode	ceramic	zinc diecast	FSTFST211CCX0X
MM = Multimode	phosphor-bronze	zinc diecast	FSTFST211BCX0X

Back