

# FST-21.5A-30 ✓ ACTIVE

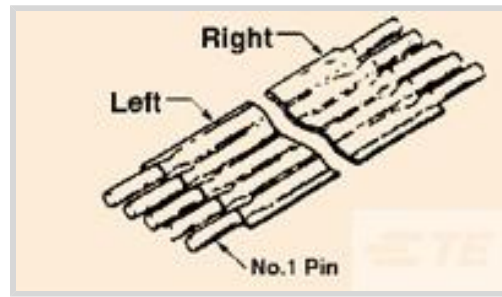
TE Internal #: 2-1437185-2

Wire-to-Board, 30 Position, 2.54 mm [.1 in] Centerline, Length 38.1 mm [1.5 in], Printed Circuit Board, Power & Signal, Wire-to-Board Jumpers & Shunts

[View on TE.com >](#)



Connectors > PCB Connectors > Wire-to-Board Connectors > Wire-to-Board Jumpers & Shunts



Connector System: **Wire-to-Board**

Number of Positions: **30**

Centerline (Pitch): **2.54 mm [.1 in]**

Product Length: **38.1 mm [1.5 in]**

Connector & Contact Terminates To: **Printed Circuit Board**

## Features

### Product Type Features

Connector System	Wire-to-Board
Connector & Contact Terminates To	Printed Circuit Board

### Configuration Features

Number of Conductors	30
Number of Rows	1
Number of Positions	30

### Electrical Characteristics

Operating Voltage	300 VAC
-------------------	---------

### Body Features

Jumper Insulation Material	PTFE
----------------------------	------

### Contact Features

Pin Arrangement (Left)	A
Pin Arrangement (Right)	A
Contact Current Rating (Max)	3 A

### Housing Features

Centerline (Pitch)	2.54 mm[.1 in]
--------------------	----------------

### Dimensions

Wire Size	.25 mm <sup>2</sup>
-----------	---------------------



Product Length 38.1 mm[1.5 in]

### Usage Conditions

Operating Temperature Range -40 – 150 °C[-40 – 302 °F]

### Operation/Application

Circuit Application Power & Signal

### Product Compliance

[For compliance documentation, visit the product page on TE.com>](#)

EU RoHS Directive 2011/65/EU	Compliant
EU ELV Directive 2000/53/EC	Compliant
China RoHS 2 Directive MIIT Order No 32, 2016	No Restricted Materials Above Threshold
EU REACH Regulation (EC) No. 1907/2006	Current ECHA Candidate List: JUNE 2024 (241) Candidate List Declared Against: JUNE 2024 (241) Does not contain REACH SVHC
Halogen Content	Not Low Halogen - contains Br or Cl > 900 ppm.
Solder Process Capability	Not reviewed for solder process capability

#### Product Compliance Disclaimer

This information is provided based on reasonable inquiry of our suppliers and represents our current actual knowledge based on the information they provided. This information is subject to change. The part numbers that TE has identified as EU RoHS compliant have a maximum concentration of 0.1% by weight in homogenous materials for lead, hexavalent chromium, mercury, PBB, PBDE, DBP, BBP, DEHP, DIBP, and 0.01% for cadmium, or qualify for an exemption to these limits as defined in the Annexes of Directive 2011/65/EU (RoHS2). Finished electrical and electronic equipment products will be CE marked as required by Directive 2011/65/EU. Components may not be CE marked. Additionally, the part numbers that TE has identified as EU ELV compliant have a maximum concentration of 0.1% by weight in homogenous materials for lead, hexavalent chromium, and mercury, and 0.01% for cadmium, or qualify for an exemption to these limits as defined in the Annexes of Directive 2000/53/EC (ELV). Regarding the REACH Regulation, the information TE provides on SVHC in articles for this part number is based on the latest European Chemicals Agency (ECHA) 'Guidance on requirements for substances in articles' posted at this URL: <https://echa.europa.eu/guidance-documents/guidance-on-reach>

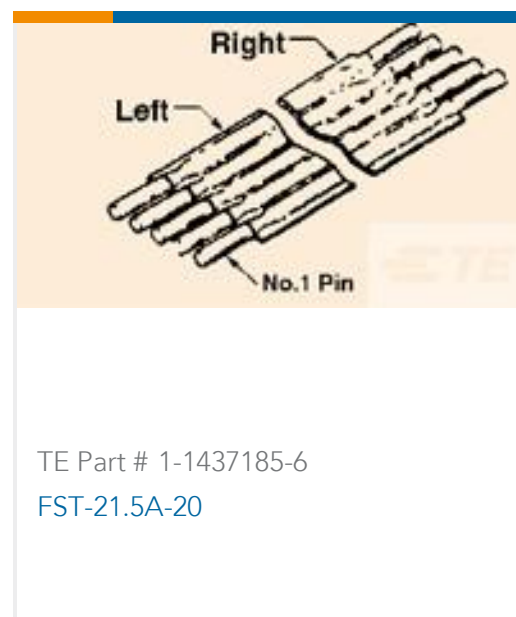
### Compatible Parts



TE Part # 2205305-1  
FST-21.5A-31



TE Part # 3-1437185-1  
FST-21.5A-9



TE Part # 1-1437185-6  
FST-21.5A-20



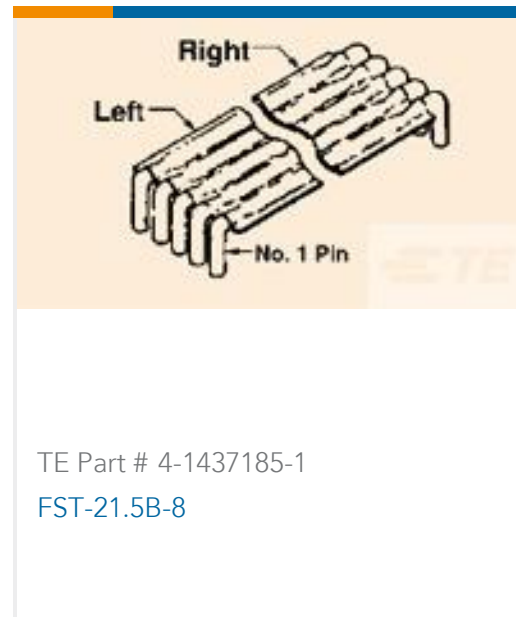
TE Part # 1-1437185-7  
FST-21.5A-22



TE Part # 3-1437185-0  
FST-21.5A-8



TE Part # 4-1437185-3  
FST-21.5Z-12



TE Part # 4-1437185-1  
FST-21.5B-8

### Customers Also Bought



TE Part #352068-1  
Z-PACK/A F-HDR 110P



TE Part #2102736-1  
BP, Center, MULTIGIG RT 2R



TE Part #5103309-2  
A/L LOW PRO HDR 14P VERT BLACK



TE Part #104128-3  
016 LOPRO HDR SP 30DP LATCH



TE Part #ADP-SMAF-SMAF-B-G  
SMA Jack to SMA Jack Bulkhead



TE Part #5536507-1  
2MM FB,ASY,24,SIG,REC,SL,2.73



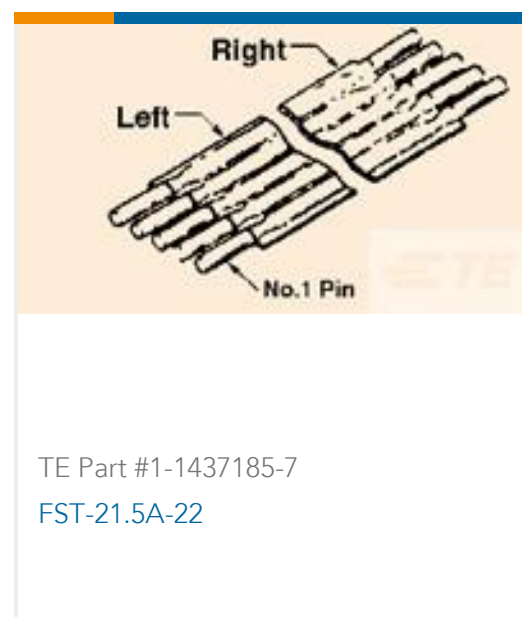
TE Part #2029030-4  
4P MICRO MNL HDR ASY SR SIDE L



TE Part #1218124-5  
50 POS,ASSY,PLUG,LOW PROF,109



TE Part #2205305-1  
FST-21.5A-31



TE Part #1-1437185-7  
FST-21.5A-22

### Documents



### Product Drawings

[FST-21.5A-30](#)

English

---

### Product Specifications

[Product Specification](#)

English

---

### Agency Approvals

[UL Report](#)

English