

3-1474678-7 ✓ ACTIVE

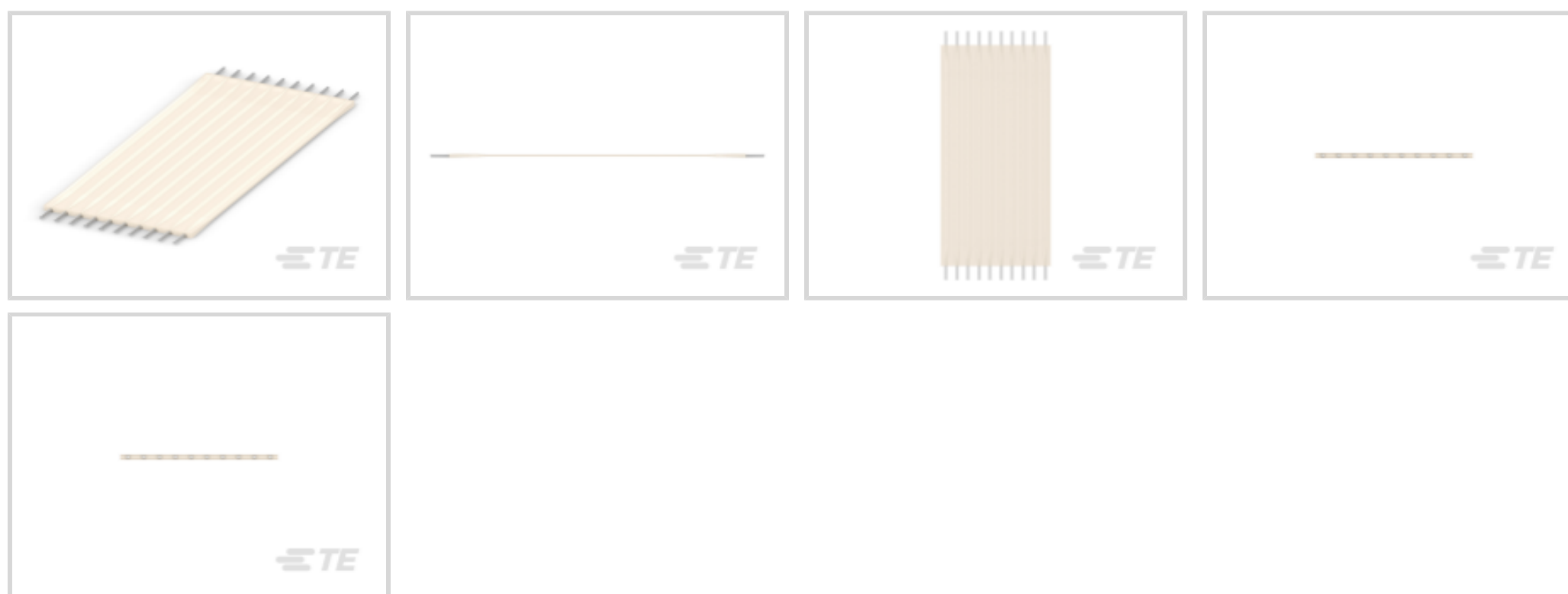


TE Internal #: 3-1474678-7

Wire-to-Board, 6 Position, 2.54 mm [.1 in] Centerline, Length 58.42 mm [2.3 in], Printed Circuit Board, Power & Signal, Wire-to-Board Jumpers & Shunts

[View on TE.com >](#)

Connectors > PCB Connectors > Wire-to-Board Connectors > Wire-to-Board Jumpers & Shunts



Connector System: **Wire-to-Board**

Number of Positions: **6**

Centerline (Pitch): **2.54 mm [.1 in]**

Product Length: **58.42 mm [2.3 in]**

Connector & Contact Terminates To: **Printed Circuit Board**

Features

Product Type Features

Compatible With Discrete Wire Type	Solid
Connector System	Wire-to-Board
Connector & Contact Terminates To	Printed Circuit Board

Configuration Features

Number of Conductors	6
Number of Rows	1
Number of Positions	6

Electrical Characteristics

Impedance	117 Ω
Operating Voltage	300 VAC

Body Features

Jumper Insulation Material	Nomex
----------------------------	-------

Contact Features

Pin Arrangement (Left)	Z
------------------------	---



Pin Arrangement (Right)	Z
-------------------------	---

Contact Current Rating (Max)	3 A
------------------------------	-----

Housing Features

Centerline (Pitch)	2.54 mm [.1 in]
--------------------	-----------------

Dimensions

Wire Size	.25 mm ²
-----------	---------------------

Product Length	58.42 mm [2.3 in]
----------------	-------------------

Usage Conditions

Operating Temperature Range	-40 – 125 °C [-40 – 257 °F]
-----------------------------	-----------------------------

Operation/Application

Circuit Application	Power & Signal
---------------------	----------------

Product Compliance

[For compliance documentation, visit the product page on TE.com>](#)

EU RoHS Directive 2011/65/EU	Compliant
------------------------------	-----------

EU ELV Directive 2000/53/EC	Compliant
-----------------------------	-----------

China RoHS 2 Directive MIIT Order No 32, 2016	No Restricted Materials Above Threshold
---	---

EU REACH Regulation (EC) No. 1907/2006	Current ECHA Candidate List: JUNE 2024 (241) Candidate List Declared Against: JUNE 2024 (241) Does not contain REACH SVHC
--	---

Halogen Content	Not Low Halogen - contains Br or Cl > 900 ppm.
-----------------	--

Solder Process Capability	Not applicable for solder process capability
---------------------------	--

Product Compliance Disclaimer

This information is provided based on reasonable inquiry of our suppliers and represents our current actual knowledge based on the information they provided. This information is subject to change. The part numbers that TE has identified as EU RoHS compliant have a maximum concentration of 0.1% by weight in homogenous materials for lead, hexavalent chromium, mercury, PBB, PBDE, DBP, BBP, DEHP, DIBP, and 0.01% for cadmium, or qualify for an exemption to these limits as defined in the Annexes of Directive 2011/65/EU (RoHS2). Finished electrical and electronic equipment products will be CE marked as required by Directive 2011/65/EU. Components may not be CE marked. Additionally, the part numbers that TE has identified as EU ELV compliant have a maximum concentration of 0.1% by weight in homogenous materials for lead, hexavalent chromium, and mercury, and 0.01% for cadmium, or qualify for an exemption to these limits as defined in the Annexes of Directive 2000/53/EC (ELV). Regarding the REACH Regulation, the information TE provides on SVHC in articles for this part number is based on the latest European Chemicals Agency (ECHA) 'Guidance on requirements for substances in articles' posted at this URL: <https://echa.europa.eu/guidance-documents/guidance-on-reach>

Compatible Parts



TE Part # 2-1474644-9
FSN-22A-15



TE Part # 1474678-7
FSK-12.5KJ-36



TE Part # 3-1474644-0
FSN-22A-24

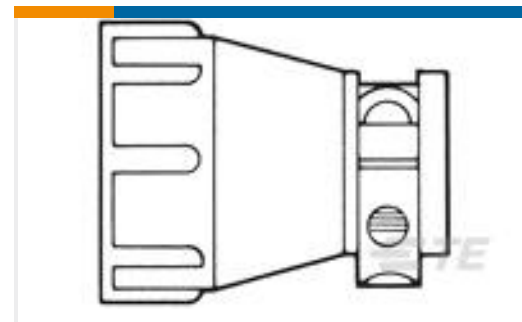


TE Part # 4-1474644-8
FSN-22A-7

Customers Also Bought



TE Part # 206043-1
RECEPT,SZ 17-14 CPC



TE Part # 1-206070-0
CABLE CLAMP KIT, BULK PKG



TE Part # 1-66099-5
III+ PIN,18-16,TIN ,LP



TE Part # 66104-8
III+ SKT,24-20,15AU/FL,STRIP



TE Part # 66102-8
III+ PIN,24-20,15AU/FL,STRIP



TE Part # 66100-8
III+ SKT,18-16,15AU/FL,STRIP



TE Part # 66098-8
III+ PIN,18-16,15AU/FL,STRIP



TE Part # 2-2176230-6
3522 100R 5% 3W



TE Part # 174265-7
ECONO-J MK-2 LOCK PLATE CAP 6P



TE Part # 8-1393104-4
KRPA-14DG-24=KRPA

Documents

Product Drawings

[FSN-22.3Z-6](#)

English

Product Specifications

[Product Specification](#)

English

3-1474678-7

Wire-to-Board, 6 Position, 2.54 mm [.1 in] Centerline, Length 58.42 mm [2.3 in],
Printed Circuit Board, Power & Signal, Wire-to-Board Jumpers & Shunts



[Agency Approvals](#)

[UL Report](#)

English