

1-1825910-9 ✓ ACTIVE

Alcoswitch | Alcoswitch FSM

TE Internal #: 1-1825910-9

Tactile Switches, Round Actuator Style, NO, Brass, Silver, Low Profile, 50mA Contact Current Rating, Operating Voltage 24 VDC, Alcoswitch FSM

[View on TE.com >](#)



Switches > Tactile Switches



Actuator Style: **Round**

Operating Function: **NO**

Contact Base Material: **Brass**

Switch Contact Plating Material: **Silver**

Low Profile: **With**

Features

Product Type Features

Switch Connection Type	Printed Circuit Board
Leg Style	Kinked
Illuminated	With
Actuator Style	Round

Configuration Features

ESD Grounding Terminal	Without
Ganged	With
Switch Feedback Type	Tactile
Operating Function	NO
Support Bracket	Without
Configuration (Pole-Throw)	Single Pole - Single Throw
Number of Actuators	Single

Electrical Characteristics

Operating Voltage	24 VDC
-------------------	--------



Body Features

Cover Material	PET Film
Actuator Force	260 g[9.17 oz]
Case Material	Nylon
Actuator Profile	Extended
Actuator Material	Nylon
Case Color	Black
Product Orientation	Vertical
Actuator Color	Red

Contact Features

Contact Base Material	Brass
Switch Contact Plating Material	Silver
Contact Current Rating	50 mA

Termination Features

Termination Method to Printed Circuit Board	Through Hole - Solder
---	-----------------------

Housing Features

Low Profile	With
Process Sealed	No

Dimensions

Actuator Length	3.7 mm[.146 in]
Button Width	3.3 mm[.13 in]
	.287 in

Usage Conditions

Operating Temperature Range	-40 – 105 °C
-----------------------------	--------------

Packaging Features

Packaging Method	Loose Piece
------------------	-------------

Product Compliance

[For compliance documentation, visit the product page on TE.com>](#)

EU RoHS Directive 2011/65/EU	Compliant
EU ELV Directive 2000/53/EC	Compliant
China RoHS 2 Directive MIIT Order No 32, 2016	No Restricted Materials Above Threshold



EU REACH Regulation (EC) No. 1907/2006

Current ECHA Candidate List: JUNE 2024 (241)

Candidate List Declared Against: JAN 2024 (240)

Does not contain REACH SVHC

Halogen Content

BFR/CFR/PVC Free, but Br/Cl >900 ppm in other sources.

Solder Process Capability

Wave solder capable to 265°C

Product Compliance Disclaimer

This information is provided based on reasonable inquiry of our suppliers and represents our current actual knowledge based on the information they provided. This information is subject to change. The part numbers that TE has identified as EU RoHS compliant have a maximum concentration of 0.1% by weight in homogenous materials for lead, hexavalent chromium, mercury, PBB, PBDE, DBP, BBP, DEHP, DIBP, and 0.01% for cadmium, or qualify for an exemption to these limits as defined in the Annexes of Directive 2011/65/EU (RoHS2). Finished electrical and electronic equipment products will be CE marked as required by Directive 2011/65/EU. Components may not be CE marked. Additionally, the part numbers that TE has identified as EU ELV compliant have a maximum concentration of 0.1% by weight in homogenous materials for lead, hexavalent chromium, and mercury, and 0.01% for cadmium, or qualify for an exemption to these limits as defined in the Annexes of Directive 2000/53/EC (ELV). Regarding the REACH Regulation, the information TE provides on SVHC in articles for this part number is based on the latest European Chemicals Agency (ECHA) 'Guidance on requirements for substances in articles' posted at this URL: <https://echa.europa.eu/guidance-documents/guidance-on-reach>

Compatible Parts



TE Part # 1825910-6
FSM4JH=6MM TACT SWITCH, HIGH TEMP



TE Part # 2-1825910-7
FSM14JH=6MM TACT SWITCH, HIGH TEMP



TE Part # 4-1437565-2
FSM4JSMATR=TACT SWITCH 6X6MIL



TE Part # 3-1437565-0
FSM2JSMATR=ON T/R



TE Part # 2-1977223-8
FSM14JSMAS=6MM TACT SWITCH, SMT 160gf

Also in the Series | [Alcoswitch FSM](#)



Tactile Switches(49)

Customers Also Bought



TE Part #2301828-1
AMPL PLUG HD20, VERT, 15P, B/L, 4-40 INS



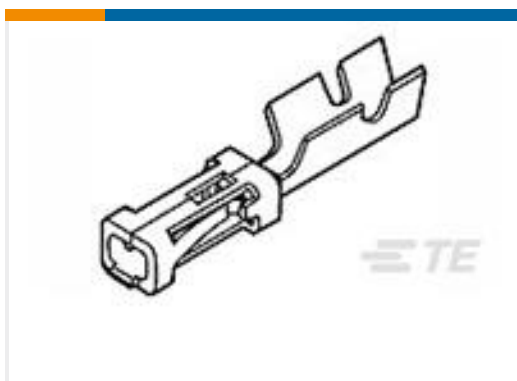
TE Part #87224-3
03 MODII HDR SRST UNSHRD .100



TE Part #1676153-2
RN 0805 10K 0.1% 10PPM 1KRL



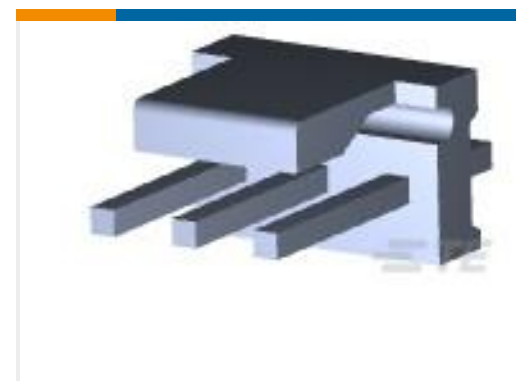
TE Part #2-5767004-2
MICTOR RECEPT ASSY, 38 POS.



TE Part #87756-7
MOD IV RECP LP



TE Part #1-1825910-8
FSM10JH=6MM TACT SWITCH, HIGH TEMP



TE Part #640445-3
03P MTA156 HDR ASSY FL/STR SN



TE Part #7-1393224-6
RY531005



TE Part #1-1564407-1
16POS, MIXED, TAB HSG, ASSY, CODA

Documents

CAD Files

Customer View Model

[ENG_CVM_CVM_1-1825910-9_C.2d_dxf.zip](#)

English

[3D PDF](#)

3D

Customer View Model

[ENG_CVM_CVM_1-1825910-9_C.3d_igs.zip](#)

1-1825910-9

Tactile Switches, Round Actuator Style, NO, Brass, Silver, Low Profile, 50mA Contact
Current Rating, Operating Voltage 24 VDC, Alcoswitch FSM



English

Customer View Model

[ENG_CVM_CVM_1-1825910-9_C.3d_stp.zip](#)

English

By downloading the CAD file I accept and agree to the [Terms and Conditions](#) of use.

Datasheets & Catalog Pages

[SWITCHES_CORE_PROGRAM_CATALOG](#)

English