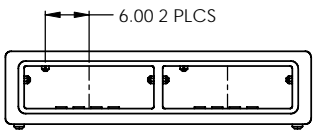
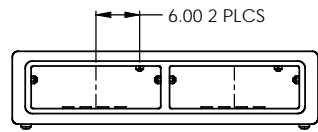


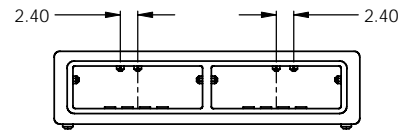
REVISIONS				
REV	ECN	DESCRIPTION	DATE	APPROVED
P		CAGE COVER MATERIAL CHANGE	06/06/06	ZLJ



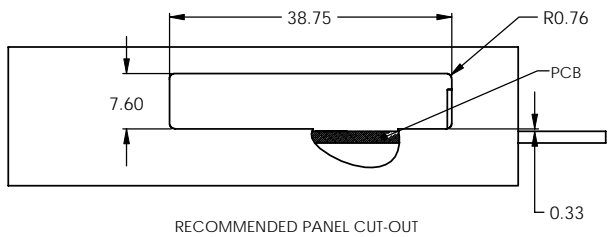
KEY #1-1



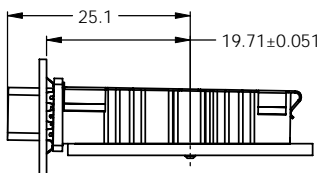
KEY #7-7



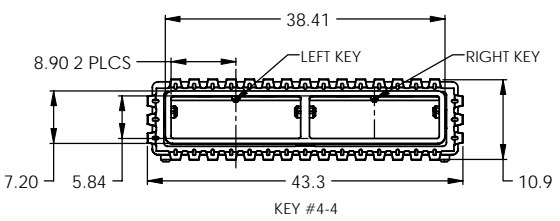
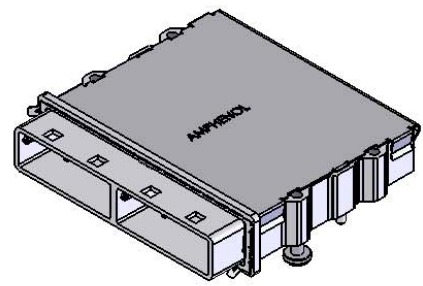
KEY #2, 4 - 4, 6



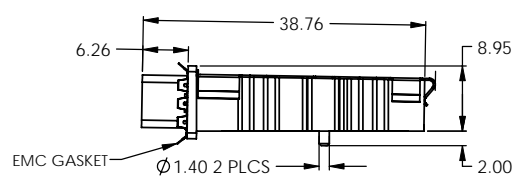
RECOMMENDED PANEL CUT-OUT



RECOMMENDED FACE PLATE TO LOCATING POST DISTANCE

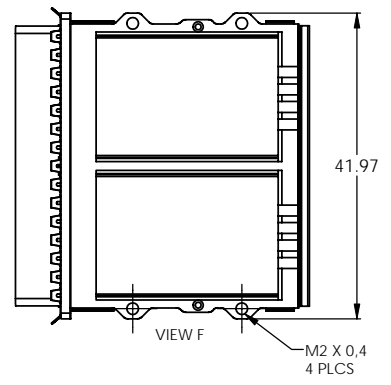


KEY #4-4

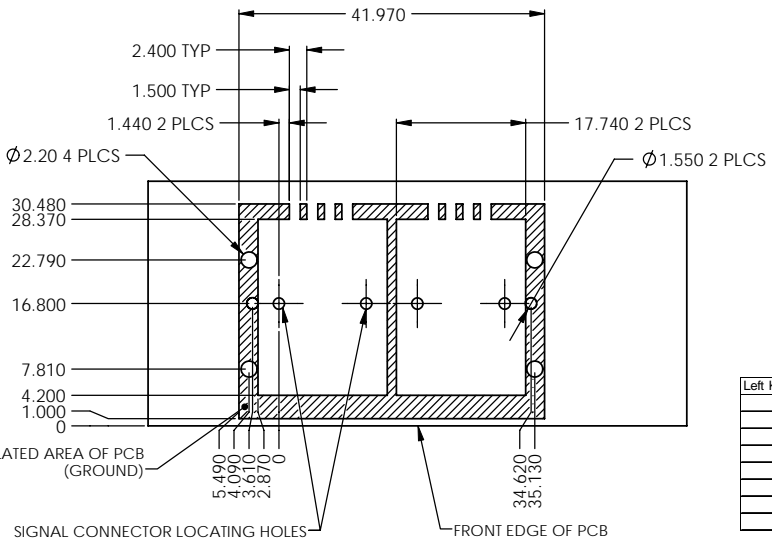


EMC GASKET

8.00
M2 X 0.4
MOUNTING SCREW
QTY 4 SUPPLIED
(SEE NOTE 4)



VIEW F



RECOMMENDED PCB LAYOUT

Left Key Option	Right Key Option	Part Number	Description
0	0	FS1-S02-10E1	No Key
1	1	FS1-S02-11E1	SATA 'X' Cable
4	4	FS1-S02-14E1	SAS Universal Port
7	7	FS1-S02-17E1	SATA 'M' Cable
2, 4	2, 4	FS1-S02-1D22E1	SAS Out Port
4, 6	4, 6	FS1-S02-1D66E1	SAS In Port
2, 4	4, 6	FS1-S02-1D26E1	SAS Out/In Port
4, 6	2, 4	FS1-S02-1D62E1	SAS In/Out Port

NOTES:

- 1) MATERIAL:
MAIN CAGE: ZINC DIECAST SHELL WITH 150 MICROINCHES OF NICKEL PLATING
EMC GASKET: STAINLESS STEEL
COVER: STAINLESS STEEL
- 2) ROHS COMPLIANT
- 3) COMPLIES WITH SFF-8088 EXCEPT WHERE NOTED.
- 4) NO MOUNTING SCREW OPTION: ADD "-N" SUFFIX TO PART NUMBER SHOWN. FOR EXAMPLE, FS1-S02-14E1-N FOR KEY 4, NO MOUNTING SCREWS.

DO NOT SCALE DRAWING

THIS DOCUMENT CONTAINS PROPRIETARY INFORMATION AND SUCH INFORMATION MAY NOT BE DISCLOSED TO OTHERS FOR ANY PURPOSE OR USED FOR MANUFACTURING PURPOSES WITHOUT PERMISSION FROM AMPHENOL CANADA CORP.

UNLESS OTHERWISE SPECIFIED DIMENSIONS ARE IN MILLIMETERS TOLERANCES ARE: DECIMALS ANGLES XX ± 0.25 ± 2° .XX ± 0.10 XXX ± 0.05 MATERIAL AND FINISH	APPROVALS DRAWN YK CHECKED YK GA APPD	DATE 06/DEC/06 06/DEC/06	Amphenol Canada Corp. MINI SAS 1 DEGREE 2 PORT CAGE
ENG REL NO: EAR 123XX CODE IDENT NO: 03554	E APPD SNG APPD	REV: C NLS	P-FS1-S02-1XE1 SFF REV: P SHEET 1 OF 1