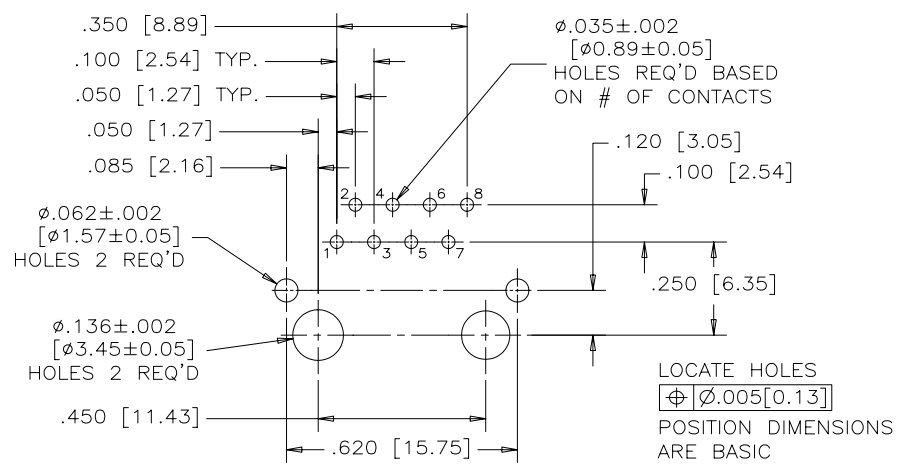
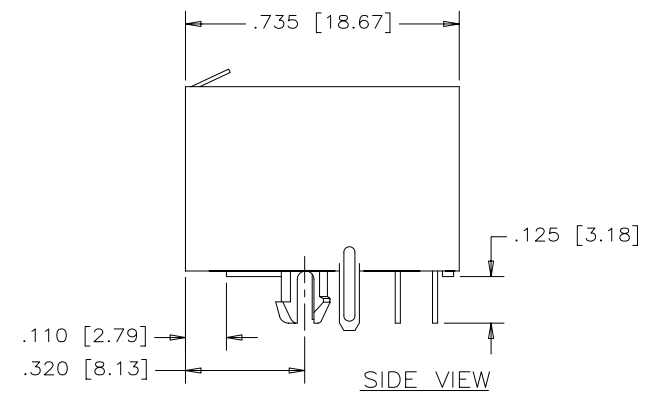
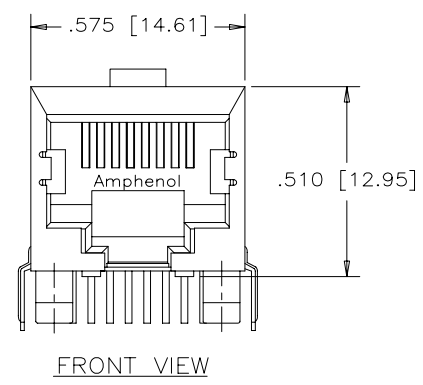


REVISIONS				
SYM	ZONE	ECN, ERN NO.	DATE	APPRD.
A		PROPOSAL	00/03/24	
B		ADD HOLE TOLERANCES.	00/04/12	L.C.
C		CHG FP DIM .590 TO .620	OCT.1/04	K.L.

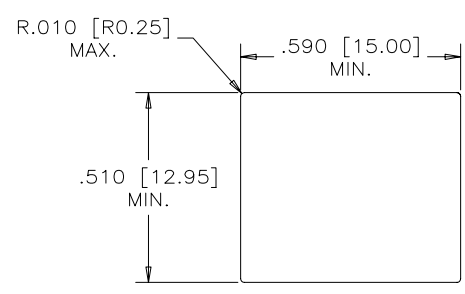


RECOMMENDED P.C.B. LAYOUT  
 (COMPONENT SIDE OF BOARD)  
 (FRJA-468 SHOWN, FOOTPRINT FOR  
 OTHER PART NUMBERS BASED ON  
 # OF CONTACTS & RELATED POSITIONS)

MATERIALS:  
 PLASTIC HOUSING: ENGINEERING THERMOPLASTIC  
 FLAMMABILITY RATING UL 94V-0

CONTACTS:  
 PHOSPHOR BRONZE  
 PLATING: 50μ" [1.27 MICRONS]  
 MIN. GOLD ON MATING SURFACES.  
 50μ" [1.27 MICRONS]  
 MIN. NICKEL UNDERPLATE  
 100μ" [2.54 MICRONS]  
 MIN. TIN/LEAD ON CONTACT TAILS.

SHIELD:  
 COPPER ALLOY  
 PLATING: TIN-LEAD ALLOY



RECOMMENDED PANEL CUTOUT

PART NUMBER: FRJA-46X

CONTACTS:  
 2 = 2 CONTACTS LOADED IN POSITION 4 & 5.  
 4 = 4 CONTACTS LOADED IN POSITION 3 TO 6.  
 6 = 6 CONTACTS LOADED IN POSITION 2 TO 7.  
 8 = 8 CONTACTS LOADED IN POSITION 1 TO 8.  
 C = 2 CONTACTS LOADED IN POSITION 3 & 6.

THIS DOCUMENT CONTAINS PROPRIETARY INFORMATION AND SUCH INFORMATION  
 MAY NOT BE DISCLOSED TO OTHERS FOR ANY PURPOSE OR USED FOR MANUFACTURING  
 PURPOSES WITHOUT WRITTEN PERMISSION FROM AMPHENOL CANADA CORP.

DRAWN	L.CHAN	DATE	00/03/24	Amphenol Canada Corp.						
DESIGNED										
CHECKED	R.PIKE	DATE	00/03/24							
I. E. APPRD.										
Q. A. APPRD.				TITLE	MODULAR JACK, 8 POSITIONS, WITH FERRITE, SHIELDED (REAR TAB)					
DWG. APPRD.				DWG	DRAWING NO.	P-FRJA-46X	REV.	C		
ENG. REL. NO.				DIMENSIONS ARE IN	CODE ID. NO.	03554	SCALE	WT. -----	SURF. -----	SHEET 1 OF 1
REF.				INCHES [mm]						