

DETAILS

Product Number	FP11852_LISA2-O-90-PIN
Family	Lisa2
Type	Assembly
Color	black
Diameter	9,9 mm
Height	6,6 mm
Style	round
Optic Material	PMMA
Holder Material	PC
Fastening	pin, glue
Status	ready
ROHS Compliant	Yes
Date Updated	3/09/2015

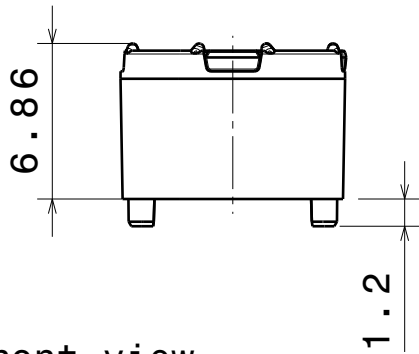


OPTICAL PROPERTIES

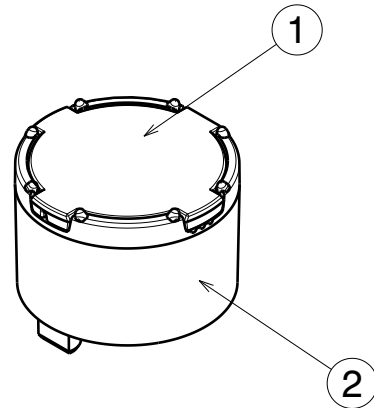
LED	Viewing	Light	Effi-		
	Angle	Beam	ciency	cd/lm	Connector
Oslon Square EC	sim: 10+40	O-90	82 %	2.760	-
Oslon SSL 80	48+19 deg	O-90	80 %	sim: 0.000	-
Oslon SSL 150	48+19 deg	O-90	-	-	-

D C B A

4

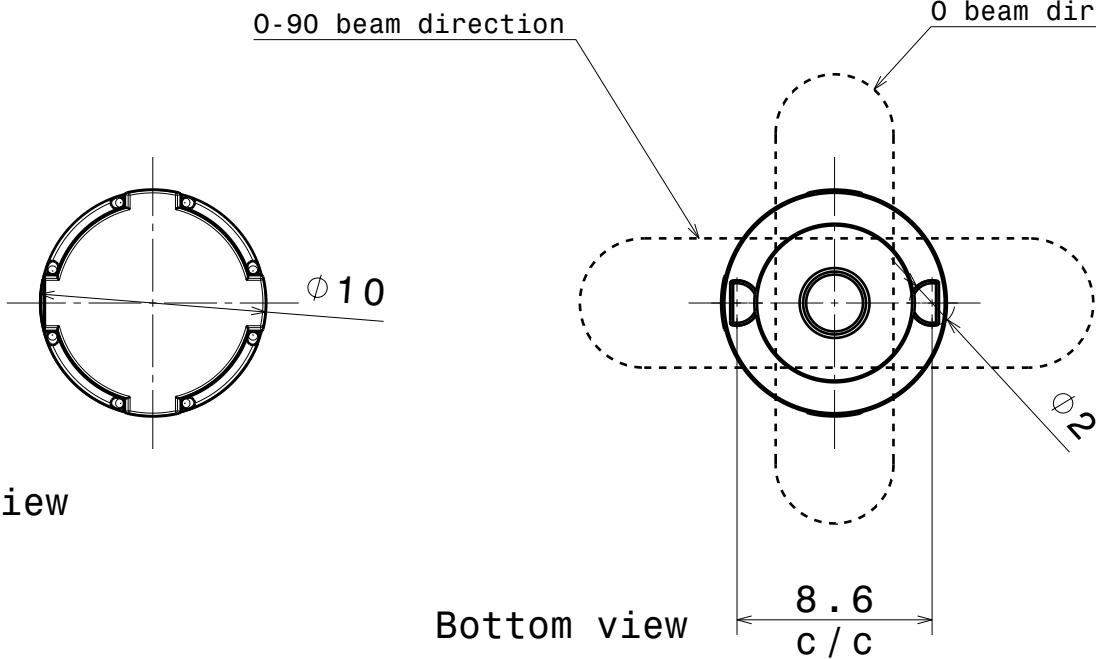


Front view



Isometric view

3



Top view

Bottom view

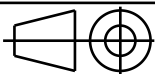
INDEX	DESCRIPTION	MATERIAL	COLOUR
1	Lens	PMMA	clear
2	Holder	PC	black

Tolerances if not otherwise shown
According to DIN ISO 2768-1
Linear measures:
Up to 30mm class M, otherwise class C.
According to DIN ISO 2768-2
Form and position: class L



Ledil Oy
Salorankatu 10
FIN 24240 SALO
Finland

THIRD ANGLE PROJECTION:



DRAWING TITLE

LISA2-0/0-90 Datasheet

This drawing is the property of LEDiL Oy. It may not be reproduced, copied or communicated without a written agreement with LEDiL Oy.

SIZE PART NUMBER

A4

-

SCALE 3:1 WEIGHT

-

SHEET 1/1

2

1

D

A

NOTE: The typical divergence will be changed by different color, chip size and chip position tolerance. The typical total divergence is the full angle measured where the luminous intensity is half of the peak value.