

LISA2-WWW-CLIP

~80° wide beam optimized for CREE XP-E. 7.0 mm high variant with clip installation.

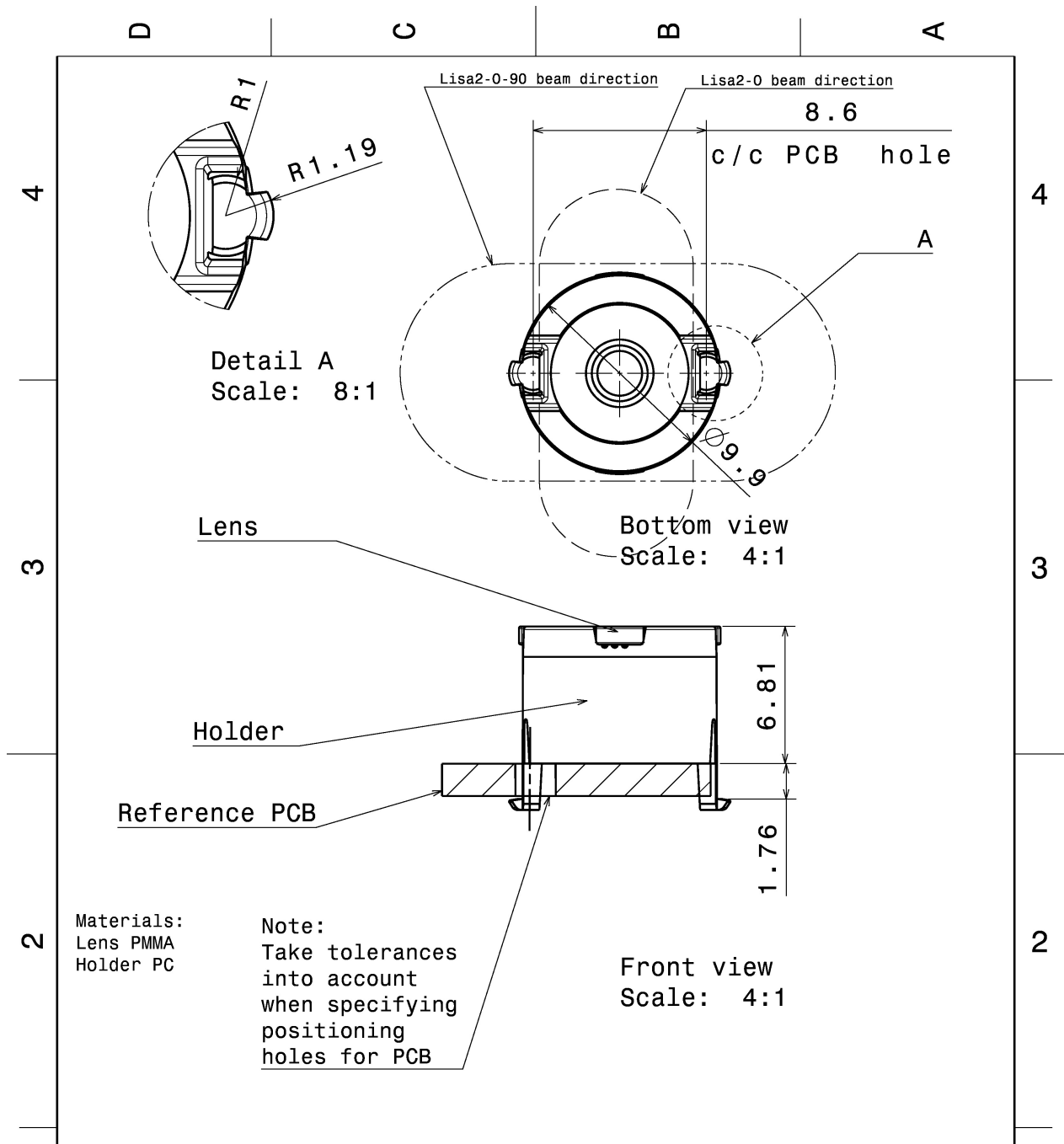
TECHNICAL SPECIFICATIONS:

Dimensions	Ø 9.9 mm
Height	7 mm
Fastening	glue, clips
Colour	black
Box size	
Box weight	1.4 kg
Quantity in Box	2000 pcs
ROHS compliant	yes ⓘ



MATERIAL SPECIFICATIONS:

Component	Type	Material	Colour
LISA2-WWW	Lens	PMMA	clear
LISA2-HLD-CLIP16-XP	Holder	PC	black



This drawing is our property. It can't be reproduced or communicated without our written agreement.		LEDiL		Ledil Oy Tehdaskatu 13 FIN-24100 SALO Finland	
DRAWING TITLE					
DRAWN BY ch		DATE 20.7.2011		Datasheet Lisa2-clip16-XP series Assy	
CHECKED BY sn	DATE 20.7.2011	SIZE A4	DRAWING NUMBER		REV 2
DESIGNED BY hh	DATE 19.10.2009	SCALE 4:1	WEIGHT (g)	SHEET 1/1	

PHOTOMETRIC DATA (MEASURED):

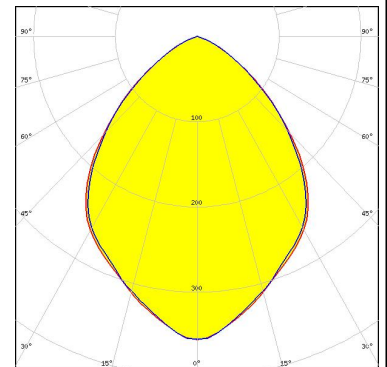
CREE 

LED XP-E
FWHM 84.0°
Efficiency 77 %
Peak intensity 0.500 cd/lm
Required components:



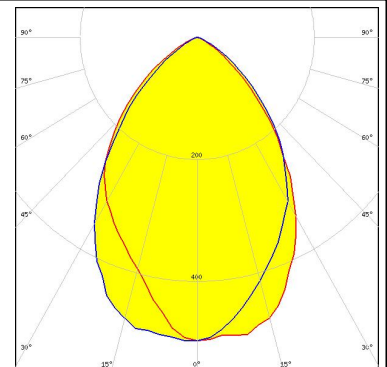
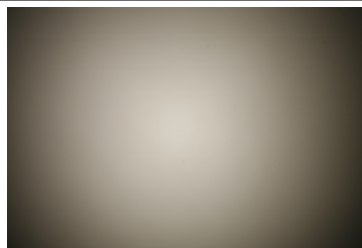
CREE 

LED XP-G
FWHM 86.0°
Efficiency 72 %
Peak intensity cd/lm
Required components:



LUMILEDS 

LED LUXEON Rebel ES
FWHM 74.0°
Efficiency 73 %
Peak intensity 0.500 cd/lm
Required components:



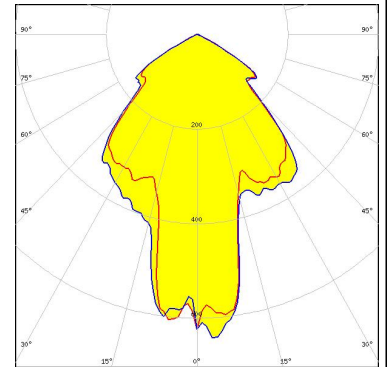
PHOTOMETRIC DATA (SIMULATED):



LED XQ-E
FWHM 70.0°
Efficiency 81 %
Peak intensity 0.600 cd/lm
Required components:



LED Synios P2720 1 mm
FWHM 74.0°
Efficiency 87 %
Peak intensity 0.660 cd/lm
Required components:



SEOUL SEMICONDUCTOR

LED Z5
FWHM 70.0°
Efficiency %
Peak intensity cd/lm
Required components:



LED Double Dome (GM2BB)
FWHM 70.0°
Efficiency %
Peak intensity cd/lm
Required components:

GENERAL INFORMATION:

NOTE: The typical beam angle will be changed by different color, chip size and chip position tolerance. The typical total beam angle is the full angle measured where the luminous intensity is half of the peak value.

MATERIALS:

As part of our continuous research and improvement processes, and to ensure the best possible quality and availability of our products, LEDiL reserves the right to change material grades without notice.

PRODUCT DATA USER AGREEMENT AND DISCLAIMER:

The measured data in the provided downloadable LEDiL Product Datasheets and Mechanical 2D-Drawings is rounded and provided as reference for planning. LEDiL Oy's optical specifications have been verified by conducting performance testing of the products in accordance with the company's quality system. The reported data are averaged results of multiple measurements with typical variation. LEDiL Oy reserves the right to without prior notification make changes and improvements to its products.

LEDiL Oy assumes neither warranty, nor guarantee nor any other liability of any kind for the contents and correctness of the provided data. The provided data has been generated with highest diligence but the provided data may in reality not represent the complete possible variation range of all intrinsic parameters. Therefore, in certain cases a deviation from the provided data could occur.

LEDiL Oy reserves the right to undertake technical changes of its products without further notification which could lead to changes in the provided data. LEDiL Oy assumes no liability of any kind for the possible deviation from any provided data or any other damage resulting from the usage of the provided data.

The user agrees to this disclaimer and user agreement with the download or usage of the provided files.

LEDiL Oy

Joensuunkatu 13
FI-24240 SALO
Finland

LEDiL Inc.

228 West Page Street
Suite D
Sycamore IL 60178
USA

Local sales and technical support

[www.ledil.com/
where_to_buy](http://www.ledil.com/where_to_buy)

Shipping locations

Salo, Finland
Hong Kong, China

Distribution Partners

[www.ledil.com/
where_to_buy](http://www.ledil.com/where_to_buy)