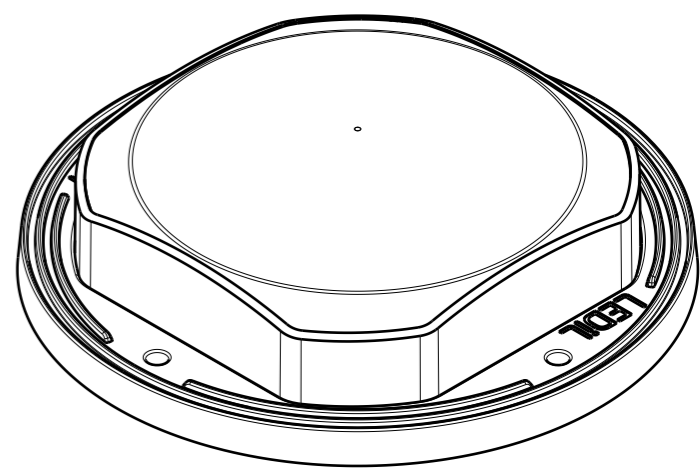
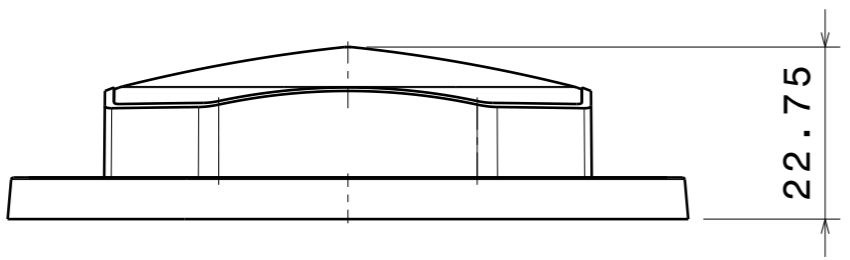
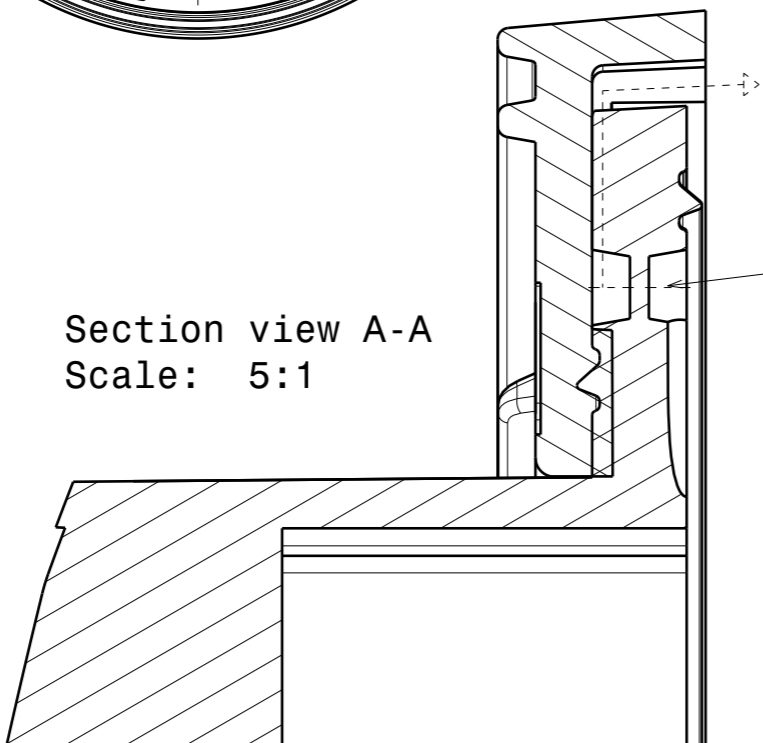
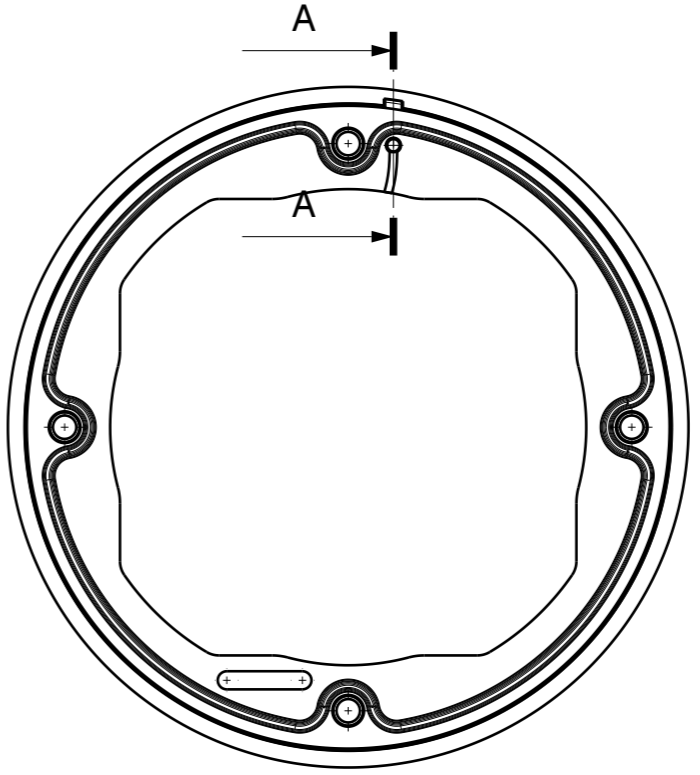
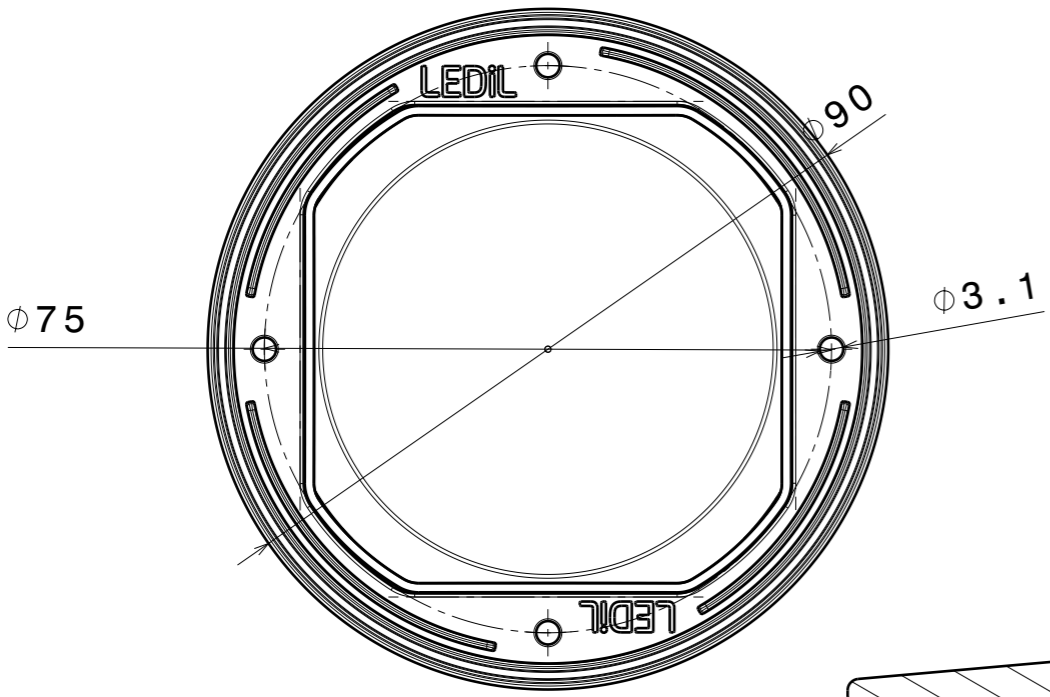


H G F E D C B A



Isometric view  
Scale: 1:1



Section view A-A  
Scale: 5:1

Venting pipe:  
Piercing this membrane  
will Allow lens breathing

INDEX	PART NO	DESCRIPTION	MATERIAL	COLOUR
1	F14627	STELLA-FRESNEL	Optical grade LSR	
	C13322	STELLA-FRAME	PA66GF30	black

Tolerances if not otherwise shown  
According to DIN ISO 2768-1  
Linear measures:  
up to 30mm class M, otherwise class C  
According to DIN ISO 2768-2  
Form and position: class L

**LEDiL** LediL Oy  
Salorankatu 10  
FIN 24240 SALO  
Finland

THIRD ANGLE PROJECTION:

DRAWING TITLE  
**FN14720\_STELLA-FRESNEL**

This drawing is the property  
of LEDiL Oy. It may not be  
reproduced, copied or  
communicated without a written  
agreement with LEDiL Oy.

SIZE PART NUMBER  
**A3 FN14720**

SCALE 1:1 WEIGHT 34,65 g SHEET 1/1

H G B A