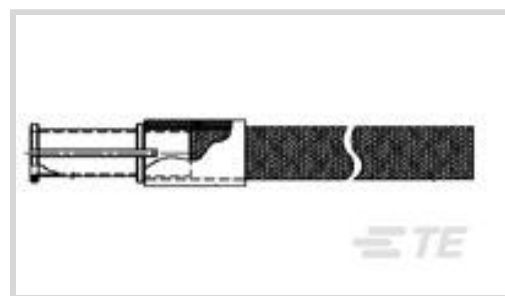




Connectors > Connector Accessories > Connector Backshells



Connector Backshell Product Style: **Screened**

Connector Backshell Product Type: **Backshell**

Primary Product Material: **Aluminum Alloy**

Primary Product Plating Material: **Electroless Nickel**

Termination Device Type: **Ferrule, HexaShield F**

Features

Product Type Features

Connector Backshell Product Style	Screened
Connector Backshell Product Type	Backshell
Termination Device Type	Ferrule, HexaShield F

Body Features

Primary Product Material	Aluminum Alloy
Primary Product Plating Material	Electroless Nickel

Housing Features

Compatible With Connector Shape	Circular
---------------------------------	----------

Product Compliance

[For compliance documentation, visit the product page on TE.com>](#)

EU RoHS Directive 2011/65/EU	Compliant
EU ELV Directive 2000/53/EC	Compliant
China RoHS 2 Directive MIIT Order No 32, 2016	No Restricted Materials Above Threshold
EU REACH Regulation (EC) No. 1907/2006	Current ECHA Candidate List: JUNE 2024 (241) Candidate List Declared Against: JAN 2024 (240) SVHC > Threshold: Pb (.28% in Component part) <small>Article Safe Usage Statements:</small>



Do not eat, drink or smoke when using this product. Wash thoroughly after handling. Recycle if possible and dispose of the article by following all applicable governmental regulations relevant to your geographic location.

Halogen Content

Low Halogen - Br, Cl, F, I < 900 ppm per homogenous material. Also BFR/CFR/PVC Free

Solder Process Capability

Not applicable for solder process capability

Product Compliance Disclaimer

This information is provided based on reasonable inquiry of our suppliers and represents our current actual knowledge based on the information they provided. This information is subject to change. The part numbers that TE has identified as EU RoHS compliant have a maximum concentration of 0.1% by weight in homogenous materials for lead, hexavalent chromium, mercury, PBB, PBDE, DBP, BBP, DEHP, DIBP, and 0.01% for cadmium, or qualify for an exemption to these limits as defined in the Annexes of Directive 2011/65/EU (RoHS2). Finished electrical and electronic equipment products will be CE marked as required by Directive 2011/65/EU. Components may not be CE marked. Additionally, the part numbers that TE has identified as EU ELV compliant have a maximum concentration of 0.1% by weight in homogenous materials for lead, hexavalent chromium, and mercury, and 0.01% for cadmium, or qualify for an exemption to these limits as defined in the Annexes of Directive 2000/53/EC (ELV). Regarding the REACH Regulation, the information TE provides on SVHC in articles for this part number is based on the latest European Chemicals Agency (ECHA) 'Guidance on requirements for substances in articles' posted at this URL: <https://echa.europa.eu/guidance-documents/guidance-on-reach>

Customers Also Bought



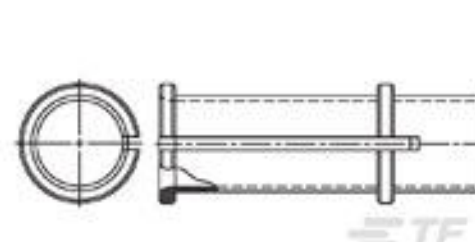
TE Part #2102735-1
BP, Half Left End, MULTIGIG RT 2R



TE Part #38941-16
CONTACTS



TE Part #YCTJ120E04AC015000
MODULE ASSY



TE Part #E45574-000
FLX40-030-01

TE Part #Y163PC186000000000
MODULE ASSY

TE Part #Y16PC186000000000
MODULE ASSY

TE Part #Y16SC186000000000
MODULE ASSY

TE Part #2332961-1
TERMINAL,COPALUM R 2 3/8 NICKEL

Documents

Product Drawings

FLX40-040-01

English