



RAYCHEM

TE Internal #: 487075-000

Hook Up Wire, FlexLite HT, Operating Voltage 600 V, Tin-Plated Copper, 14 AWG Wire Size, 2.08 mm² Wire Size, Operating Temperature Range -65 – 200 °C

[View on TE.com >](#)

Wire & Cable > Hook Up Wire



Cable Type: **FlexLite HT**

Operating Voltage: **600 V**

Wire & Cable Insulation Material: **Radiation-Crosslinked, Modified ETFE**

Conductor Material: **Tin-Plated Copper**

Wire Size: **14 AWG**

Features

Product Type Features

Cable Style	Primary, Stranded
-------------	-------------------

Configuration Features

Number of Conductors	1
Number of Strands	19

Electrical Characteristics

Resistance Rating Conditions (Max)	3.05 Ω/1000 ft @ 68°F
Operating Voltage	600 V

Body Features

Wire & Cable Insulation Material	Radiation-Crosslinked, Modified ETFE
Conductor Material	Tin-Plated Copper
Wire Color (Base)	Black

Dimensions

Weight (Nominal)	18.6 kg/km
Cable Insulation Thickness	.15 mm[.006 in]
Outside Cable Diameter	2.03 – 2.14 mm[.08 – .084 in]
Conductor Diameter Range	1.68 mm[.066 in]
Strand Size	27 AWG



Wire Size 2.08 mm²

Usage Conditions

Cable Type	FlexLite HT
Operating Temperature Range	-65 – 200 °C

Product Compliance

[For compliance documentation, visit the product page on TE.com>](#)

EU RoHS Directive 2011/65/EU	Compliant
EU ELV Directive 2000/53/EC	Compliant
China RoHS 2 Directive MIIT Order No 32, 2016	No Restricted Materials Above Threshold
EU REACH Regulation (EC) No. 1907/2006	Current ECHA Candidate List: JUNE 2024 (241) Candidate List Declared Against: JAN 2024 (240) Does not contain REACH SVHC
Halogen Content	Out of Scope - excluded from Halogen requirements
Solder Process Capability	Not applicable for solder process capability

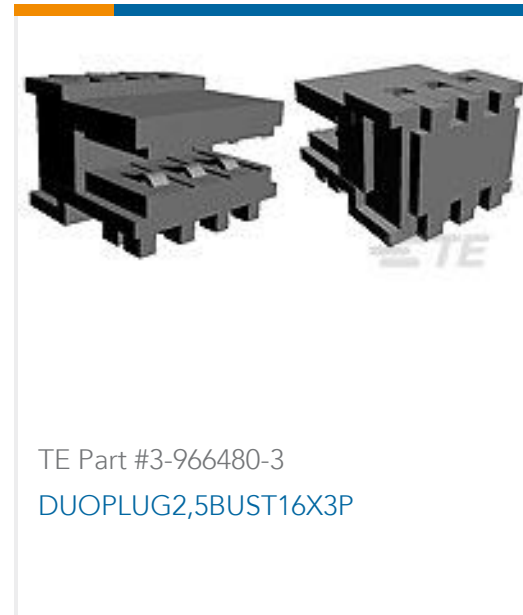
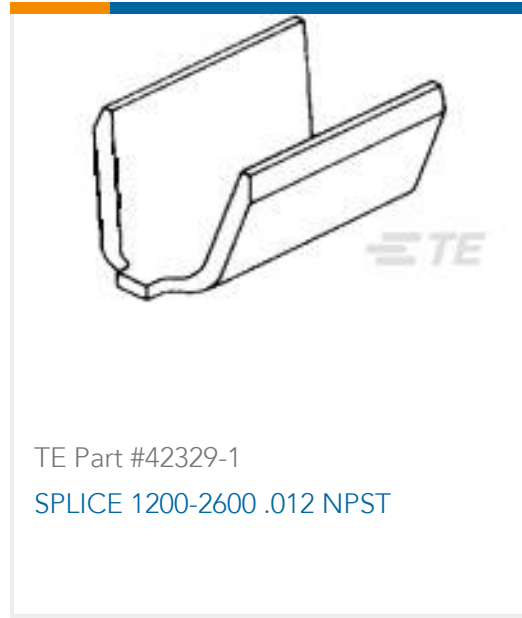
Product Compliance Disclaimer

This information is provided based on reasonable inquiry of our suppliers and represents our current actual knowledge based on the information they provided. This information is subject to change. The part numbers that TE has identified as EU RoHS compliant have a maximum concentration of 0.1% by weight in homogenous materials for lead, hexavalent chromium, mercury, PBB, PBDE, DBP, BBP, DEHP, DIBP, and 0.01% for cadmium, or qualify for an exemption to these limits as defined in the Annexes of Directive 2011/65/EU (RoHS2). Finished electrical and electronic equipment products will be CE marked as required by Directive 2011/65/EU. Components may not be CE marked. Additionally, the part numbers that TE has identified as EU ELV compliant have a maximum concentration of 0.1% by weight in homogenous materials for lead, hexavalent chromium, and mercury, and 0.01% for cadmium, or qualify for an exemption to these limits as defined in the Annexes of Directive 2000/53/EC (ELV). Regarding the REACH Regulation, the information TE provides on SVHC in articles for this part number is based on the latest European Chemicals Agency (ECHA) 'Guidance on requirements for substances in articles' posted at this URL: <https://echa.europa.eu/guidance-documents/guidance-on-reach>

Compatible Parts



Customers Also Bought



Documents

Product Drawings

[FLHTC0311-14-0](#)

English

Datasheets & Catalog Pages

[1654025_Sec9_FlexLite](#)

English

Product Specifications

[Product Specification](#)

English