

FL2500-NO.4-J2-0-30MM ✓ ACTIVE

RAYCHEM | RAYCHEM FL2500

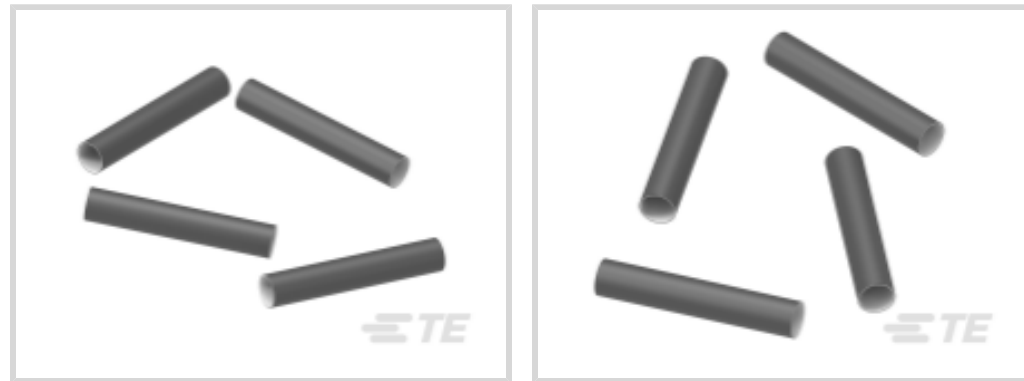
TE Internal #: C27598-000

Black, 4:1, Dual Wall Tubing, Shrinks To .175 in [4.45 mm],
Irradiated Modified Polyolefin, .7 in [17.78 mm] Inner Diameter,
RAYCHEM FL2500

[View on TE.com >](#)



Heat Shrink Tubing > FL2500 Heat Shrink Tubing



Primary Product Color: **Black**

Wall Type: **Dual Wall**

Expanded Inside Diameter (Min): **17.78 mm [.7 in]**

Recovered Inside Diameter (Max): **4.45 mm [.175 in]**

Shrink Ratio: **4:1**

[All FL2500 Heat Shrink Tubing \(49\)](#)

Features

Product Type Features

Wall Type	Dual Wall
-----------	-----------

Electrical Characteristics

Operating Voltage (Max)	.6 kV
-------------------------	-------

Body Features

Fluid Type	Water
Primary Product Color	Black
Shrink Ratio	4:1
Primary Product Material	Irradiated Modified Polyolefin
Flexibility	Semi-Rigid

Dimensions

Recovered Wall Thickness (Tolerance)	2.54 mm[.1 in]
Product Length	30 mm[1.182 in]
Expanded Inside Diameter (Min)	17.78 mm[.7 in]
Recovered Inside Diameter (Max)	4.45 mm[.175 in]
Tubing Size Range	4.45 – 17.78 mm[.175 – .7 in]

Usage Conditions



Shrink Temperature (Min)	110 °C
Resistance Properties	Immersion Protection, Moisture
Tubing Flammability Type	Flame-Retardant
Operating Temperature Range	-40 – 135 °C
Recovery Temperature	135 °C

Operation/Application

Mechanical Resistance	Abrasion
-----------------------	----------

Product Availability

Applicable Region	Global
-------------------	--------

Packaging Features

Packaging Method	Box
------------------	-----

Other

Meets Low Outgassing Requirements	No
Product Source	Czech Republic

Product Compliance

[For compliance documentation, visit the product page on TE.com>](#)

EU RoHS Directive 2011/65/EU	Compliant
EU ELV Directive 2000/53/EC	Compliant
China RoHS 2 Directive MIIT Order No 32, 2016	No Restricted Materials Above Threshold
EU REACH Regulation (EC) No. 1907/2006	Current ECHA Candidate List: JUNE 2023 (235) Candidate List Declared Against: JUNE 2023 (235) Does not contain REACH SVHC
Halogen Content	Not Low Halogen - contains Br or Cl > 900 ppm.
Solder Process Capability	Not applicable for solder process capability

Product Compliance Disclaimer

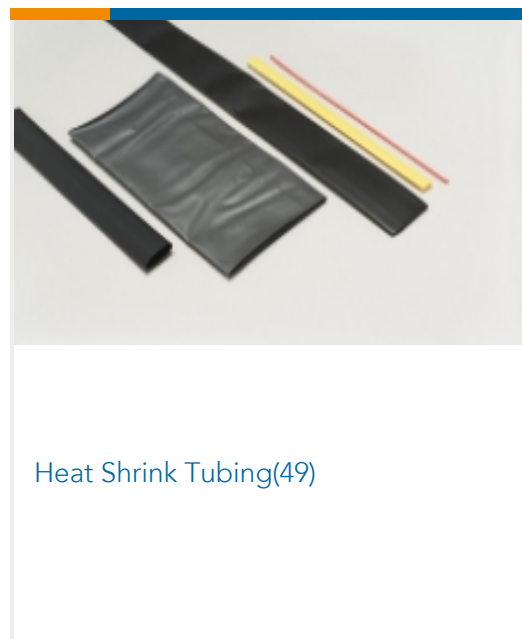
This information is provided based on reasonable inquiry of our suppliers and represents our current actual knowledge based on the information they provided. This information is subject to change. The part numbers that TE has identified as EU RoHS compliant have a maximum concentration of 0.1% by weight in homogenous materials for lead, hexavalent chromium, mercury, PBB, PBDE, DBP, BBP, DEHP, DIBP, and 0.01% for cadmium, or qualify for an exemption to these limits as defined in the Annexes of Directive 2011/65/EU (RoHS2). Finished electrical and electronic equipment products will be CE marked as required by Directive 2011/65/EU. Components may not be CE marked. Additionally, the part numbers that TE has identified as EU ELV compliant have a maximum concentration of 0.1% by weight in homogenous materials for lead, hexavalent chromium, and mercury, and 0.01% for cadmium, or qualify for an exemption to these limits

as defined in the Annexes of Directive 2000/53/EC (ELV). Regarding the REACH Regulation, the information TE provides on SVHC in articles for this part number is based on the latest European Chemicals Agency (ECHA) 'Guidance on requirements for substances in articles' posted at this URL: <https://echa.europa.eu/guidance-documents/guidance-on-reach>

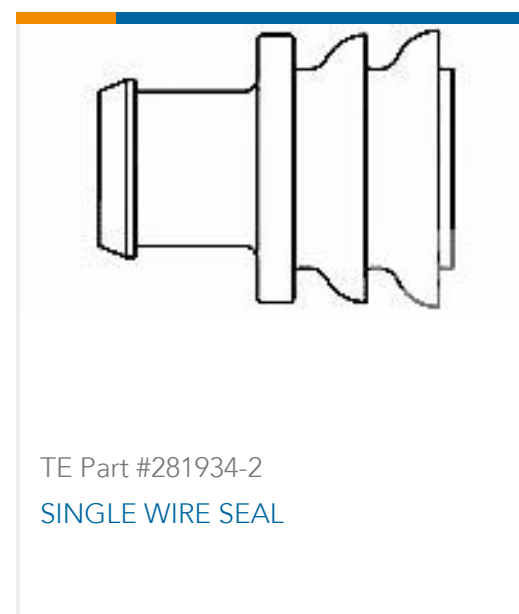
Compatible Parts



Also in the Series | RAYCHEM FL2500



Customers Also Bought



Documents



Product Drawings

[FL2500-NO.4-J2-0-30MM](#)

English

Datasheets & Catalog Pages

[Measuring_Single_Wall_Tubing](#)

English

[FL2500 Pages from 9-1773447-9](#)

English

[Selecting_Correct_Tubing_1216](#)

English

[Fully Flame-Retardant, Adhesive-Lined Polyolefin Heat-Shrinkable Tubing](#)

English

Product Specifications

[Quality Specification](#)

English