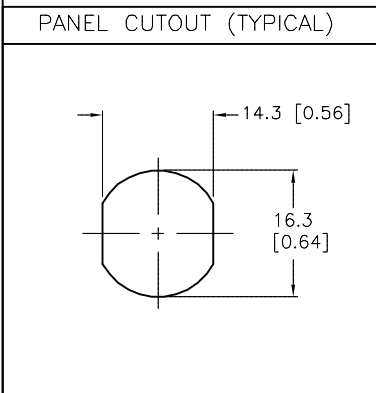
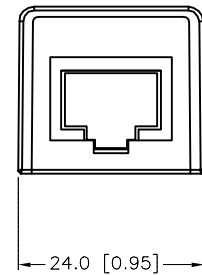
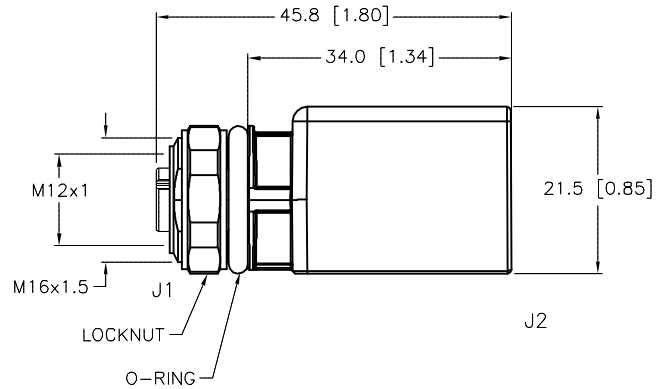
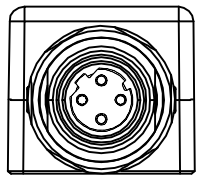
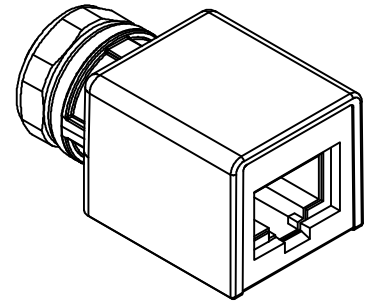


SPECIFICATIONS

CONTACT MATERIAL/PLATING (J2)	BRONZE/GOLD
CONTACT CARRIER MATERIAL (J1)	NYLON OR TPU
CONTACT MATERIAL/PLATING (J1)	BRASS/GOLD
COUPLING NUT MATERIAL/PLATING (J1)	BRASS/NICKEL
RATED CURRENT [A]	0.2 A
RATED VOLTAGE [V]	50 V
PROTECTION CLASS	MEETS IEC IP67 (IP20: RJ45)



SOURCE DRAWING - FOR REFERENCE ONLY

RELATED DOCUMENTS 1. 2. 3. 4.	3RD ANGLE PROJECTION 	THIS DRAWING IS CONFIDENTIAL AND THE PROPERTY OF TURCK INC. USE OF THIS DOCUMENT WITHOUT WRITTEN PERMISSION IS PROHIBITED.		3000 CAMPUS DRIVE MINNEAPOLIS, MN 55441 1-800-544-7769 (763) 553-7300 (763) 553-0708 fax turck.com	
	MATERIAL	DRFT KMY APVD A.A.	DATE 03/25/13 SCALE 1=1.0	DESCRIPTION FKSDD RJ45SF 44/ST	
FINISH	ALL DIMENSIONS DISPLAYED ON THIS DRAWING ARE FOR REFERENCE ONLY CONTACT TURCK FOR MORE INFORMATION	UNIT OF MEASUREMENT MILLIMETER [INCH]		IDENTIFICATION NO. U2-21428	
DO NOT SCALE THIS DRAWING		REV B		FILE: U2-21428	

B	UPDATE TO NEW CONNECTOR DESIGN	RDS	02/29/16	52614
REV	DESCRIPTION	BY	DATE	ECO NO.