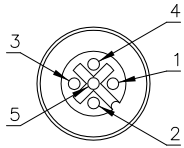
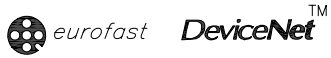


FEMALE END VIEW

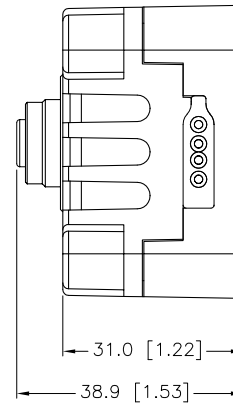
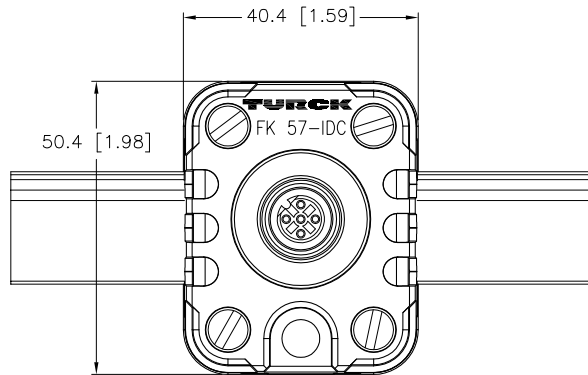


- 1 = BARE (SHIELD)
- 2 = RED (+ VOLTAGE)
- 3 = BLACK (- VOLTAGE)
- 4 = WHITE (CAN\_H)
- 5 = BLUE (CAN\_L)



SPECIFICATIONS

CONTACT CARRIER MATERIAL/COLOR	TPU/BLUE
CONTACT MATERIAL/PLATING	GOLD-PLATED BRASS
RATED CURRENT [A]	4.0 A
RATED VOLTAGE [V]	250 V
RECEPTACLE HOUSING MATERIAL/PLATING	NICKEL-PLATED BRASS
TOP & BASE MATERIAL/COLOR	BLACK NYLON 6/6
CONDUCTORS	IDC PINS
TEMPERATURE RATING	-40°C to +80°C (-40°F to +176°F)
MOUNTING HOLE	1/4 - 20 SOCKET HEAD SCREW
PROTECTION CLASS	MEETS NEMA 1,3,4,6,13 AND IEC IP67



SOURCE DRAWING - FOR REFERENCE ONLY

RELATED DOCUMENTS 1. 2. 3. 4.	3RD ANGLE PROJECTION 	THIS DRAWING IS PROPERTY OF TURCK INC. USE OF THIS DOCUMENT WITHOUT WRITTEN PERMISSION IS PROHIBITED.		<b>TURCK INC</b> High Technology Sensors and Automation Controls 3000 CAMPUS DRIVE MINNEAPOLIS, MN 55441 1-800-544-7769 (763) 553-7300 (763) 553-0708 fax turck.com	
	MATERIAL	DRFT DF	DATE 10/30/02	DESCRIPTION FK 57-IDC	
FINISH	ALL DIMENSIONS DISPLAYED ON THIS DRAWING ARE FOR REFERENCE ONLY	DSGN DF	SCALE 1=1.3	IDENTIFICATION NO. U8686	
	CONTACT TURCK FOR MORE INFORMATION	UNIT OF MEASUREMENT <b>MILLIMETER [ INCH ]</b>		REV D	
D	DRAWING PROCESSED AS PART OF ECO 33971	CBM	04/07/11	33971	
REV	DESCRIPTION	BY	DATE	ECO NO.	
				DO NOT SCALE THIS DRAWING	FILE: U8686
					SHEET 1 OF 1