



Part Number
Key Word



Site Search

[TOP](#)

[NEWS RELEASE](#)

[CONNECTOR SEARCH](#)

[CATALOG](#)


[SAMPLE](#)

[STOCK CHECK](#)

[TOP](#) > [FI-X30M-NPB](#)

Product List

Product Name	FI-X30M-NPB
Series Name	FI-X Series
Contact spacing (mm)	1
Number of Contacts	30
Connector type	Cable side Plug
PCB mounting type	-
PCB mounting method	-
Material of contact	Copper alloy
Finish of contact in connecting area	Gold over Nickel
Finish of contact in PCB mounting area	-
Material of housing	Glass-filled Nylon (UL94V-0)
PCB side connector styles	-

PCB mounted height (mm)	-
Remarks	FPC signal line upper-side contact type
Related Documents	 115Kbytes
Pair	

Notice:

1. The values specified in this web site are only for reference. The products and their specifications are subject to change without notice. Contact our sales staff for further information before considering or ordering any of our products.
For purchase, a product specification must be agreed upon.
2. Users are requested to provide protection circuits and redundancy circuits to ensure safety of the equipment, and sufficiently review the suitability of JAE's products to the equipment.
3. The products presented in this web site are designed for the uses recommended below. We strongly suggest you contact our sales staff when considering use of any of the products in any other way than the recommended applications or for a specific use that requires an extremely high reliability.

(1) Applications that require consultation:

- (i) Please contact us if you are considering use involving a quality assurance program that you specify or that is peculiar to the industry, such as:
Automotive electrical components, train control, telecommunications devices (mainline), traffic light control, electric power, combustion control, fire prevention or security systems, disaster evention equipment, etc.

(ii) We may separately give you our support with a quality assurance program that you specify, when you think of a use such as :

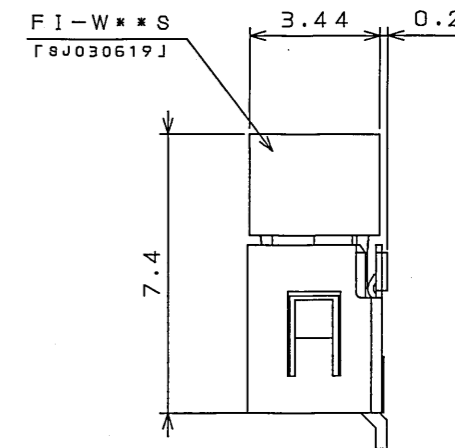
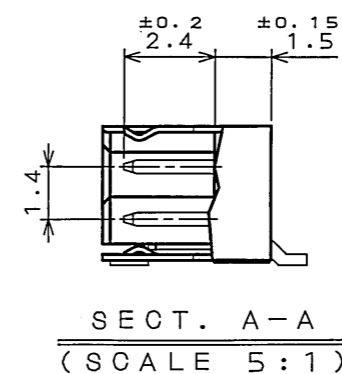
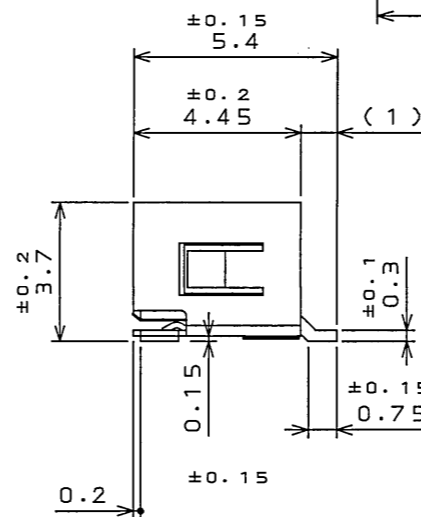
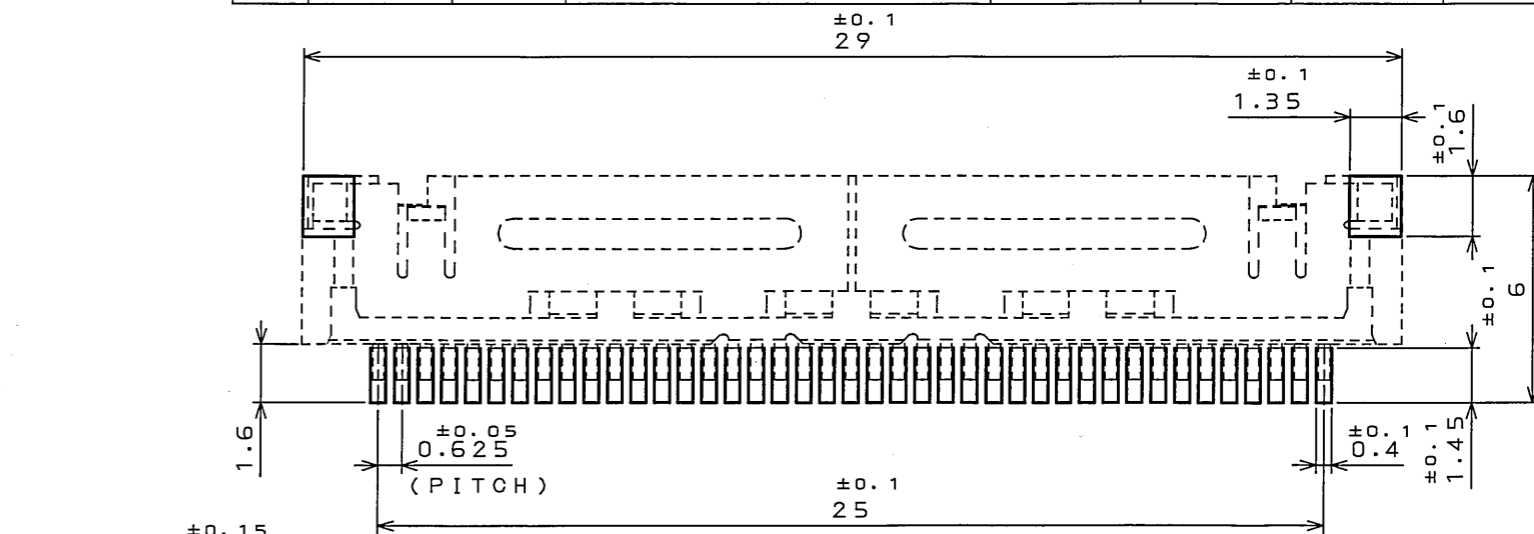
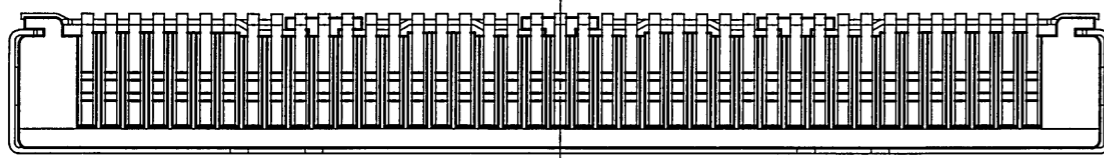
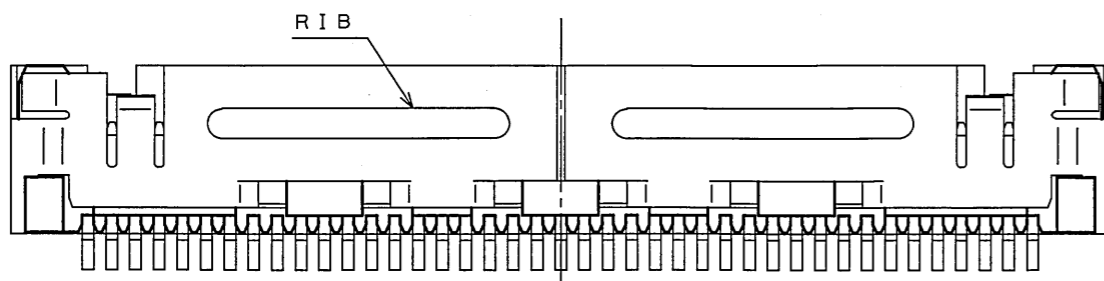
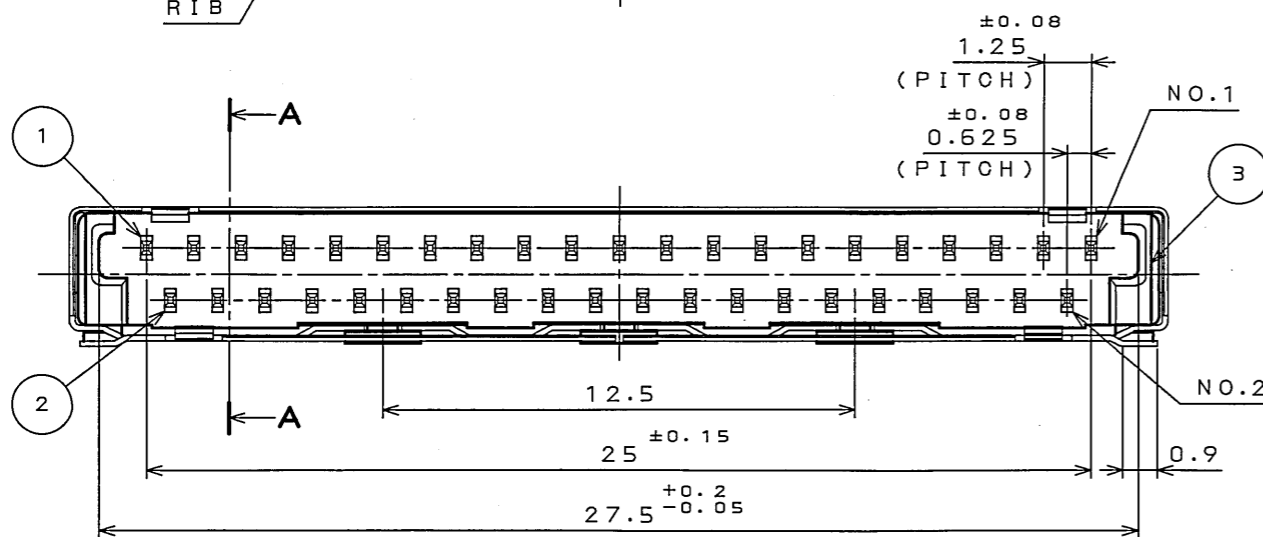
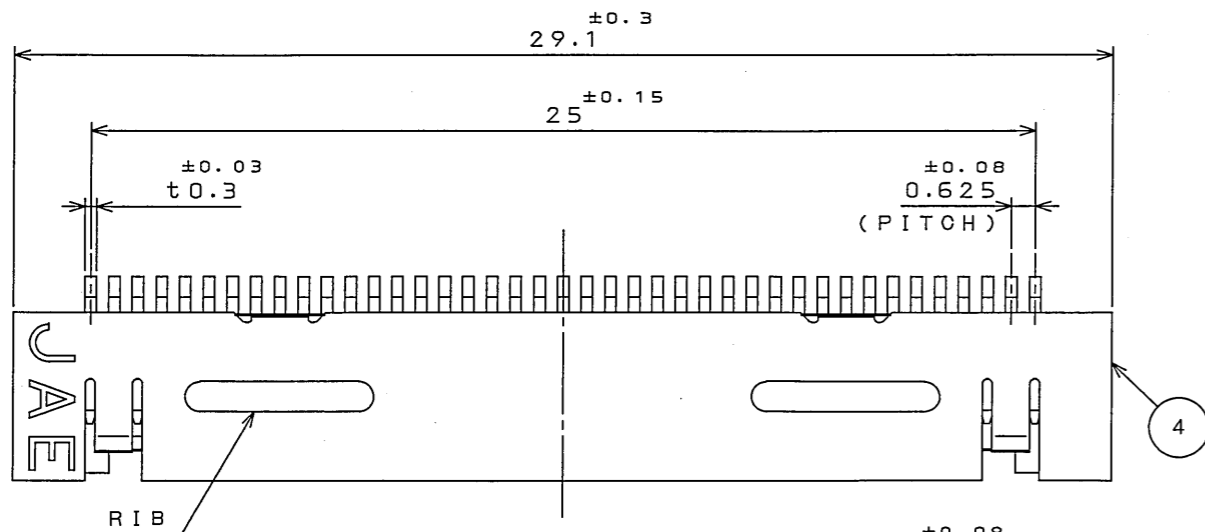
Aviation or space equipment, submarine repeaters, nuclear power control systems, medical equipment for life support, etc.

(2) Recommended applications include:

Computers, office appliances, telecommunications devices (terminals, mobile units), measuring equipment, audiovisual equipment, home electric appliances, factory automation equipment, etc

SJ100607
(DRAWING NO.)

版数 REV.	年月日 DATE	DCN NO.	変更内容 DESCRIPTION	製図 DR.	担当 CHK.	査閲 APPD.	承認 APPD.



(WITHOUT SHELL)
COUNTERPART CONNECTOR
(SCALE 5:1)
相手側コネクタ

符号 NO.	名称 DESCRIPTION	個数 QTY.	材料 MATERIAL	仕上 FINISH	備考 REMARKS
4	SHELL	1	COPPER ALLOY	TIN OVER NICKEL	
3	INSULATOR	1	GLASS FILLED PPS		UL94V-0 BLACK
2	CONTACT2	20	COPPER ALLOY	GOLD OVER NICKEL	TERMINAL AREA: (LEAD FREE)TIN/TIN ALLOY
1	CONTACT1	21	COPPER ALLOY	GOLD OVER NICKEL	TERMINAL AREA: (LEAD FREE)TIN/TIN ALLOY

仕様書 (SPECIFICATION)		第1版 (ORIGINAL DATE) 22.Jan.2004		尺 (SCALE) シリズ (SERIES) JAE-CONNECTOR.COM	
公差 (GENERAL TOLERANCE)		製図 DR. H.YOKOO		名称 (TITLE) Reference Only	
寸法 (DIMENSION)	角度 (ANGLES)	担当 CHK. T.YAMAJI		JAVIATION ELECTRONICS INDUSTRY, LTD.	
. ±0.8	° ±	査閲 APPD. <i>m. Suzuki</i>		図面番号 (DRAWING NO.)	
.X ±0.4	°X ±	承認 APPD. <i>Y. Ishiyama</i>		SJ100607	
.XX ±0.1				重量 (WEIGHT)	
.XXX ±				版数 (REV.)	

DOF-0-212E(03.08)

0 10 20 30 40 50 60 70 80 90 100

LEAD FREE この製品は鉛フリー品です

JAE CONNECTOR DIV. PROPRIETARY.
COPYRIGHT (C) 2004. JAPAN AVIATION ELECTRONICS INDUSTRY, LTD.