



Product Name	FI-W9S
Status	Active
RoHS compliant	Yes
Series Name	FI Series
Contact spacing (mm)	1.25
Number of rows	2
Number of contacts	9
Connector types	Cable side plug housing
PCB mounting type	-
PCB mounting method	-
Wire termination method	Crimp
Applicable wire	Discrete wire
Applicable wire size	
Applicable wire insulation diameter (mm)	
Remarks on applicable wire	
Material of contact	-
Finish of contact in connecting area	-
Finish of contact in terminal area	-
Finish of contact in PCB mounting area	-
Shell, Material/ Finish	
Material of housing	Glass filled Nylon (UL94V-0)
PCB side connector styles	-
PCB mounted height (mm)	-
Applicable contacts	FI-C3-A1-15000
Applicable product part numbers	
Packing type	
Quantity in the standard packing	
Remarks	
Related Documents	DWG 87Kbytes

SJ031212
(CON. EN. DRAWING NO.)

SYN. 版数 (SYM. EDITION NO.)	DESCRIPTION 記述内容 (DESCRIPTION)	DATE 年月日 (DATE)	DRAWN 製図 (DRAWN)	CHECKED 検査 (CHECKED)	APP'D 承認 (APP'D)	APP'D 承認 (APP'D)

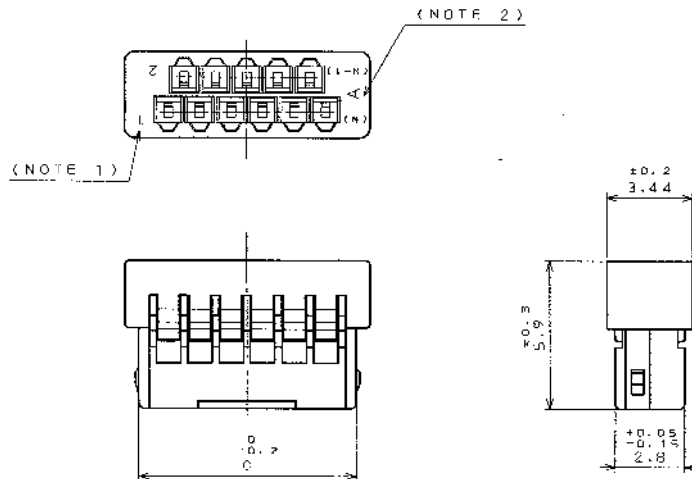
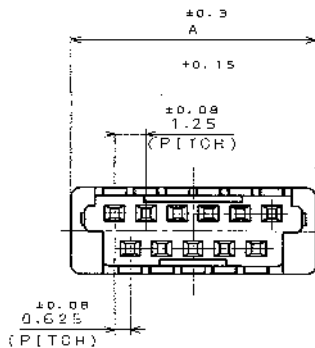


TABLE 1

NO. OF CONTACTS (N)	A	B	C
5	6	2.5	4.9
7	7.25	3.75	6.15
9	8.5	5	7.4
11	9.75	6.25	8.65



NOTE 1. NUMBER OF CONTACTS APPEARS IN RAISED LETTERS.
 2. TOOLING MARK APPEARS IN RAISED LETTERS.

- この面に端子番号を浮き出す。
- この面に金型マークを浮き出す。

1	HOUSING	1	GLASS FILLED 6-GNY	UL94V 0 BLACK
ITEM 符号	DESCRIPTION 名称	Q'TY 個数	MATERIAL 材料	FINISH 仕上
仕様書 (REFERENCE DOCUMENT)		第1版 (DATE) 5. Aug. 95	尺度 (SCALE) 5:1	REMARKS 備考
公差 (GENERAL TOLERANCE)		製図 (DR.)	名称 (TITLE) F[-W**S	Reference Only
寸法 (DIMENSION)	角度 (ANGLES)	検査 (CHK.) K. HISAMATSU	HOUSING	日本航空電子工業株式会社
. ± 0.8	° ±	承認 (APP.) K. Horaki	ハウジング	図面番号 (DRAWING NO.) SJ031212
.X ± 0.4	°X ±	承認 (APP.)	シリーズ (SERIES) =	版数 (EPM)
.XX ± 0.1	°XX ±			
.XXX ±	°XXX ±			

THIS DRAWING CONTAINS INFORMATION THAT IS PROPRIETARY TO JAE AND SHOULD NOT BE USED WITHOUT WRITTEN PERMISSION.
 本図面は日本航空電子工業(株)の所有する情報を含むもので当社の許可なく複製を禁止する。

DDF-D-212B (REV. 03)

0 10 20 30 40 50 60 70 80 90 100

DDF-D-212B (REV. 03)

SIZE

版数 (EPM)