



Part Number  
Key Word



Site Search

TOP

NEWS RELEASE

CONNECTOR SEARCH

CATALOG


SAMPLE

STOCK CHECK

[TOP](#) > [FI-RE41S-HF](#)

## Product List

Product Name	<b>FI-RE41S-HF</b>
Series Name	FI-R Series
Contact spacing (mm)	0.5
Number of Contacts	41
Connector type	Receptacle
PCB mounting method	Soldering
SMT flag	TRUE
Wire termination method	-
Applicable wire	-
Applicable wire insulation diameter	-
Remarks on applicable wire	-
Material of contact	Copper alloy

Finish of contact in connecting area	Gold over Nickel
Finish of contact in terminal area	
Finish of contact in PCB mounting area	Tin over Nickel
Shell Material / Finish	Stainless steel / Tin
PCB side connector styles	Right angle
PCB mounted height (mm)	3.75
Operating temperature range	-40 to +80
Current rating (Amps)	0.8
Withstanding voltage (VACr.m.s. (1 minute))	500
Insulation resistance (megohms min.)	100
Contact resistance (milliohms max.)	40
Applicable contacts	
Use with accessories	
Applicable product part numbers	
Remarks	
Related Documents	 138Kbytes
Pair	

## Notice:

1. The values specified in this web site are only for reference. The products and their specifications are subject to change without notice. Contact our sales staff for further information before considering or ordering any of our products.  
For purchase, a product specification must be agreed upon.

2. Users are requested to provide protection circuits and redundancy circuits to ensure safety of the equipment, and sufficiently review the suitability of JAE's products to the equipment.
3. The products presented in this web site are designed for the uses recommended below. We strongly suggest you contact our sales staff when considering use of any of the products in any other way than the recommended applications or for a specific use that requires an extremely high reliability.

(1) Applications that require consultation:

- (i) Please contact us if you are considering use involving a quality assurance program that you specify or that is peculiar to the industry, such as:  
Automotive electrical components, train control, telecommunications devices (mainline), traffic light control, electric power, combustion control, fire prevention or security systems, disaster evention equipment, etc.
- (ii) We may separately give you our support with a quality assurance program that  
you specify, when you think of a use such as :

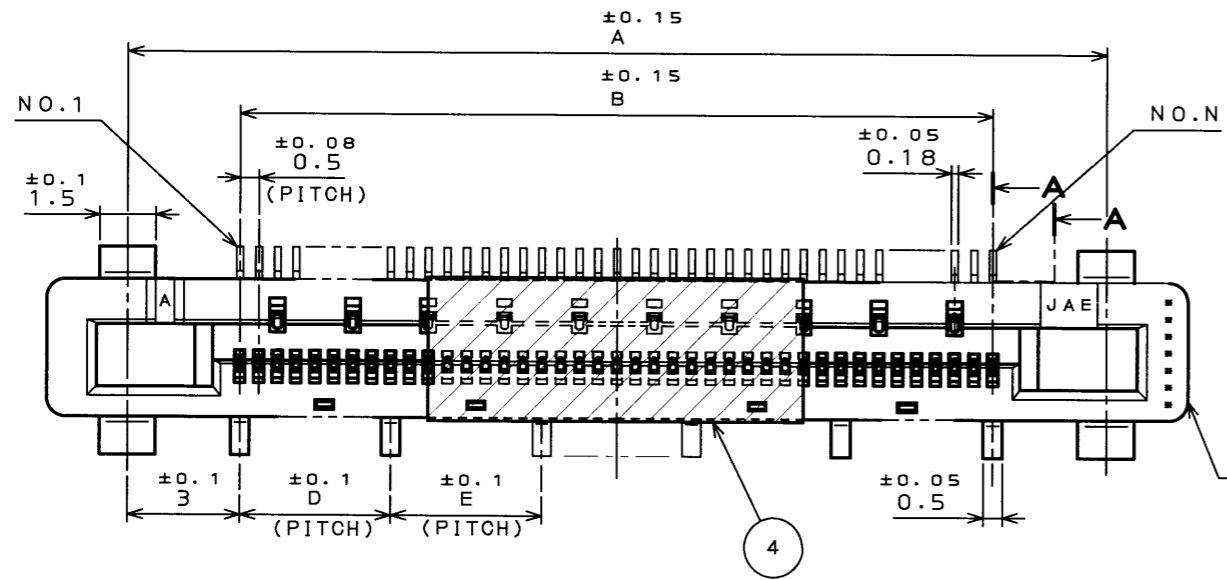
Aviation or space equipment, submarine repeaters, nuclear power control systems, medical equipment for life support, etc.

(2) Recommended applications include:

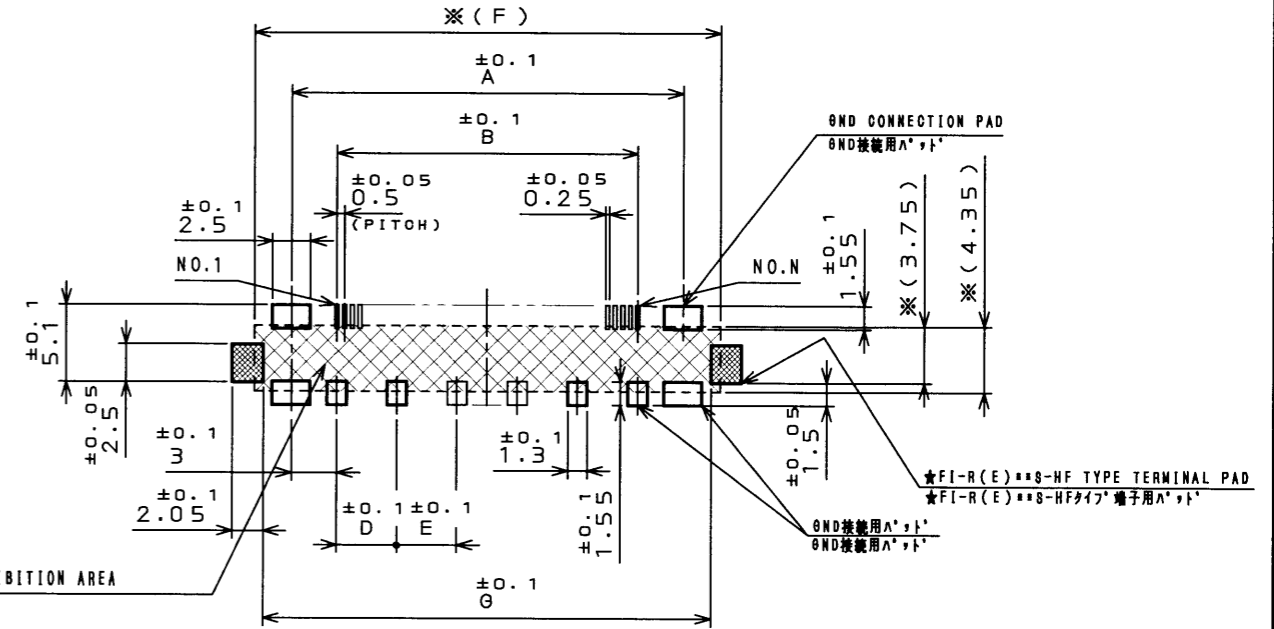
Computers, office appliances, telecommunications devices (terminals, mobile units), measuring equipment, audiovisual equipment, home electric appliances, factory automation equipment, etc

EE6Z01rs  
(ON 0NIMVHD)台要図

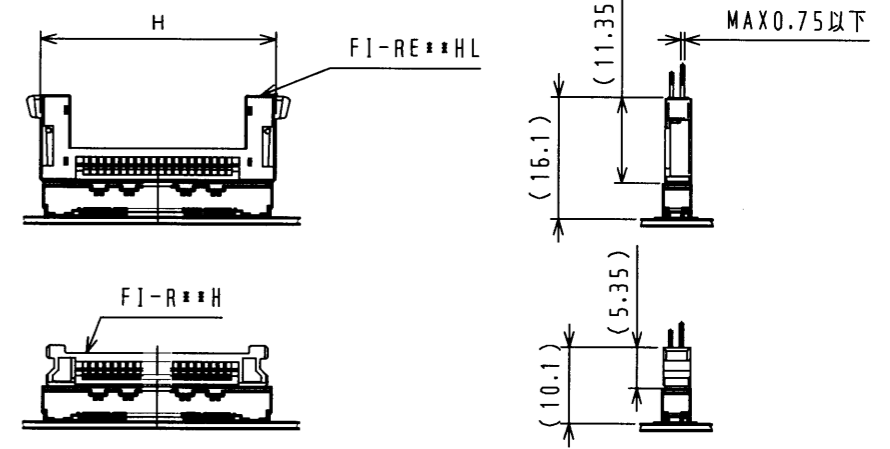
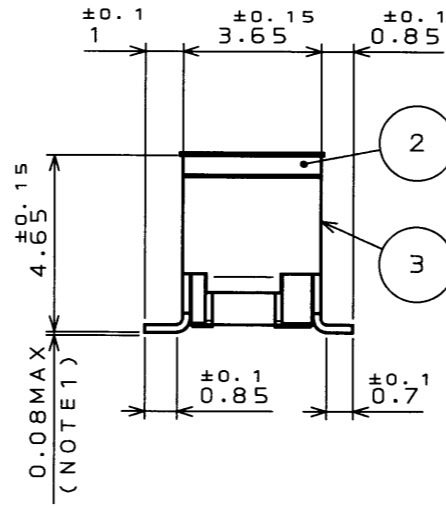
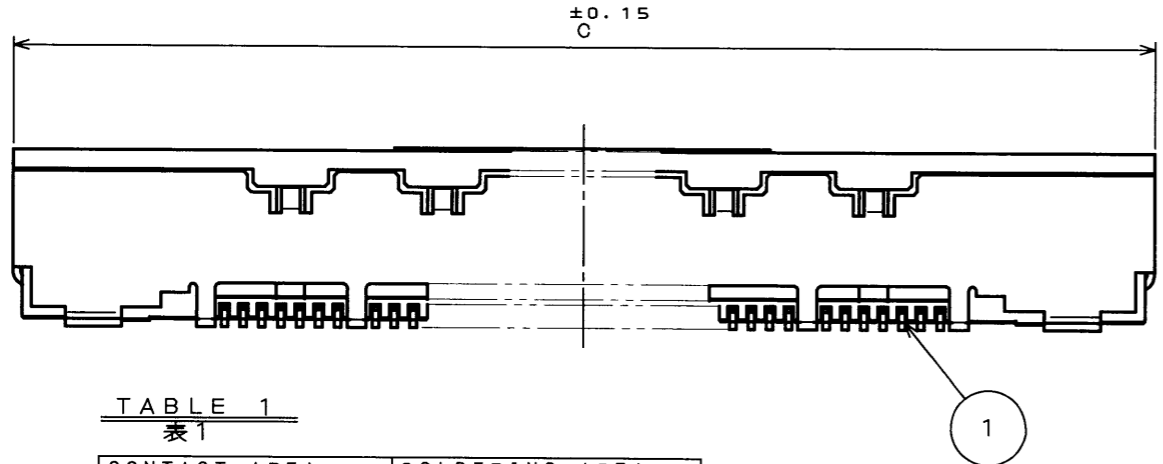
版数 REV.	年月日 DATE	DCN NO.	変更内容 DESCRIPTION	製図 DR.	担当 CHK.	査閲 APPD.	承認 APPD.
2	15.Mar.2007	062543	ADDED LOT No. etc ロットNo.追加、他		K.HISAMATSU M.YAMASHITA	M.SUZUKI	K.Hisatomi



SECT. A-A  
(SCALE 10:1)



APPLICABLE P.C.B. DIMENSION (REF.)  
適合基板寸法(参考)



MATED CONDITION (REF.)  
嵌合状態図(参考)

TABLE 1  
表1

CONTACT AREA 接触部	SOLDERING AREA 端子部
GOLD OVER NICKEL Ni上Au	TIN OVER NICKEL Ni上Sn

TABLE 2  
表2

NO. OF CONTACTS (N)	DEMENSION							
	A	B	C	D	E	F	G	H
21	16	10	20.35	3	—	20.95	19.75	21.25
31	21	15	25.35	4	—	25.95	24.75	26.25
41	26	20	30.35	4	4	30.95	29.75	31.25
51	31	25	35.35	5	5	35.95	34.75	36.25

符号 NO.	名称 DESCRIPTION	個数 QTY.	材料 MATERIAL	仕上 FINISH	備考 REMARKS
4	STICKING TAPE 吸着テープ	1	HEAT RESISTING TAPE 耐熱性テープ		
3	SHELL シェル	1	STAINLESS STEEL ステンレス	TIN PLATING Snメッキ	
2	INSULATOR インシュレータ	1	HEAT RESISTING PLASTIC 耐熱性プラスチック		UL94 V-0
1	CONTACT コンタクト	TABLE 2	COPPER ALLOY 銅合金	TABLE 1	

仕様書 (SPECIFICATION)		第1版 (ORIGINAL DATE)	尺 (SCALE)	シリーズ (SERIES)	製図 DR.	名称 (TITLE)	製造 DR.	担当 CHK.	査閲 APPD.	承認 APPD.	質量 (MASS)	図面番号 (DRAWING NO.)	版数 (REV.)
一般公差 (GENERAL TOLERANCE)		15.Mar.2005	5:1	FI-R		日本航空電子工業株式会社 JAE ELECTRONICS INDUSTRY, LTD.		K.HISAMATSU	M.SUZUKI	K.HISATOMI		SJ102933	2
寸法 (DIMENSION)	角度 (ANGLES)					FI-RE S-S-VF (SHIELD TYPE)							
. ±0.8	×° ±												
.X ±0.4	×°X ±												
.XX ±0.1													
.XXX ±													

NOTE1. COPLANARITY BETWEEN TERMINAL AND HOLD DOWN OF SHELL SHOULD BE 0.08mm MAX.  
△ 2. PRODUCTION LOT NUMBER AS INDICATED.

注1. 端子及び、シェルのホルドダウンの相互のバラツキは0.08以内とする。  
△ 2. 図示の位置にロット番号を表示する。

DOF-0-212F(05.08)

