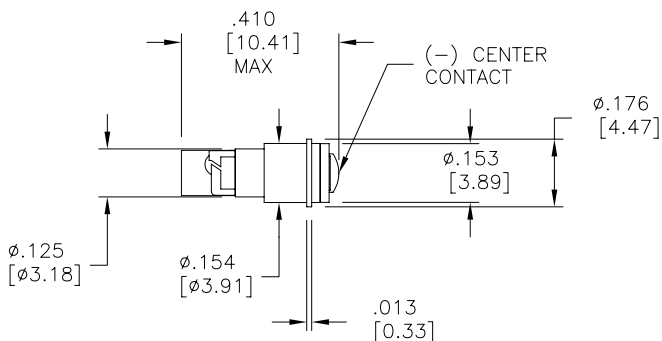


LTR	REVISION	DATE	APPD
A	032612-MM01:CHANGED FROM RoHS TO NON RoHS	04-04-12	MM



ACTUAL SIZE



NOTES:

1. ALL DIMENSIONS ARE IN INCHES [MILLIMETERS].
2. SLEEVE MATERIAL: DELRIN
3. BASE MATERIAL: NICKEL PLATED BRASS (BODY BASE), BAKELITE (INSULATOR)
4. RIVET CAP MATERIAL: BRASS, GRADE B, .0005 THK.
FINISH: NICKEL PLATE PER MIL SPEC MIL-C-26074
5. OPERATING TEMPERATURE: -30°C TO +50°C



FF120-0AG-028N	AQUA GREEN	28VDC	10	520
FF120-0CW-028N	COOL WHITE	28VDC	10	8000K
FF120-0PB-028N	SUPER BLUE	28VDC	10	462
FF120-0UG-028N	SUPER GREEN	28VDC	12	574
FF120-0UO-028N	SUPER ORANGE	28VDC	12	611
FF120-0UR-028N	SUPER RED	28VDC	12	634
FF120-0UY-028N	SUPER YELLOW	28VDC	12	594
FF120-1AG-028N	AQUA GREEN	28VDC	10	525
LEDTRONICS PART NO.	COLOR EMITTED	INPUT VOLTAGE, V	READ mA	λP nm
ELECTRICAL TEST				

REVISION NOTIFICATION	
<input type="checkbox"/>	PMA
<input type="checkbox"/>	UL
<input type="checkbox"/>	MADE IN USA
<input type="checkbox"/>	CUSTOMER _____
<input type="checkbox"/>	OTHER

LEDTRONICS, INC.
23105 KASHIWA COURT
TORRANCE, CA 90505

-PROPRIETARY-
This document contains Proprietary information of LEDTRONICS, INC. It may not be copied, used or disclosed for any purpose without the prior express written consent of LEDTRONICS, INC.

.XXX ± .010 TOLERANCE PER ANSI-Y14.5
.XX ± .025 (UNLESS OTHERWISE STATED)
ANGLES ± 0°,30'
FRACT. ± 1/32

TITLE			
FF120-XXX-028N			
DWG NO	SCALE	SHEET	DATE
FF120-28V-N	2:1	1 OF 1	11-01-10
CODE IDENT NO.	DWG BY	CHK BY	QA
8Z410	GP 11-01-10		RD 04-05-12
MFG	R&D		
	BJ 04-04-12		