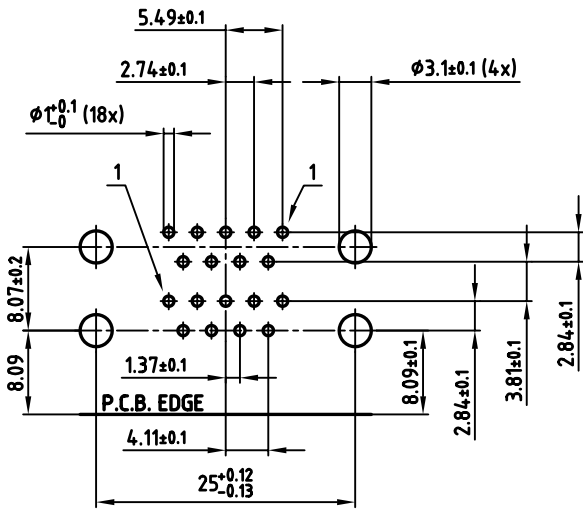
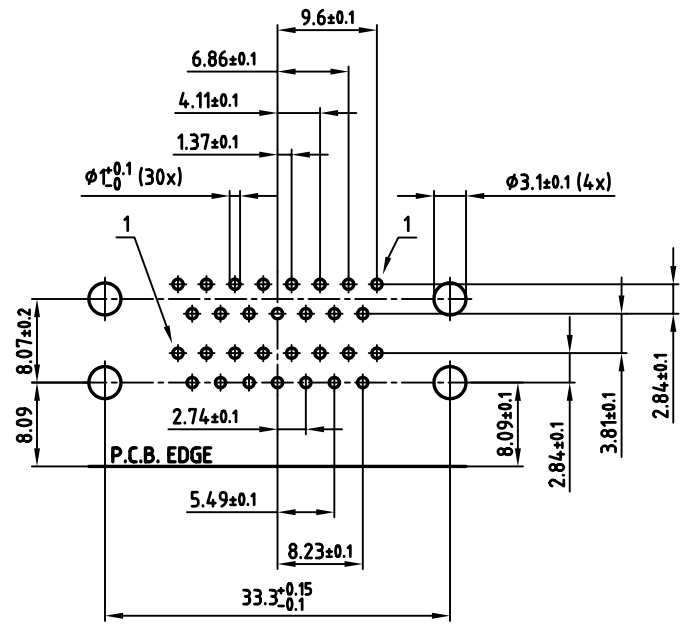




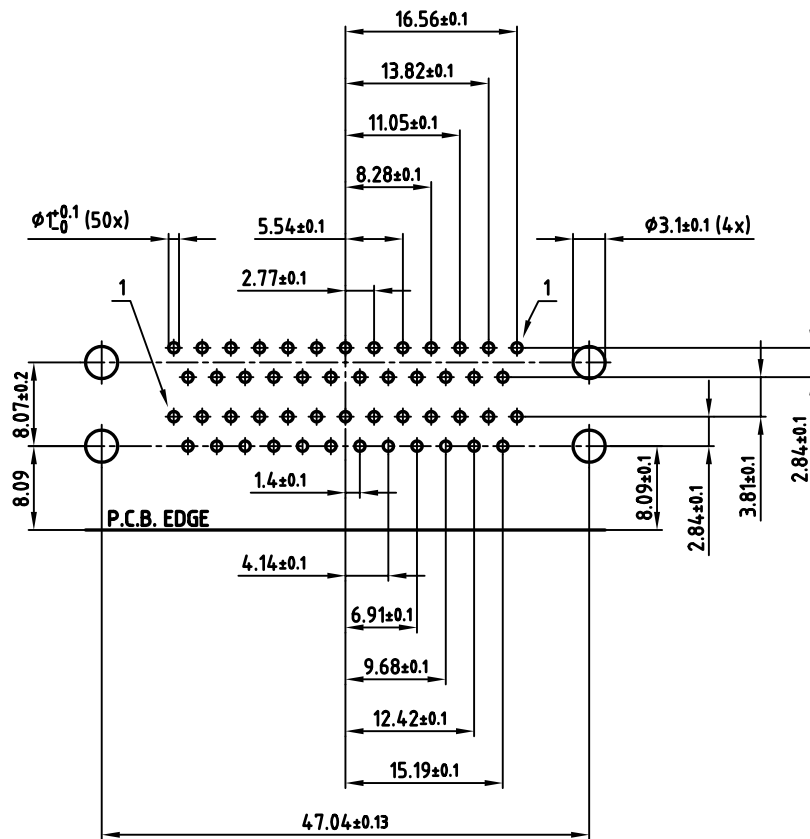
used for: D-SUB FILTER DUAL PORT



2x9pos.



2x15pos.



2x25pos.

APPROVAL \* FREIGABE \* DEBLOCAGE \* AUTORIZACION \* APPROVAL

CUSTOMER APPROVAL DATE:

NAME: TITLE:

COMPANY NAME:

APPROVAL \* FREIGABE \* DEBLOCAGE \* AUTORIZACION \* APPROVAL

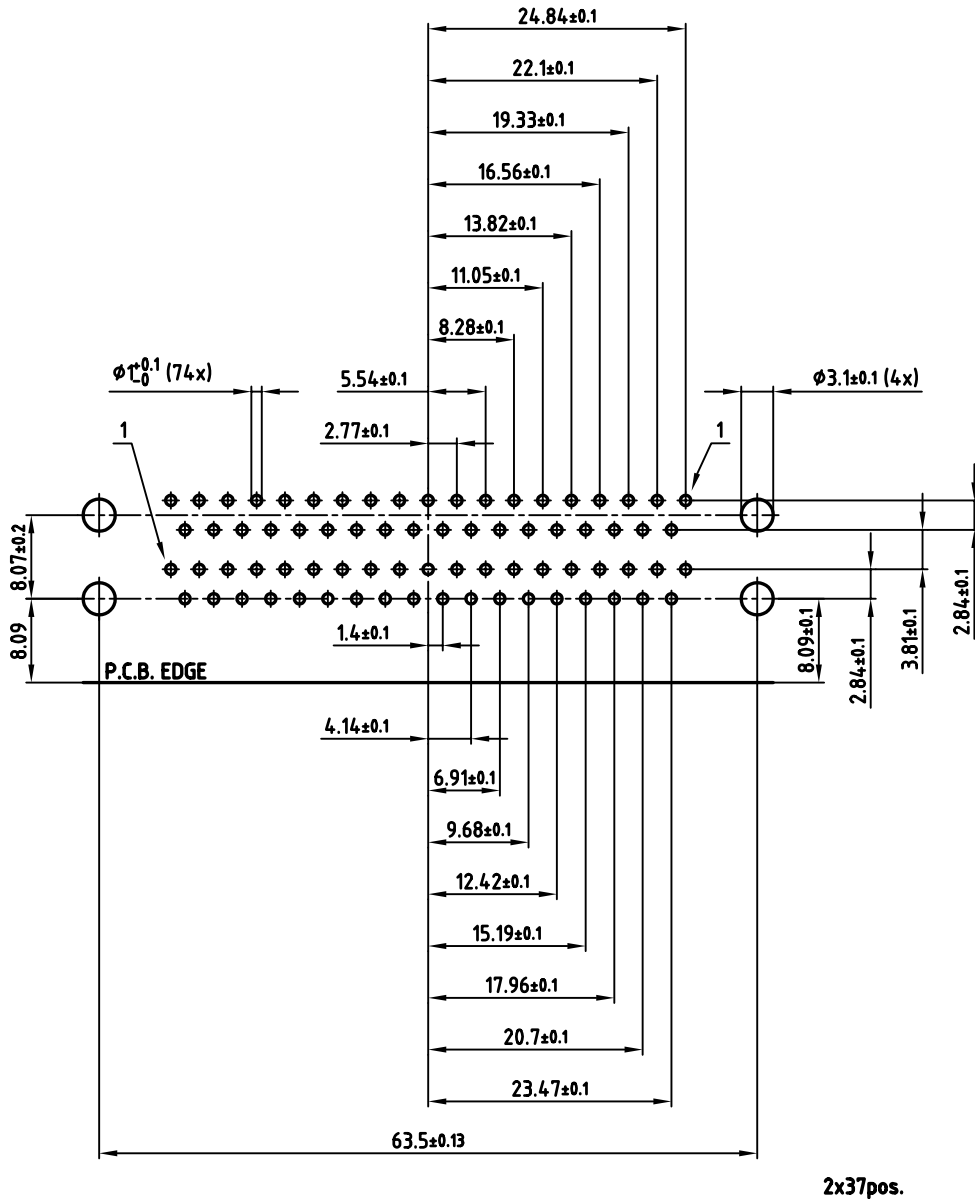
THIS DRAWING MAY NOT BE COPIED OR REPRODUCED IN ANY WAY, AND MAY NOT BE PASSED ON TO A THIRD PARTY, WITHOUT WRITTEN PERMISSION. OWNERSHIP AND COPYRIGHT OF CONEC GmbH DO NOT ALTER CAD DRAWING BY HAND

rev.	description	date	name
a	Origin		

tolerance		scale:	2:1
	dim. in mm	material:	SEE SHEET 1
2006	date	name	<b>P.C.B. HOLE DRILLINGS</b> D-SUB FILTER DUAL PORT 19.05mm FEMALE / MALE 2x9pos. - 2x25pos.
drawn	24.01.	Schmidt	
appd.	24.01.	Fischer	
norm	DIN 41652		
d-old			dwg no: AutoCAD 2004
			DIN-A
			3
			sh:2/3
			part no: SEE SHEET 1



used for: D-SUB FILTER DUAL PORT



APPROVAL * FREIGABE * DEBLOCAGE * AUTORIZACION * APPROVAL	
CUSTOMER APPROVAL DATE:	
NAME:	TITLE:
COMPANY NAME:	
APPROVAL * FREIGABE * DEBLOCAGE * AUTORIZACION * APPROVAL	

THIS DRAWING MAY NOT BE COPIED OR REPRODUCED IN ANY WAY, AND MAY NOT BE PASSED ON TO A THIRD PARTY, WITHOUT WRITTEN PERMISSION. OWNERSHIP AND COPYRIGHT OF CONEC GmbH DO NOT ALTER CAD DRAWING BY HAND

rev.	description	date	name
a	Origin		

tolerance		dim. in mm
2006	date	
drawn	24.01.	name
appd.	24.01.	Fischer
norm		DIN 41652
d-old		

scale:	2:1
material:	SEE SHEET 1
title:	
<b>P.C.B. HOLE DRILLINGS</b> D-SUB FILTER DUAL PORT 19.05mm FEMALE / MALE 2x37pos.	
dwg no:	AutoCAD 2004
<b>24K1A748</b>	
part no:	SEE SHEET 1
DIN-A 3 sh:3/3	

# Mouser Electronics

Authorized Distributor

Click to View Pricing, Inventory, Delivery & Lifecycle Information:

[Amphenol:](#)

[FDCPSPTAN13S132X](#) [FDCSSPTAN13S132X](#)