

## DETAILS

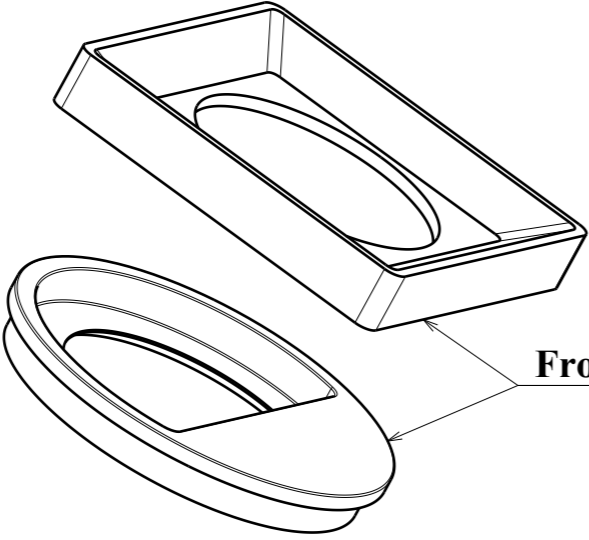
<b>Product Number</b>	FCN15621_RONDA-W
<b>Family</b>	Ronda
<b>Type</b>	Assembly
<b>Color</b>	white
<b>Diameter</b>	69,9 mm
<b>Height</b>	19,8 mm
<b>Style</b>	round
<b>Optic Material</b>	
<b>Holder Material</b>	
<b>Fastening</b>	
<b>Status</b>	production ready
<b>ROHS Compliant</b>	Yes
<b>Date Updated</b>	26/09/2016



## OPTICAL PROPERTIES

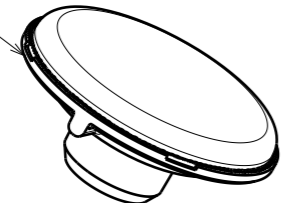
LED	Viewing Angle	Light Beam	Efficiency	cd/lm	Connector
V10	sim: 44	Wide	88 %	-	Bender Wirth: 455 Typ L1
VERO13	55 deg	Wide	90 %	0.950	-
CLU710/711	sim: 44	Wide	89 %	-	Bender Wirth: 470 Typ L1
CLL02x/CLU02x (LES10)	sim: 42	Wide	88 %	-	Bender Wirth: 434 Typ L1
CXA/B 15xx	sim: 42	Wide	88 %	-	Bender Wirth: 441 Typ L1
CXA/B 1816 & CXA/B 1820 & CXA 1850	sim: 48	Wide	88 %	-	Bender Wirth: 437 Typ L1
Mini Zenigata (GW6BM)	sim: 40	Wide	89 %	-	Bender Wirth: 452 Typ L1

H G F E D C B A



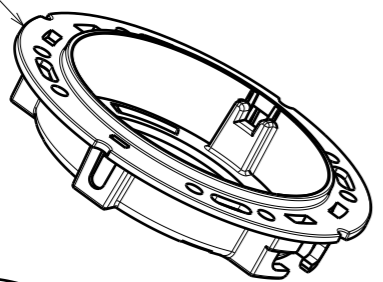
**Front plate examples**

D=49.9

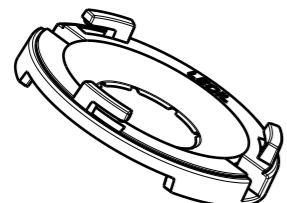


**Optic**

D=69.9mm



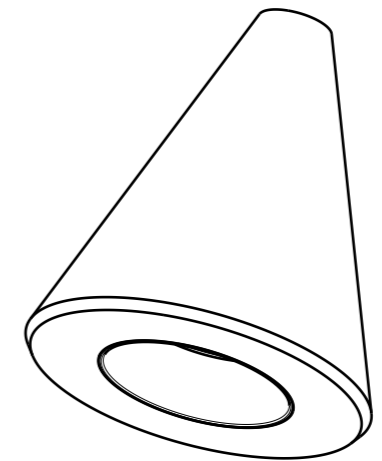
**Ledil-clamp / TE / Bender-wirth / other twist and lock socket types (holder A)**



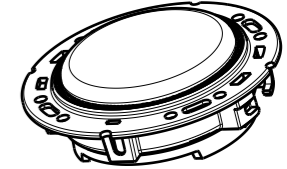
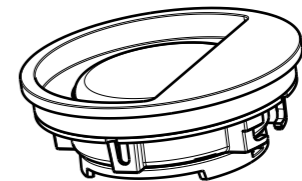
**BJB and Stucchi 50mm (holder B)**



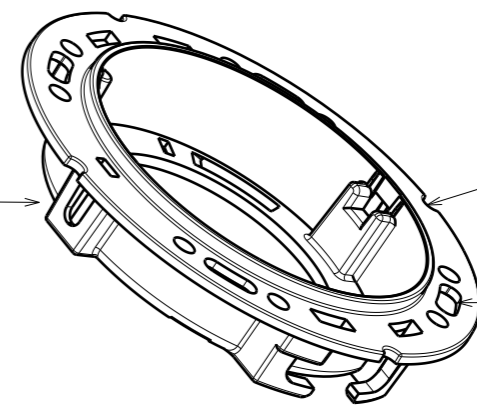
**LES size up to ~14mm, see compatibility [www.ledil.com](http://www.ledil.com)**



**Examples**



**Horizontal fix: M3 Nut + bolt**



**Rotation fix**

**Vertical fix: M3 Screw / Twist and lock / Snap**

4

4

3

3

2

2

1

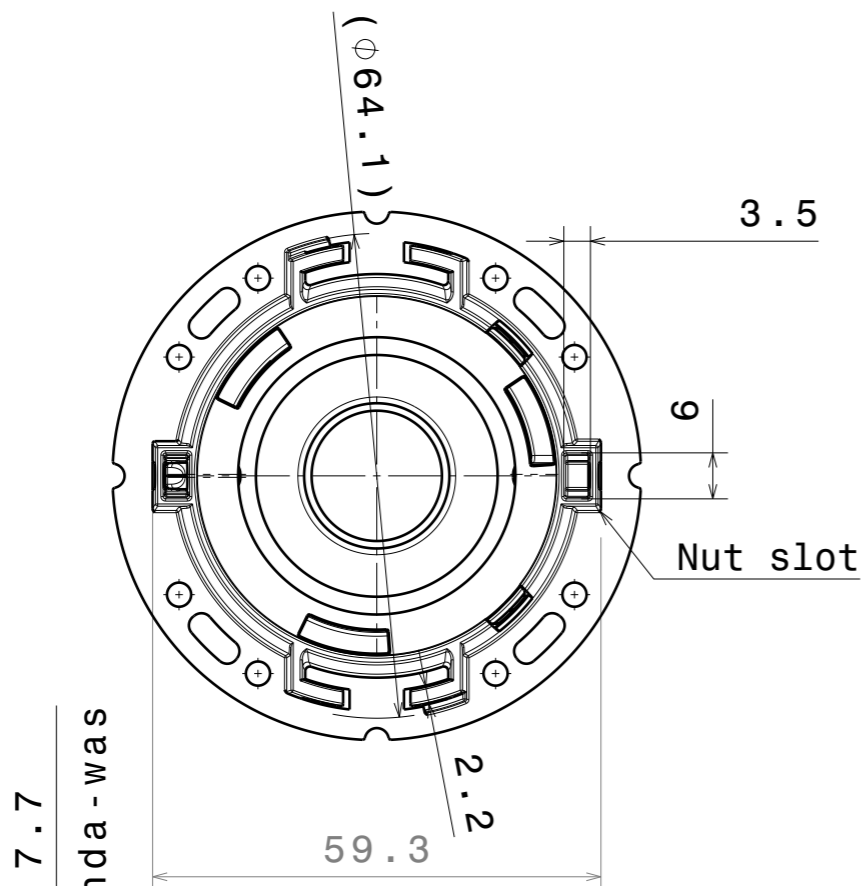
1

See more details on page 2 and 3

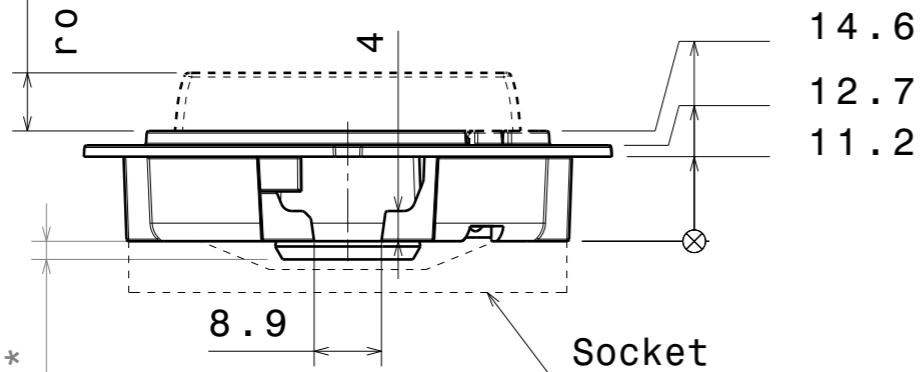
Tolerances if not otherwise shown According to DIN ISO 2768-1 Linear measures: up to 30mm class M, otherwise class C According to DIN ISO 2768-2 Form and position: class L		<b>LEDiL</b> Ledil Oy Salorankatu 10 FIN 24240 SALO Finland	
THIRD ANGLE PROJECTION:		DRAWING TITLE <p style="text-align: center;"><b>RONDA-family</b></p>	
This drawing is the property of LEDiL Oy. It may not be reproduced, copied or communicated without a written agreement with LEDiL Oy.		SIZE <p style="text-align: center;"><b>A3</b></p>	PART NUMBER <p style="text-align: center;">-</p>
		SCALE 1:1	WEIGHT -
		SHEET 1/3	

H G B A

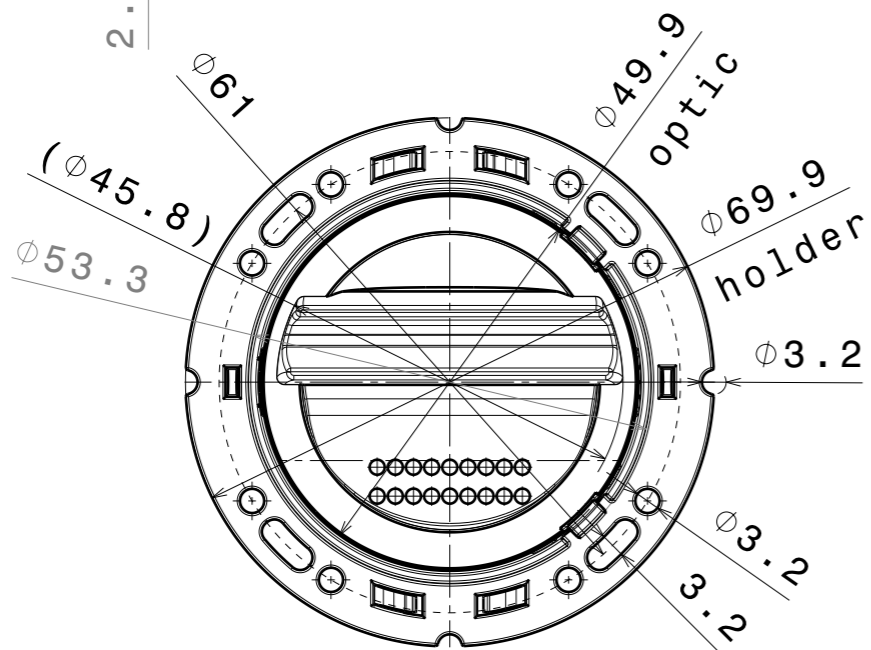
Bottom view



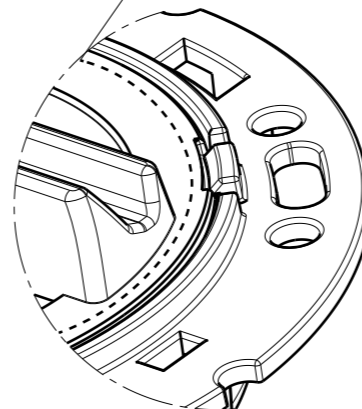
Front view



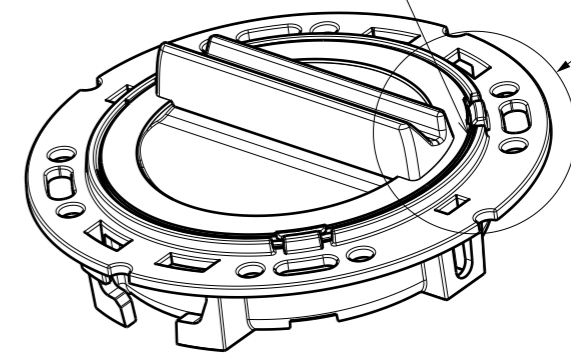
Top view



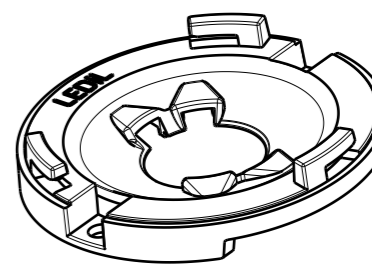
Front panel location suggestion when seamless look needed



Detail A



Isometric view



\* Ensure from 3d according specific optic version

Tolerances if not otherwise shown  
According to DIN ISO 2768-1  
Linear measures:  
up to 30mm class M, otherwise class C  
According to DIN ISO 2768-2  
Form and position: class L

**LEDiL** Ledil Oy  
Salorankatu 10  
FIN 24240 SALO  
Finland

THIRD ANGLE PROJECTION:

DRAWING TITLE  
**RONDA-family**

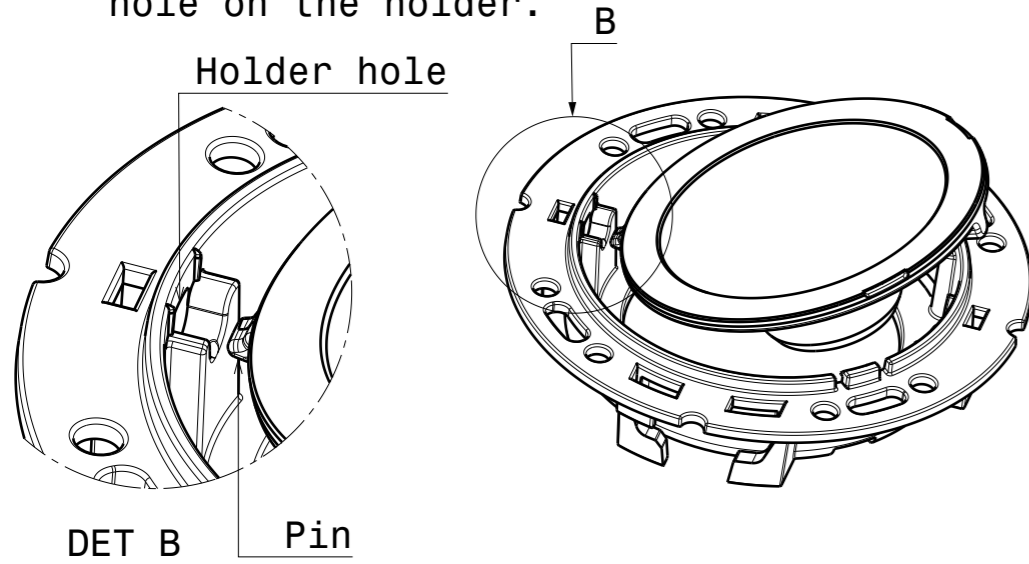
This drawing is the property of LEDiL Oy. It may not be reproduced, copied or communicated without a written agreement with LEDiL Oy.

SIZE PART NUMBER  
**A3** -

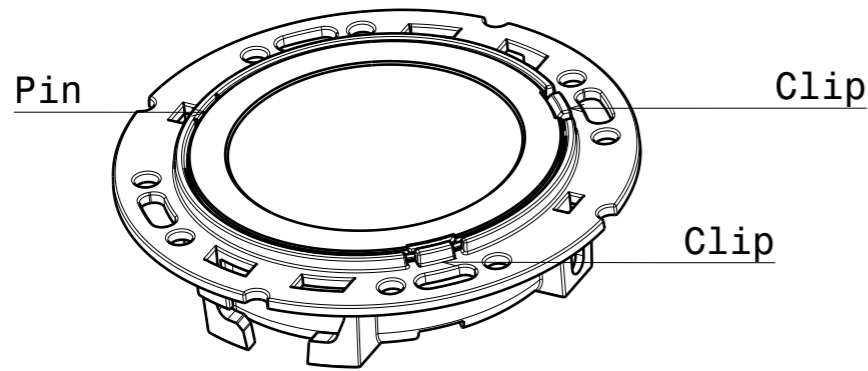
SCALE 1:1 WEIGHT - SHEET 2/3

**OPTIC/HOLDER ASSEMBLY**

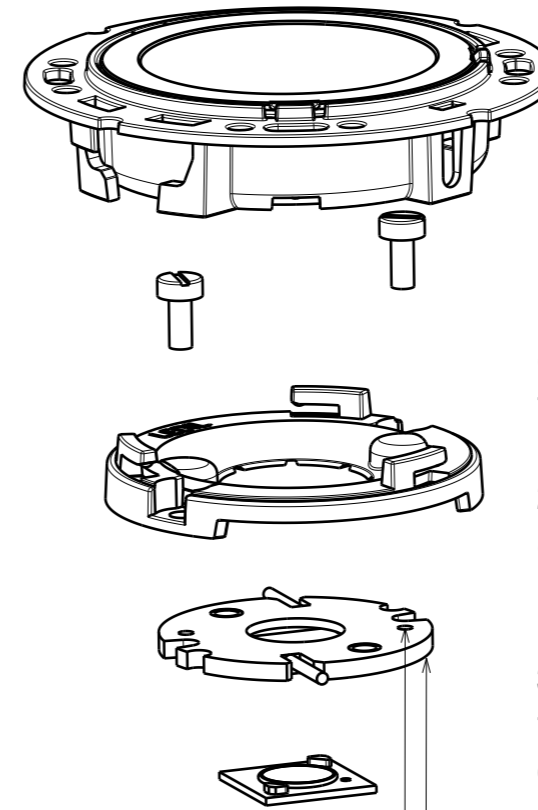
1. Place pin on the side of the lens into relative hole on the holder.



2. Press the lens under clips on the holder, ensuring both clips are fixed.



**TYPICAL CONNECTOR ASSEMBLY (including solderless BENDER WIRTH as example)**



1. Ensure correct relation of clamp and connector before screwing. Recommended torque 0.6Nm.

2. Assemble LED, BENDER&WIRTH connector and C13658\_CLAMP-VER013-18 clamp on heatsink with M3 screw.

3. Attach optic by aligning the holes in the holder with hooks and turning the optic holder clockwise until it locks.

Bender&Wirth model 4xx Typ L1

Align clamp positioning pin with holes in the connector.

Tolerances if not otherwise shown  
According to DIN ISO 2768-1  
Linear measures:  
up to 30mm class M, otherwise class C  
According to DIN ISO 2768-2  
Form and position: class L

**LEDiL** LediL Oy  
Salorankatu 10  
FIN 24240 SALO  
Finland

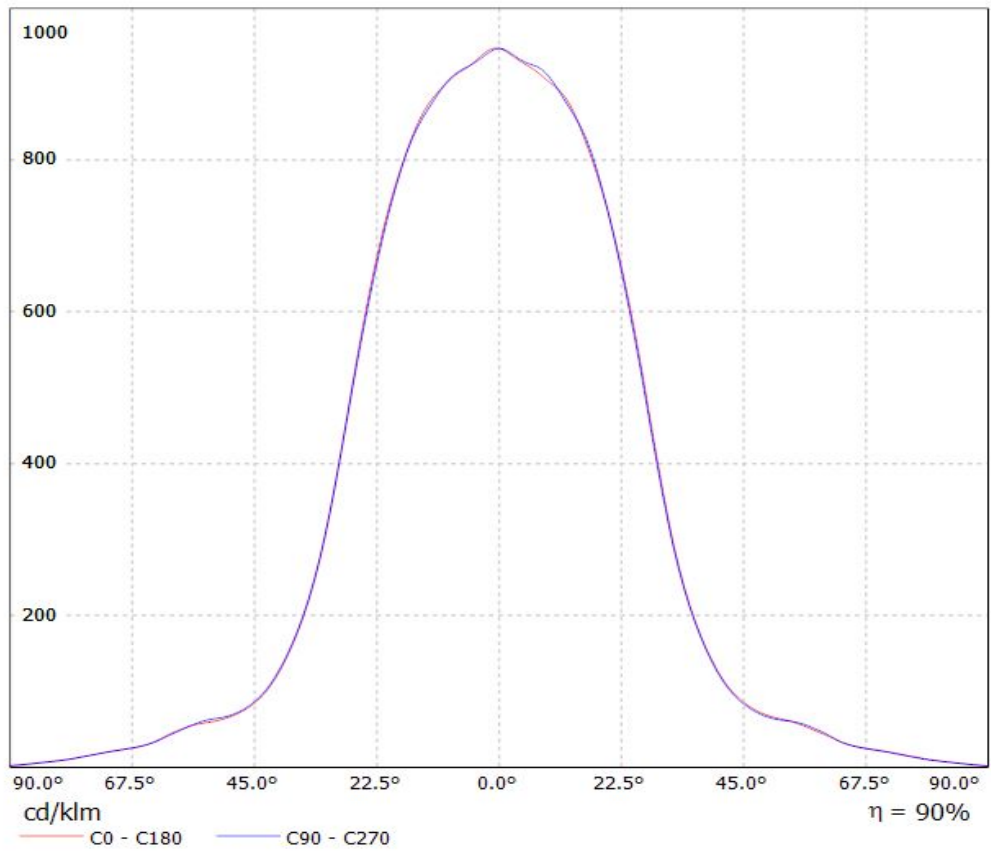
THIRD ANGLE PROJECTION:

DRAWING TITLE  
**RONDA-family**

This drawing is the property of LEDiL Oy. It may not be reproduced, copied or communicated without a written agreement with LEDiL Oy.

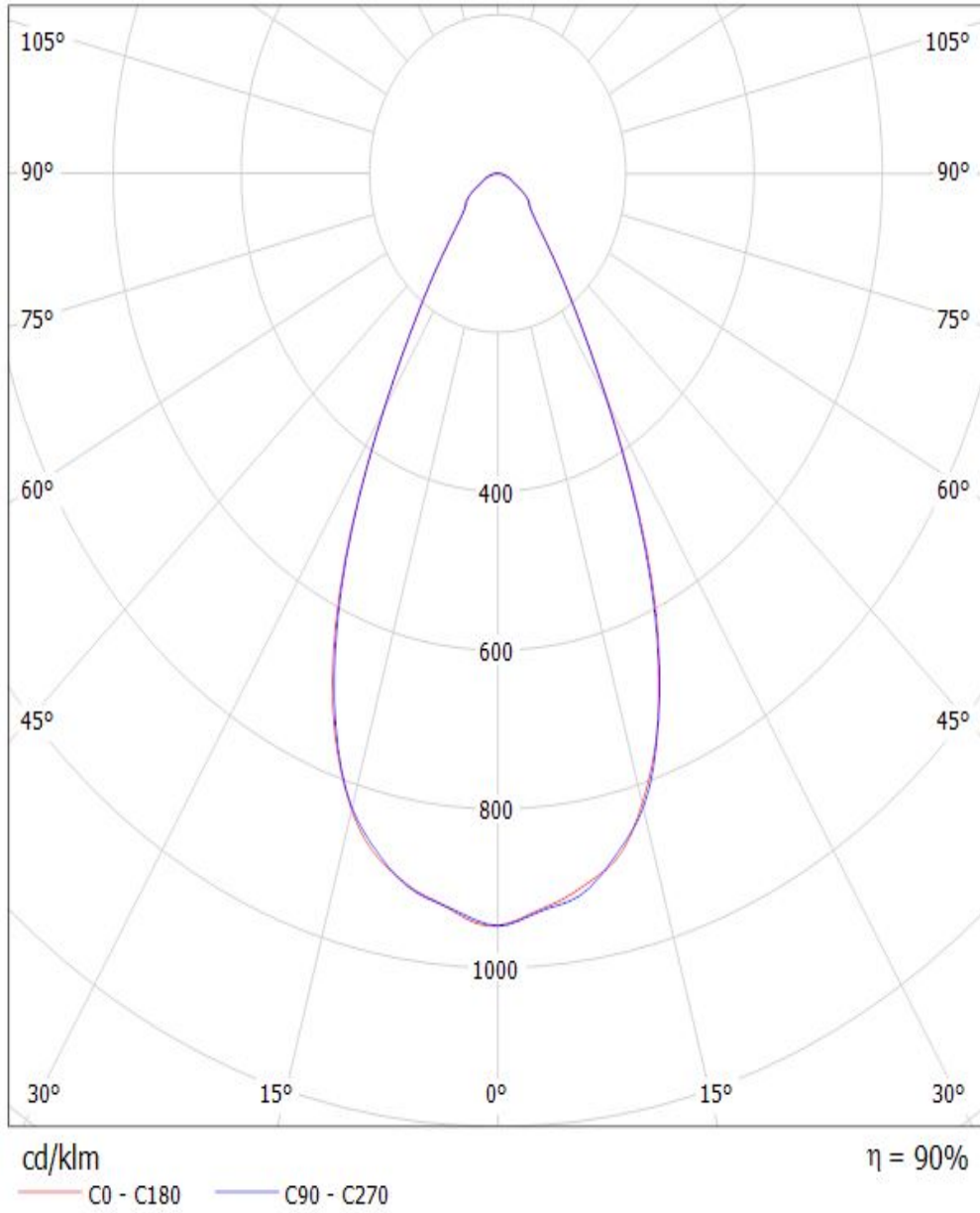
SIZE	PART NUMBER		
A3	-		
SCALE	1:1	WEIGHT	-
SHEET		3/3	

Luminaire: LEDiL Oy FCN15621\_RONDA-W\_(VERO13)  
Lamps: 1 x Bridgelux\_VERO13\_(BXRC-30E2000-C-Z3)\_+C13658\_CLAMP-VERO13-18\_956.274lm@250mA\_CCT=3000K\_P=7.59867W\_I=0.25A



Luminaire: LEDiL Oy FCN15621\_RONDA-W\_(VERO13)

Lamps: 1 x Bridgelux\_VERO13\_(BXRC-30E2000-C-Z3)\_+C13658\_CLAMP-VERO13-18\_956.274lm@250mA\_CCT=3000K\_P=7.59867W\_I=0.25A



**NOTE: The typical divergence will be changed by different color, chip size and chip position tolerance. The typical total divergence is the full angle measured where the luminous intensity is half of the peak value.**

### **GENERAL INFORMATION**

- Product series especially designed & optimized for series of LEDs.
- Special care taken to make light distribution as uniform as possible.

Note! Due to use of high power COB's with this product, special attention to proper thermal design is highly recommended. LEDiL has no liability for direct, indirect or consecutive damages arising from the LEDiL products being used outside of the recommended temperature range.