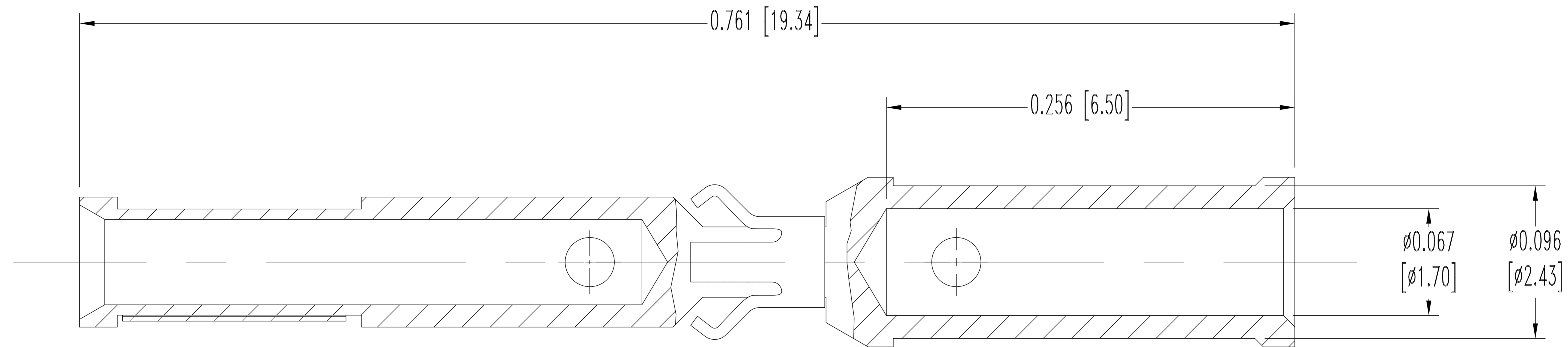


THIS DRAWING CONTAINS INFORMATION PROPRIETARY TO POSITRONIC AND ITS SUBSIDIARIES. POSITRONIC BELIEVES THE DATA ON THIS DRAWING TO BE RELIABLE, SINCE THE TECHNICAL INFORMATION IS GIVEN FREE OF CHARGE, THE USER EMPLOYS SUCH INFORMATION AT HIS OWN DISCRETION AND RISK. POSITRONIC ASSUMES NO RESPONSIBILITY FOR RESULTS OBTAINED OR DAMAGES INCURRED FROM USE OF SUCH INFORMATION IN WHOLE OR IN PART.

DATE	REV	REVISION RECORD	APP	DR	CK
06-16-20	A	ECO 75191	PA	AB	MS



NOTES:

1. MATERIAL AND FINISHES:

CONTACT: PRECISION MACHINED COPPER ALLOY, GOLD FLASH OVER NICKEL PLATE.

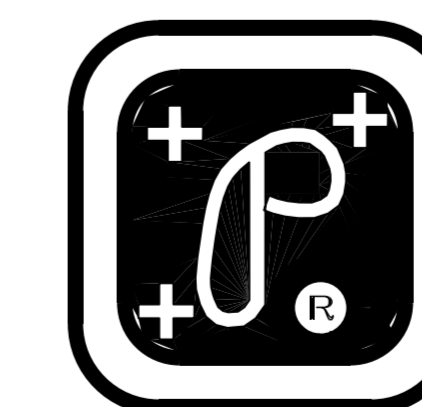
RETENTION RING: BERYLLIUM COPPER, GOLD FLASH OVER NICKEL PLATE.

SPRING CLIP: BERYLLIUM COPPER, GOLD FLASH OVER NICKEL PLATE.

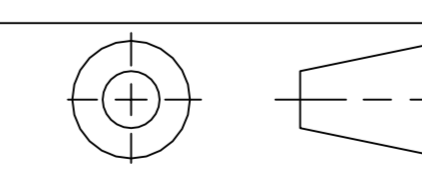
2. DETAILED PRODUCT, MECHANICAL AND ELECTRICAL INFORMATION IS AVAILABLE IN THE LATEST SCORPION SERIES PRODUCT PUBLICATION AT CONNECTPOSITRONIC.COM.

3. CONTACTS ARE COMPLIANT TO THE CURRENT RoHS DIRECTIVE.

4. DIMENSIONS ARE IN INCHES [MILLIMETERS]



POSITRONIC INDUSTRIES INC.
 SPRINGFIELD, MISSOURI 65801



DECIMAL TOL.
 ± 0.015 [0.38]

ANGULAR TOL.
 $\pm 5^\circ$

SCALE
 N.T.S.

DRAWN BY
 AMOL B.
 APPROVED BY
 PA

TITLE
 SP SERIES
 FC1816P2/AA

DATE
 06-16-20
 DRAWING NUMBER
 FC1816P2/AA
 REV.
 A