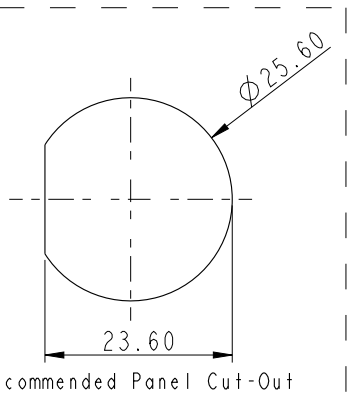
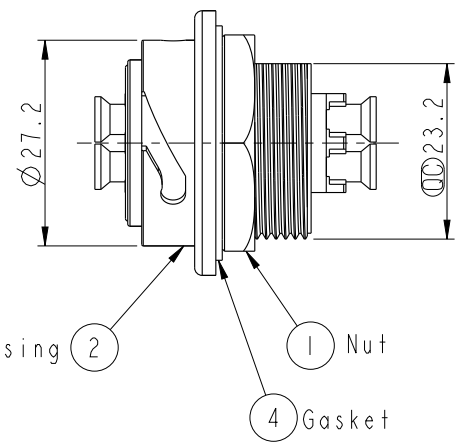
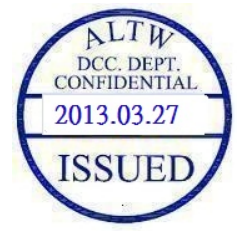
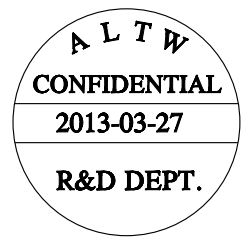
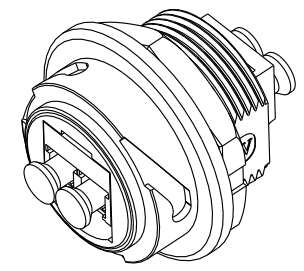
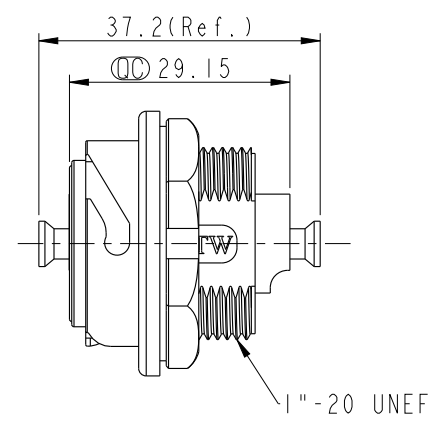
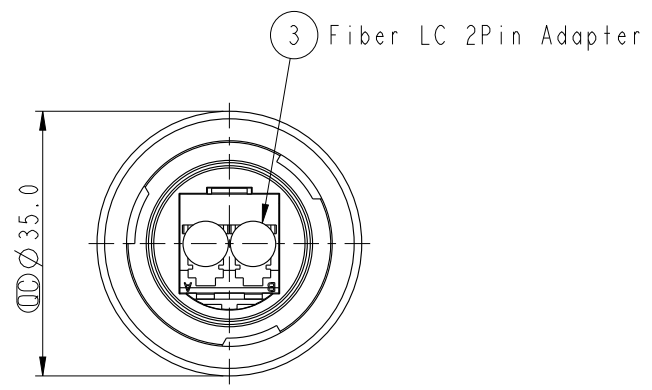


REV.	ECN NO.	DATE	SIGN	DESCRIPTION
A	Initial Releas	2012/12/19	Ruru	FB-00RLFJ-LC7001 To FB-00RLFJ-TC7001
B	LEN1330108	2013/03/27	Mila	Change Housing



- Note:
- * \varnothing Important Dimension.
 - * Waterproof Rate: IP67
 - * Nut: Nylon+GF UL94V-0, Black
 - * Housing: PPO UL94V-0, Black
 - * Fibre Adapter: LC 2P Adapter
 - * Gasket: Silicone UL94V-0, Gray
 - * For Panel Thickness Max 4.0mm
 - * Recommend Force : 8~10kg-cm

UNIT: mm		
TOLERANCE		
.X	±0.25	
.XX	±0.1	
.XXX	±0.05	
ANGLES	±1°	

TITLE OPTICAL FIBER PANEL TYPE 2PIN LC ADAPTER CONN.			
SCALE	SIZE	SHEET	OF
1:1	A4	1	1
REV.	WC-REV.	\varnothing : Inspection item	
B	B.2		

Amphenol LTW
安費諾亮泰企業股份有限公司

ITEM NO. FB-00RLFJ-TC7001	DRAWN BY Mila	DATE 2013-03-27
DWG NO. FB-00RLFJ-TC7001	CHECKED BY Jerry	DATE 2013-03-27
CUSTOMER ALTW	APPROVED BY Maslow	DATE 2013-03-27

THIS DOCUMENT IS SUBJECT TO CHANGE WITHOUT NOTICE. IT IS CONFIDENTIAL AND A PROPERTY OF AMPHENOL LTW. DISCLOSURE TO THIRD PARTY HAS TO BE AUTHORIZED BY AMPHENOL LTW.