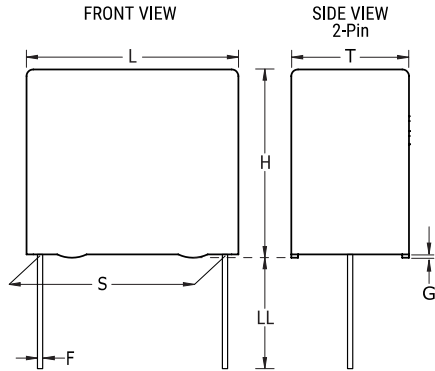


F881, Film, Metallized Polypropylene, Safety, 1000 pF, 20%, 300 VAC (Y2), 1000 VDC, 110°C, Lead Spacing = 7.5mm



General Information	
Series:	F881
Dielectric:	Metallized Polypropylene
Style:	Radial
Features:	MKP EMI Safety
RoHS:	Yes
Lead:	Wire Leads
Qualifications:	ENEC, UL, cUL, CQC
AEC-Q200:	No
Miscellaneous:	ClimCat: 40/110/56/C.
Shelf Life:	104 Weeks

Dimensions	
L	10mm -0.5mm
H	8mm -0.5mm
T	3mm -0.5mm
S	7.5mm +0.6/-0.1mm
H0	18.5mm +/-0.5mm
F	0.6mm +/-0.05mm
G	0.5mm NOM

Specifications	
Capacitance:	1000 pF
Capacitance Tolerance:	20%
Voltage AC:	300 VAC (Y2)
Voltage DC:	1000 VDC
Temperature Range:	-40/+110°C
Rated Temperature:	110°C
Dissipation Factor:	0.3% 1kHz
Insulation Resistance:	30 GOhms
Max dV/dt:	800 V/us
Safety Class:	Y2

Packaging Specifications	
Packaging:	T&R
Packaging Quantity:	2100