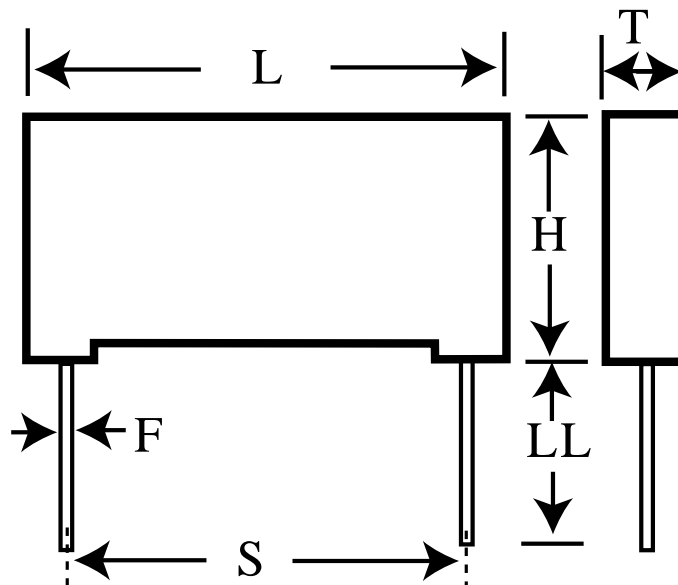


# PHE844RD6470MR06L2

aka F844DY474M440C PHE844RD6470MD19R06L2

Capacitor, film, 0.47 uF, +/-20% Tol, -40/+105C, Safety: X1, 440VAC,  
Lead Spacing=22.5 mm



## Dimensions (mm)

## Specifications

ID	Dimension	Tolerance	Manufacturer:	KEMET
L	26	max	Brand:	Rifa
H	24.5	max	Capacitance:	0.47 uF
T	15.5	max	Temperature Range:	-40/+105C
S	22.5	+/-0.4	Rated Temperature:	105C
LL	6	nom	Voltage @ rated temp:	1000V
F	0.8	nom	Voltage AC:	440VAC
			Tolerance:	+/-20%
			Body Type:	Radial Box
			Construction:	Wound
			Application:	Safety: X1
			Dissipation Factor @ 1 kHz:	0.1%
			Dissipation Factor @ 10 kHz:	0.4%
			Insulation Resistance:	21.28 GOhm
			Maximum dVdT:	100v/us
			UL_1414:	250V
			UL_1283:	480V
			IEC_60384-14:	440V
			EN_132400:	440V
			C_22.2_NO.1:	250V
			C_22.2_NO.8:	480V
			Miscellaneous Electrical:	PHE844
			Package Kind:	Bulk
			Package Type:	Tray
			Package Quantity:	176