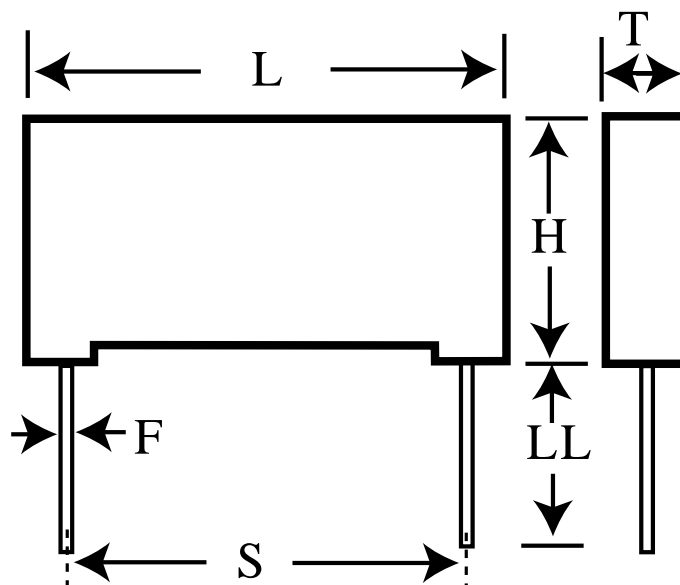


PHE841EB5680MR17T0

aka F841BQ683M330L PHE841EB5680MB11R17T0

Capacitor, film, 0.068 uF, +/-20% Tol, -40/+100C, Safety: X1, 330VAC, Lead Spacing=15 mm



Dimensions (mm)

Specifications

ID	Dimension	Tolerance
L	18	max
H	16	max
T	8.5	max
S	15	+/-0.4
LL	17	nom
F	0.8	nom

Manufacturer:	KEMET
Brand:	Rifa
Capacitance:	0.068 uF
Temperature Range:	-40/+100C
Rated Temperature:	100C
Voltage @ rated temp:	1000V
Voltage AC:	330VAC
Tolerance:	+/-20%
Body Type:	Radial Box
Construction:	Wound
Application:	Safety: X1
Dissipation Factor @ 1 kHz:	0.1%
Dissipation Factor @ 10 kHz:	0.2%
Dissipation Factor @ 100kHz:	0.6%
Insulation Resistance:	30 GOhm
Maximum dVdT:	100v/us
UL_1414:	250V
UL_1283:	330V
IEC_60384-14:	330V
EN_132400:	330V
C_22.2_NO.1:	250V
C_22.2_NO.8:	330V
Miscellaneous Electrical:	PHE841
Package Kind:	T&R
Package Size:	360mm
Package Quantity:	400