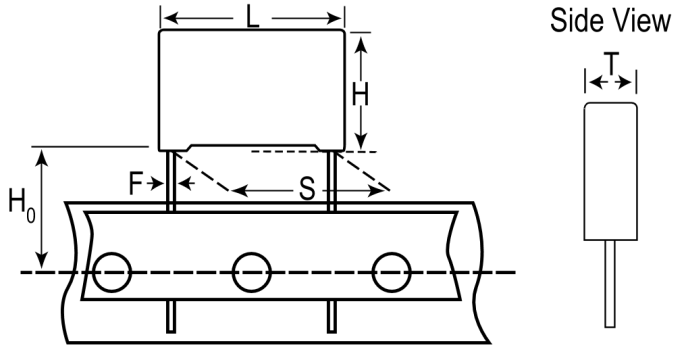


# PHE840EX6220MB06R17T0

Aliases (F840BL224M300L)

Not for New Design • Recommended Replacement Series R46 X2 310 VAC

PHE840E/F840, Film, Metallized Polypropylene, Safety, 0.22 uF, 20%, 760 VDC, 300 VAC (X2), 105°C, 15mm



General Information	
Series	PHE840E/F840
Dielectric	Metallized Polypropylene
Style	Radial
Features	EMI Safety
RoHS	Yes
Termination	Tinned Wire
Lead	Wire Leads
Safety Class	X2
Qualifications	ENEC, UL, cUL
AEC-Q200	No
Typical Component Weight	2.497 g
Notes	Not for new design - the replacement series is: R46 X2 310VAC.

Specifications	
Capacitance	0.22 uF
Capacitance Tolerance	20%
Voltage DC	760 VDC
Voltage AC	300 VAC (X2)
Temperature Range	-55/+105°C
Rated Temperature	105°C
Dissipation Factor	0.1% 1kHz, 0.4% 10kHz
Insulation Resistance	30 GOhms
Max dV/dt	100 V/us

Click [here](#) for the 3D model.

Dimensions	
L	18mm MAX
H	14.5mm MAX
T	7.5mm MAX
S	15mm +0.6/-0.1mm
H <sub>0</sub>	17mm NOM
F	0.8mm NOM

Packaging Specifications	
Packaging	T&R
Packaging Quantity	400

Statements of suitability for certain applications are based on our knowledge of typical operating conditions for such applications, but are not intended to constitute - and we specifically disclaim - any warranty concerning suitability for a specific customer application or use. This information is intended for use only by customers who have the requisite experience and capability to determine the correct products for their application. Any technical advice inferred from this information or otherwise provided by us with reference to the use of our products is given gratis, and we assume no obligation or liability for the advice given or results obtained.